

Air Reel CRARY

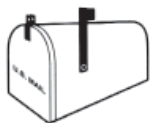
PARTS MANUAL

CASE IH

1010

1020

HOW TO REACH US



WWW.CRARY.COM

ADDRESS	HOURS	TELEPHONE FAX NUMBER	E-MAIL INTERNET
Crary Industries, Inc. 237 12 th St. NW West Fargo, ND 58078	Monday-Friday 8 am-5pm (CST)	Parts and Service Ph: 701.282.5520 • 800.247.7335 Fax: 701.282.9522	Email: service@crary.com • sales@crary.com Online: www.crary.com

PLEASE SEND US YOUR WARRANTY CARD

Please take time to fill in the information requested on the card. When you send in the completed card to us, we register your Air Reel and start coverage under our limited warranty.

Two serial number stickers are included with each Air Reel. The decals are located on the Air Reel manifold. One sticker is to be placed on the warranty registration card and mailed back to Crary Industries. The second sticker is to be placed in the owners manual for future reference.

BUSINESS REPLY MAIL
FIRST-CLASS MAIL PERMIT NO. 1508 WEST FARGO ND
POSTAGE WILL BE PAID BY ADDRESSEE

NO POSTAGE
NECESSARY
IF MAILED
IN THE
UNITED STATES

CRARY COMPANY
 PO BOX 849
 WEST FARGO ND 58078-9973

Limited Warranty Registration
PLEASE PRINT OR TYPE

Name	Model Number	Your new Crary Ag Product is covered by a limited warranty. To initiate the warranty, this form MUST be completed and returned to CRARY Co. within 10 days of purchase.
Street Address	Serial Number	
City, State, Zip	Dealership Name	
Telephone Number	Street Address	
Telephone Number	City, State, Zip	
PRODUCT Finger Air Reel <input type="checkbox"/> Big Top <input type="checkbox"/> Cyclone (Chaff Spreader) <input type="checkbox"/> HYDRA-Sprayer <input type="checkbox"/> Leveling Auger <input type="checkbox"/>	Telephone Number	
Combine Information <input type="checkbox"/> John Deere <input type="checkbox"/> Case IH Header Width: _____ <input type="checkbox"/> New Holland Header Year: _____ <input type="checkbox"/> AGCO	Purchase Date: ____/____/____	Part # 12644

PARTS ORDERING INFORMATION

For service assistance or parts, contact your nearest authorized Crary dealer . Your nearest authorized Crary dealer will need to know the serial number of your Air Reel to provide the most efficient service. See below for information on how to identify and record the serial number for your Air Reel.

ILLUSTRATION AND TEXT

The arrangement of this parts catalog is for easy identification of the Air Reel parts. All parts are illustrated in either assembled or exploded views. All illustrations are located on the left hand page with the associated parts information (text) on the right. Except for some common hardware, all parts are identified with an item number which corresponds to the "Item" column on the parts information page. The text pages list the reference number, part number, part description and the quantity required.

REPLACEMENT PARTS

Only genuine Crary replacement parts should be used to repair the Air Reel. Crary replacement parts are available from your Crary Dealer. To obtain prompt, efficient service, remember to give the dealer the correct part description and serial number of the Air Reel.

When ordering parts for your unit provide the following:

1. The SERIAL NUMBER of your Air Reel.
2. The PART NUMBER of the part.
3. The PART DESCRIPTION.
4. The QUANTITY needed.

WARNING

We urge using only genuine replacement parts, which meet all the latest requirements. Replacement parts manufactured by others could present safety hazards, even though they may fit on this unit.

SERIAL NUMBER LOCATION

Always give your authorized Crary dealer the serial number of your Air Reel when ordering parts, requesting service, or any other information. Please record the serial number in the space provided below and on the warranty and registration card.

Serial Number _____

MANUFACTURED BY CRARY INDUSTRIES
WEST FARGO, NORTH DAKOTA 58078 U.S.A.
SERIAL NUMBER
MANUFACTURED IN U.S.A.



Figure 1, Serial number location

Figure 2, Serial number decal

Contents

SECTION

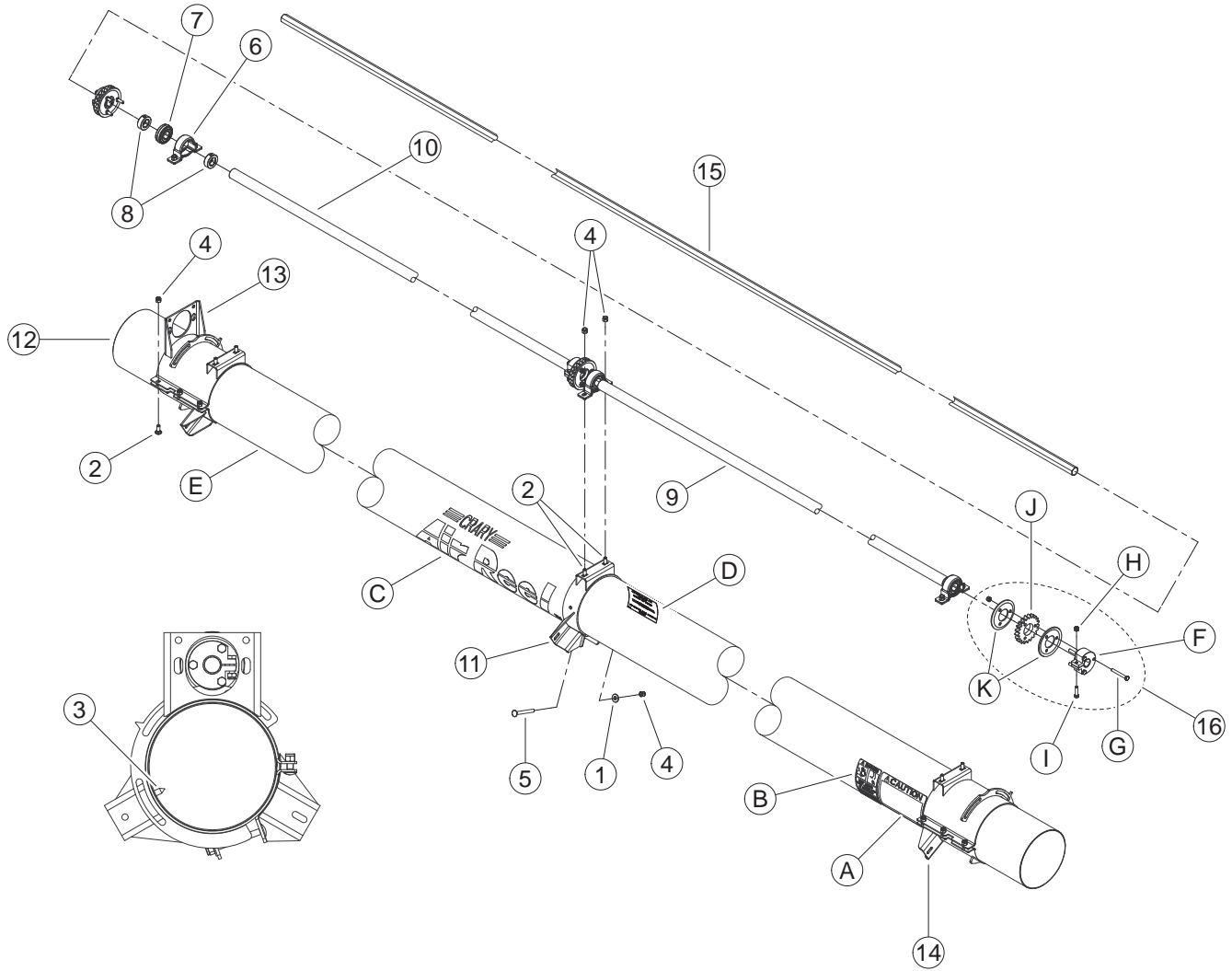
PAGE

AIR MANIFOLD	2
BAT TUBE/REEL TINE	22
DECALS	57
DRIVELINE/C FLANGE ASSEMBLY	52
ECCENTRIC ARM ASSEMBLY	26
ECCENTRIC ARM/HYD. MOTOR	24
ECCENTRIC MOUNT ASSEMBLY	13
ECCENTRIC MOUNT PLATE/ROLLER	14
FAN HOSE ASSEMBLY	32
GEARBOX/FAN	34
GEARBOX MOUNT KIT	40
GEARBOX REPLACEMENT PARTS	38
IDLER GEAR AND AIR TUBE	10
REEL ARM MOUNT	28
REEL BAT ARM	12
REEL BAT ASSEMBLY	16
RH DRIVE KIT	44
SWITCH/MOUNT PLATE	33
TORQUE LIMITER, AUGER DRIVESHAFT	56
OPTIONS	59
KIT, AUXILIARY REEL TINE	62
KIT, GEARBOX/FAN EXTENSION	60
KIT, NEUTRAL DRIVE SHAFT	63
KIT, SCREEN ELBOW	65
STATIC PRESSURE GAGE	64
PARTS INDEX	67



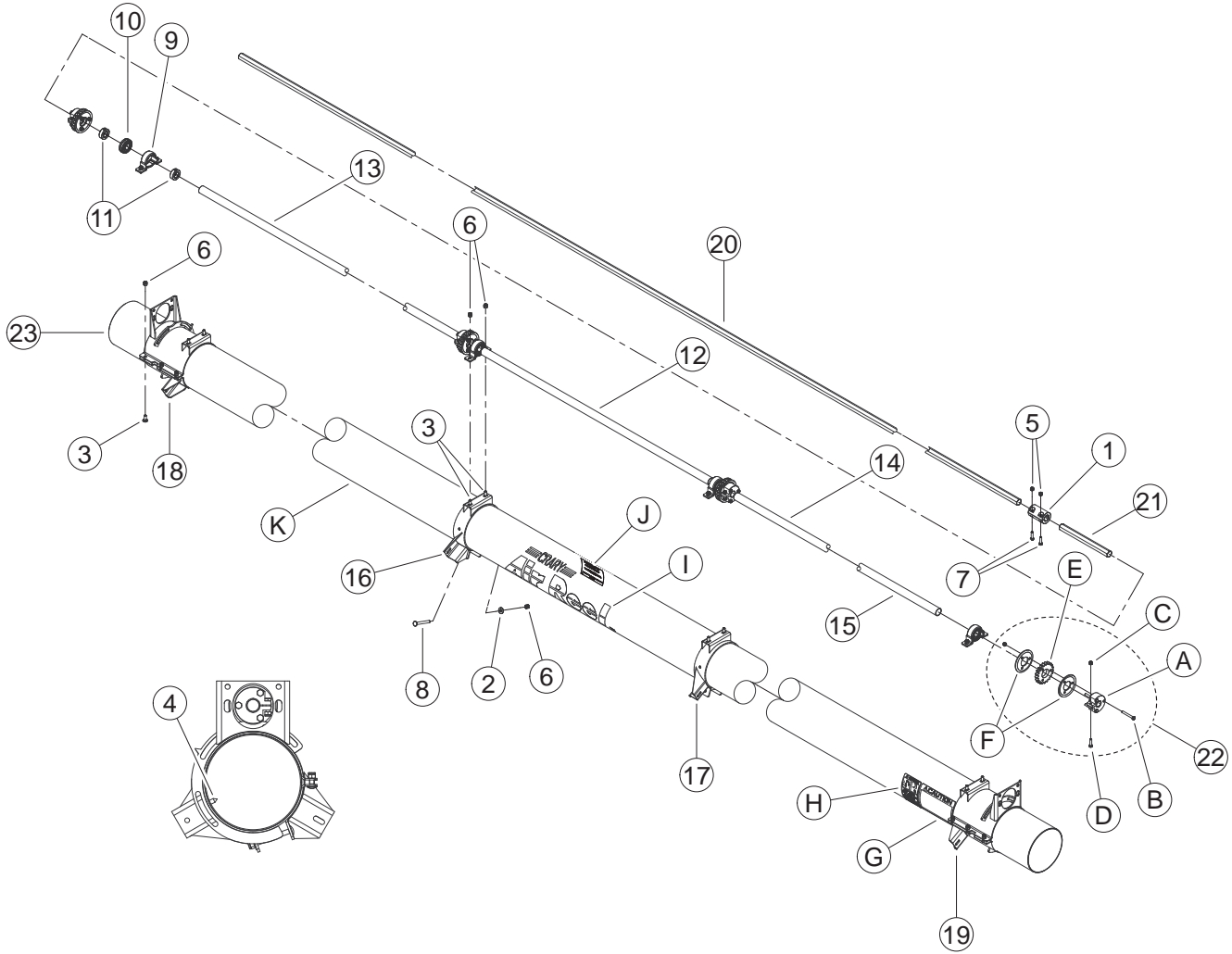
Parts Catalog Air Reel

Case IH Headers 1010, 1020

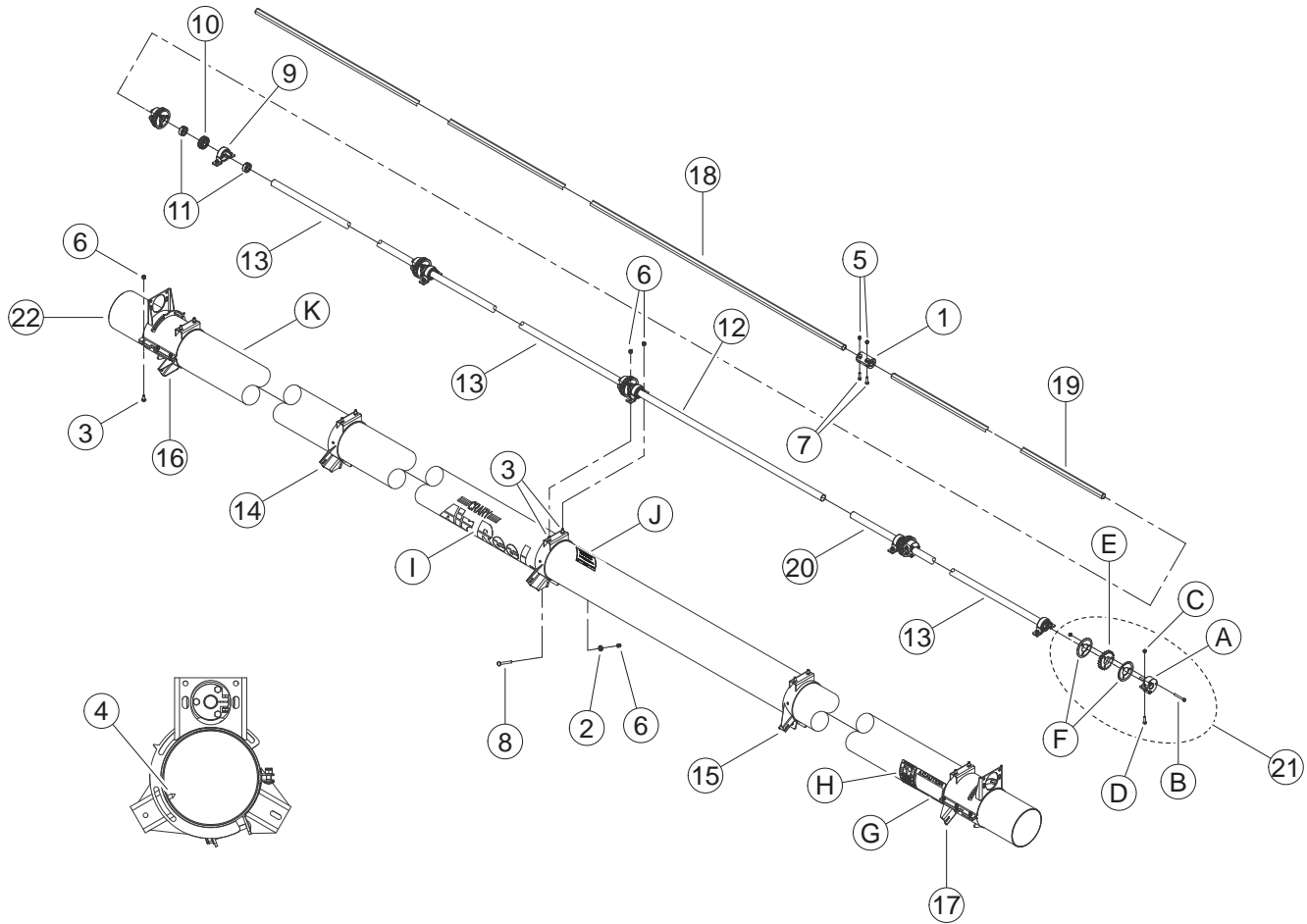


ASSEMBLY, AIR MANIFOLD 15FT. (22392)			
ITEM	PART NUMBER	DESCRIPTION	QTY
1	15031	WASHER, 3/8 FLAT ZP	1
2	15057	BOLT, 3/8 X 1 CRG GR5 NC ZP	12
3	15176	SCREW, 11/32 X 7/8 HWH AB THREAD ZP	3
4	15388	NUT, 3/8 NE NYLOCK ZP	13
5	15486	BOLT, 3/8 X 3-1/2 CRG GR5 NC ZP	1
6	17406	PILLOWBLOCK, STAMPED STEEL	3
7	17407	BEARING, 1" HEX INSERT	3
8	17444	COLLAR, SET 1" HEX	2
9	22181	SHIELD, DRIVE SHAFT (79.38")	1
10	22192	SHIELD, DRIVE SHAFT (70.00")	1
11	22364	WELDMENT, IDLER MT. CLAMP(RH)	1
12	54061-00	ASSY', 15 FT. MANIFOLD (INCLUDES A-E)	1
A	11001	DECAL, CAUTION	1
B	11002	DECAL, WARNING	1
C	11012	DECAL, CRARY AIR REEL	1
D	17224	DECAL, CENTER MANIFOLD DIRECTION	1
E	24268-12	MANIFOLD, F.A.R. (15 FT.)	1
	16722	STRIPING, AIR REEL	6.5 FT.
13	24910-12	WELDMENT, RH END CLAMP (W/MOTOR MT.)	1
14	24917-12	WELDMENT, LH END CLAMP	1
15	25569-00	SHAFT, REEL DRIVE (167.67")	1
16	25760-00	ASSEMBLY, HUB/PINION GEAR (INCLUDES F-K)	3
F	13768-00	HUB, PINION GEAR	1
G	15154	BOLT, 5/16 X 2-1/2 HEX HD GR5 ZP	3
H	15356	NUT, 5/16 NE NYLOCK ZP	4
I	15436	BOLT, 5/16 X 1-1/4 HHCS GR5 NC ZP	1
J	17703	IDLER GEAR, 1.575 BORE	1
K	25658-12	RING, PINION RETAINER	2

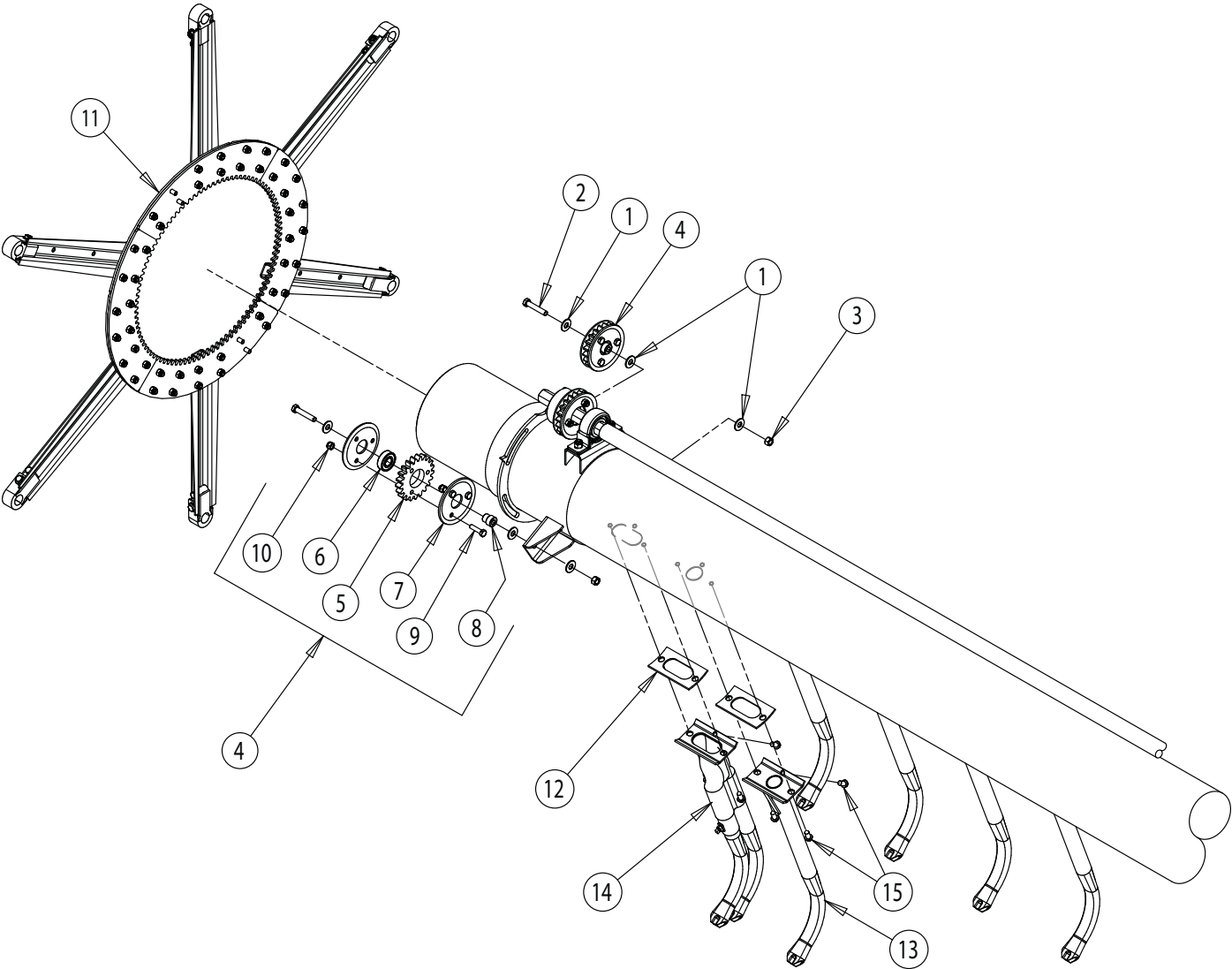
ASSEMBLY, AIR MANIFOLD					
ITEM	PART NUMBER	DESCRIPTION	22394 16.5 FT. QTY	22395 17.5 FT. QTY	22397 20 FT. QTY
1	15031	WASHER, 3/8 FLAT ZP	2	2	2
2	15057	BOLT, 3/8 X 1 CRG GR5 NC ZP	14	14	14
3	15176	SCREW, 11/32 X 7/8 HWH AB THREAD ZP	4	4	4
4	15388	NUT, 3/8 NE NYLOCK ZP	16	16	16
5	15486	BOLT, 3/8 X 3-1/2 CRG GR5 NC ZP	2	2	2
6	17406	PILLOWBLOCK, STAMPED STEEL	4	4	4
7	17407	BEARING, 1" HEX INSERT	4	4	4
8	17444	COLLAR, SET 1" HEX	2	2	2
9	22185	SHIELD, DRIVE SHAFT (59.50")	1	1	1
10	22184	SHIELD, DRIVE SHAFT (52.75")	1		
	22179	SHIELD, DRIVE SHAFT (62.25")		1	1
11	22184	SHIELD, DRIVE SHAFT (52.75")	1	1	
	22188	SHIELD, DRIVE SHAFT (82.50")			1
12	22364	WELDMENT, IDLER MT. CLAMP (RH)	1	1	1
13	22365	WELDMENT, IDLER MT. CLAMP (LH)	1	1	1
14	24910-12	WELDMENT, RH END CLAMP (W/MOTOR MT.)	1	1	1
15	24917-12	WELDMENT, LH END CLAMP	1	1	
	24975-12	WELDMENT, LH END CLAMP (W/MOTOR MT.)			1
16	25567-00	SHAFT, REEL DRIVE (187.35")	1		
	25566-00	SHAFT, REEL DRIVE (197.20")		1	
	25564-00	SHAFT, REEL DRIVE (226.67")			1
17	25760-00	ASSEMBLY, HUB/PINION GEAR (INCLUDES A-F)	4	4	4
A	13768-00	HUB, PINION GEAR	1	1	1
B	15154	BOLT , 5/16 X 2-1/2 HEX HD GR5 ZP	3	3	3
C	15356	NUT, 5/16 NE NYLOCK ZP	4	4	4
D	15436	BOLT, 5/16 X 1-1/4 HHCS GR5 NC ZP	1	1	1
E	17703	IDLER GEAR, 1.575 BORE	1	1	1
F	25658-12	RING, PINION RETAINER	2	2	2
18	54063-00	ASSY', 16.5 FT. MANIFOLD (INCLUDES G-K)	1		
	54064-00	ASSY', 17.5 FT. MANIFOLD (INCLUDES G-K)		1	
	54066-00	ASSY', 20 FT. MANIFOLD (INCLUDES G-K)			1
G	11001	DECAL, CAUTION	1	1	1
H	11002	DECAL, WARNING	1	1	1
I	11012	DECAL, CRARY AIR REEL	1	1	1
J	17224	DECAL, CENTER MANIFOLD DIRECTION	1	1	1
K	24269-12	MANIFOLD, F.A.R. (16 FT.)	1		
	24272-12	MANIFOLD, F.A.R. (18 FT.)		1	
	24273-12	MANIFOLD, F.A.R. (20 FT.)			1



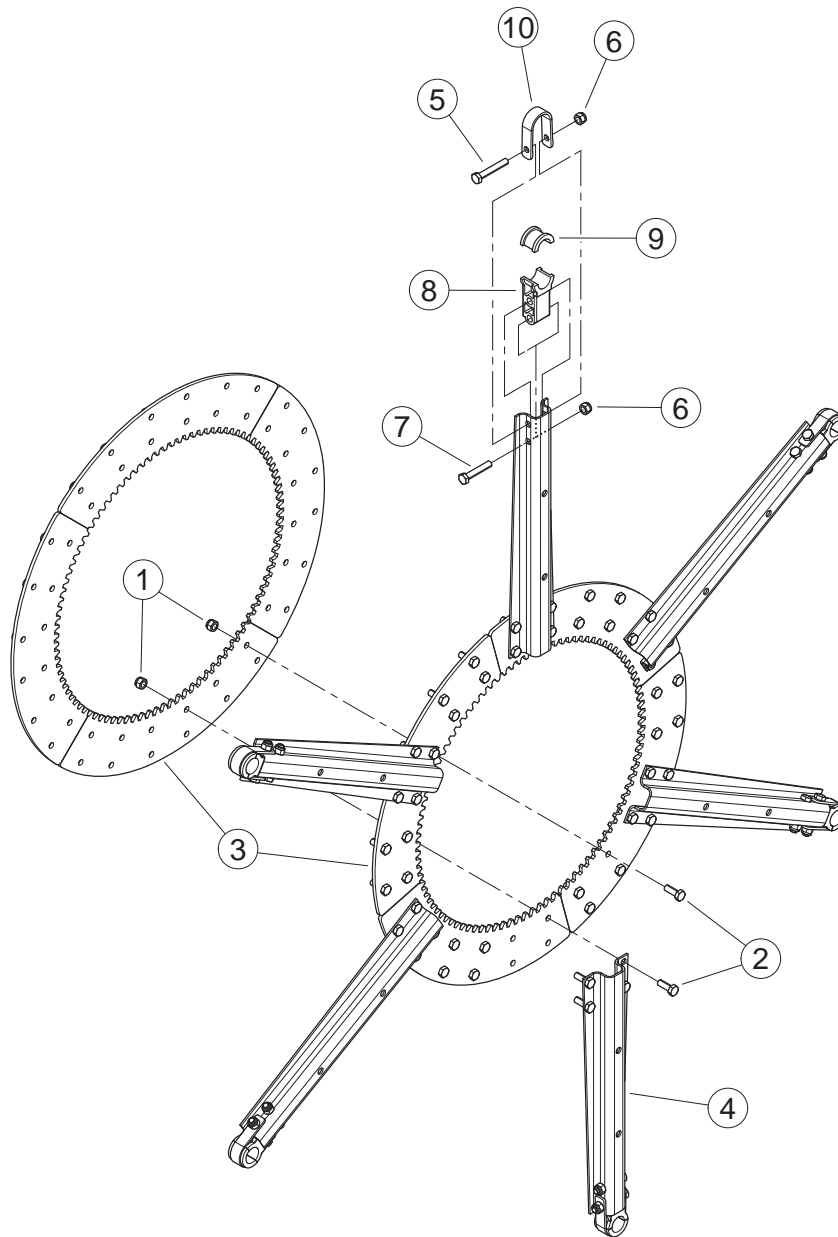
ASSEMBLY, AIR MANIFOLD				
ITEM	PART NUMBER	DESCRIPTION	22399 22.5 FT. QTY	22402 25 FT. QTY
1	14022-00	COUPLER, 1" HEX SHAFT	1	1
2	15031	WASHER, 3/8 FLAT ZP	2	2
3	15057	BOLT, 3/8 X 1 CRG GR5 NC ZP	14	14
4	15176	SCREW, 11/32 X 7/8 HWH AB THREAD ZP	4	4
5	15356	NUT, 5/16 NE NYLOCK ZP	2	2
6	15388	NUT, 3/8 NE NYLOCK ZP	16	16
7	15436	BOLT, 5/16 X 1-1/4 HHCS GR5 NC ZP	2	2
8	15486	BOLT, 3/8 X 3-1/2 CRG GR5 NC ZP	2	2
9	17406	PILLOWBLOCK, STAMPED STEEL	4	4
10	17407	BEARING, 1" HEX INSERT	4	4
11	17444	COLLAR, SET 1" HEX	2	2
12	22185	SHIELD, DRIVE SHAFT (59.50")	1	
	22374	SHIELD, DRIVE SHAFT (86.25")		1
13	22189	SHIELD, DRIVE SHAFT (92.00")	1	1
14	22192	SHIELD, DRIVE SHAFT (70.00")	1	
	25580-00	SHIELD, DRIVE SHAFT (43.75")		1
15	25576-00	SHIELD, DRIVE SHAFT (8.75")	1	
	25580-00	SHIELD, DRIVE SHAFT (43.75")		1
16	22364	WELDMENT, IDLER MT. CLAMP (RH)	1	1
17	22365	WELDMENT, IDLER MT. CLAMP (LH)	1	1
18	24910-12	WELDMENT, RH END CLAMP (W/MOTOR MT.)	1	1
19	24917-12	WELDMENT, LH END CLAMP	1	1
20	25563-00	SHAFT, REEL DRIVE (239.54")	1	1
21	25574-00	SHAFT, REEL DRIVE (16.69")	1	
	25571-00	SHAFT, REEL DRIVE (52.50")		1
22	25760-00	ASSEMBLY, HUB/PINION GEAR	4	4
A	13768-00	HUB, PINION GEAR	1	1
B	15154	BOLT, 5/16 X 2-1/2 HEX HD GR5 ZP	3	3
C	15356	NUT, 5/16 NE NYLOCK ZP	4	4
D	15436	BOLT, 5/16 X 1-1/4 HHCS GR5 NC ZP	1	1
E	17703	IDLER GEAR, 1.575 BORE	1	1
F	25658-12	RING, PINION RETAINER	2	2
23	54068-00	ASSY, 22 FT. MANIFOLD	1	
	54071-00	ASSY, 25 FT. MANIFOLD - LONG		1
G	11001	DECAL, CAUTION	1	1
H	11002	DECAL, WARNING	1	1
I	11012	DECAL, CRARY AIR REEL	1	1
J	17224	DECAL, CENTER MANIFOLD DIRECTION	1	1
K	24275-12	MANIFOLD, F.A.R. (22.5 FT.)	1	
	24278-12	MANIFOLD, F.A.R. (25 FT.JD,CIH,DAC)		1



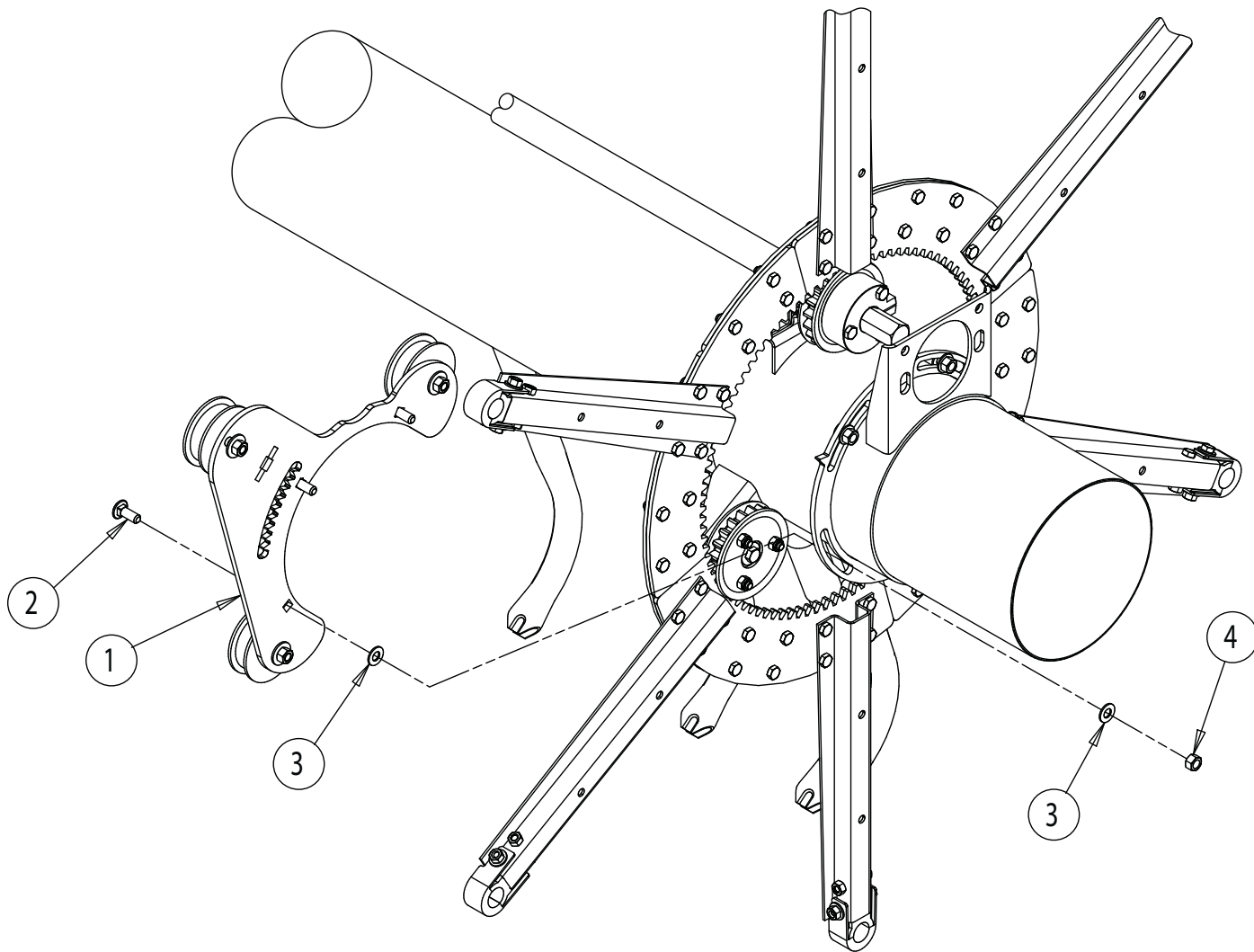
ASSEMBLY, AIR MANIFOLD			
ITEM	PART NUMBER	DESCRIPTION	27134-00 30 FT. - L (600 SERIES) QTY
1	14022-00	COUPLER, 1" HEX SHAFT	1
2	15031	WASHER, 3/8 FLAT ZP	3
3	15057	BOLT, 3/8 X 1 CRG GR5 NC ZP	16
4	15176	SCREW, 11/32 X 7/8 HWH AB THREAD ZP	5
5	15356	NUT, 5/16 NE NYLOCK ZP	2
6	15388	NUT, 3/8 NE NYLOCK ZP	19
7	15436	BOLT, 5/16 X 1-1/4 HHCS GR5 NC ZP	2
8	15486	BOLT, 3/8 X 3-1/2 CRG GR5 NC ZP	3
9	17406	PILLOWBLOCK, STAMPED STEEL	5
10	17407	BEARING, 1" HEX INSERT	5
11	17444	COLLAR, SET 1" HEX	2
12	27139-00	SHIELD, DRIVE SHAFT (18.25")	1
13	22181	SHIELD, DRIVE SHAFT (79.38")	1
14	22364	WELDMENT, IDLER MT. CLAMP (RH)	2
15	22365	WELDMENT, IDLER MT. CLAMP (LH)	1
16	24910-12	WELDMENT, RH END CLAMP (W/MOTOR MT.)	1
17	24975-12	WELDMENT, LH END CLAMP (W/MOTOR MT.)	1
18	25563-00	SHAFT, REEL DRIVE (239.54")	1
19	27138-00	SHAFT, REEL DRIVE (112.06")	1
20	22185	SHIELD, DRIVE SHAFT(59.50")	1
21	25760-00	ASSEMBLY, HUB/PINION GEAR	5
A	13768-00	HUB, PINION GEAR	1
B	15154	BOLT, 5/16 X 2-1/2 HEX HD GR5 ZP	3
C	15356	NUT, 5/16 NE NYLOCK ZP	4
D	15436	BOLT, 5/16 X 1-1/4 HHCS GR5 NC ZP	1
E	17703	IDLER GEAR, 1.575 BORE	1
F	25658-12	RING, PINION RETAINER	2
22	54073-00	ASSY', 30 FT. MANIFOLD - LONG	1
G	11001	DECAL, CAUTION	1
H	11002	DECAL, WARNING	1
I	11012	DECAL, CRARY AIR REEL	1
J	17224	DECAL, CENTER MANIFOLD DIRECTION	1
K	27130-12	MANIFOLD, F.A.R. (30FT.-L)	1



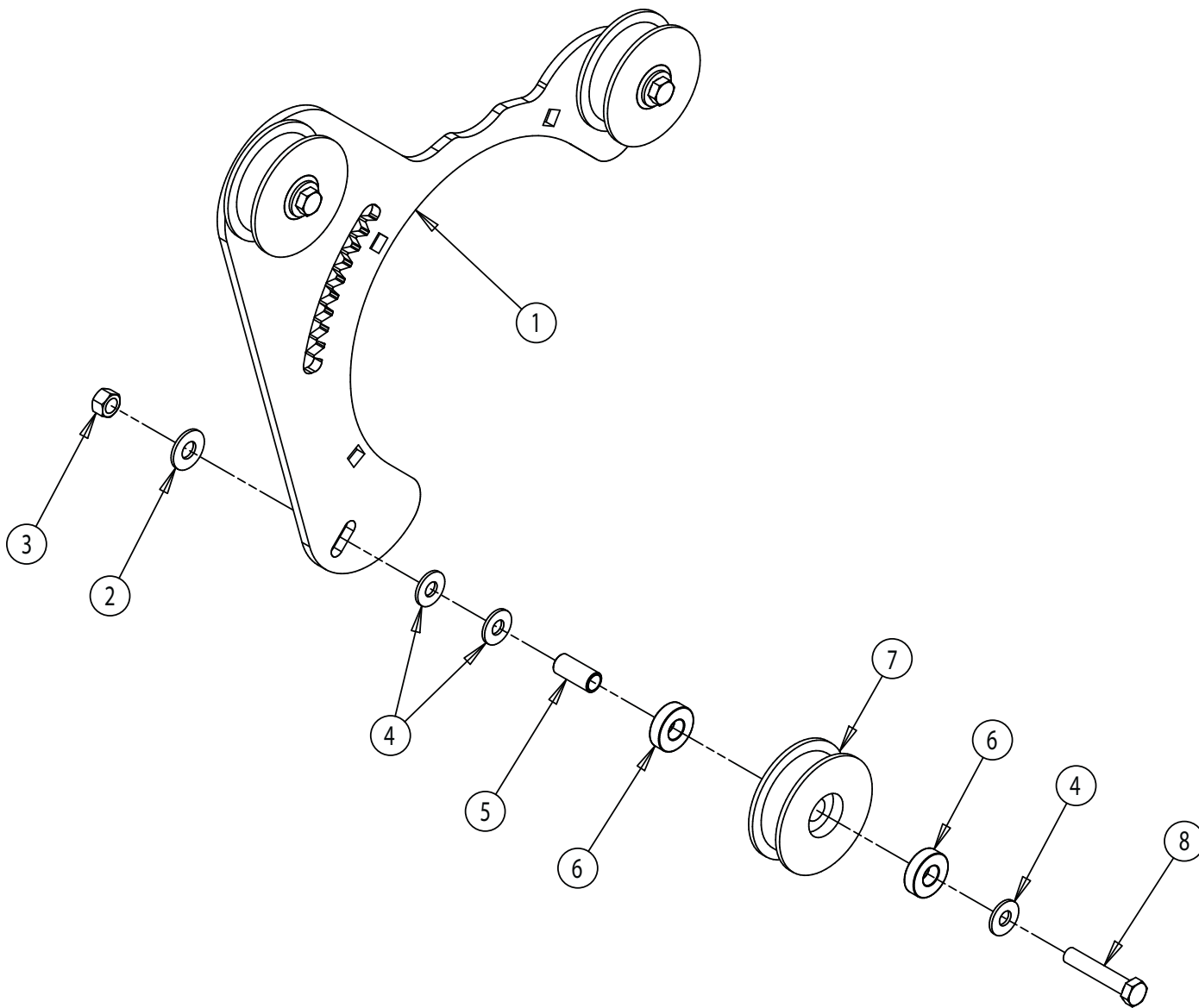
ASSEMBLY, IDLER GEAR AND AIR TUBE										
ITEM	PART NUMBER	DESCRIPTION	22600 15 FT. QTY	22602 16.5 FT. QTY	22603 17.5 FT. QTY	22605 20 FT. QTY	22607 22.5 FT. QTY	22609 25 FT. QTY	22419 30 FT. QTY	22612 30 FT. QTY
1	15031	WASHER, 3/8" FLAT ZP	18	24	24	24	24	24	30	30
2	15008	BOLT, 3/8" X 2" HHCS GR5 ZP	6	8	8	8	8	8	10	10
3	15047	NUT, 3/8" CENTERLOCK ZP	6	8	8	8	8	8	10	16
4	22164	ASSEMBLY, IDLER GEAR (INCLUDES ITEMS 5-10)	6	8	8	8	8	8	10	10
5	17703	GEAR, IDLER, 1.575" BORE	1	1	1	1	1	1	1	1
6	17669	BEARING, RADIAL 17MM	1	1	1	1	1	1	1	1
7	53626-12	RING, PINION RETAINER	2	2	2	2	2	2	2	2
8	17670	ADAPTOR, SHOULDER BORE	1	1	1	1	1	1	1	1
9	15436	BOLT, 5/16" X 1-142" HHCS NC GR5 ZP	3	3	3	3	3	3	3	3
10	15356	NUT, 5/16" NE NYLOCK ZP	3	3	3	3	3	3	3	3
11	22346	ASSEMBLY, REEL BAT ARM, 6 BAT (SEE PAGE 12)	3	4	4	4	4	4	5	5
12	17313	SEAL, FOAM, AIR TUBE	17	19	20	23	26	29	35	36
13	22153	WELDMENT, AIR TUBE	15	17	18	21	24	27	33	34
14	22405	ASSEMBLY, DOUBLE AIR TUBE WELDMENT	2	2	2	2	2	2	2	2
15	15176	SCREW, 11/32" X 7/8" HWH AB THREAD ZP	51	57	60	69	78	87	105	108



ASSEMBLY, REEL BAT ARM			
ITEM	PART NUMBER	DESCRIPTION	QTY
	22346	ASSEMBLY, 6 BAT REEL BAT ARM (INCLUDES ITEMS 1 - 4)	1
1	15356	NUT, 5/16 NE NYLOCK ZP	44
2	15396	BOLT, 5/16 X 7/8 HEX GR5 NC ZP	44
3	17634	SECTION, INTERNAL GEAR	8
4	21550-12	ARM, REEL ECCENTRIC	6
5	15140	BOLT, 5/16 X 2 HEX GR5 ZP	6
6	15356	NUT, 5/16 NE NYLOCK ZP	12
7	15403	BOLT, 5/16-18 X 1-3/4 HEX GR5 ZP	6
8	17404	BEARING BASE, PLASTIC	6
9	17622	CAP, BEARING	6
10	54829-00	U-CLIP, BEARING	6

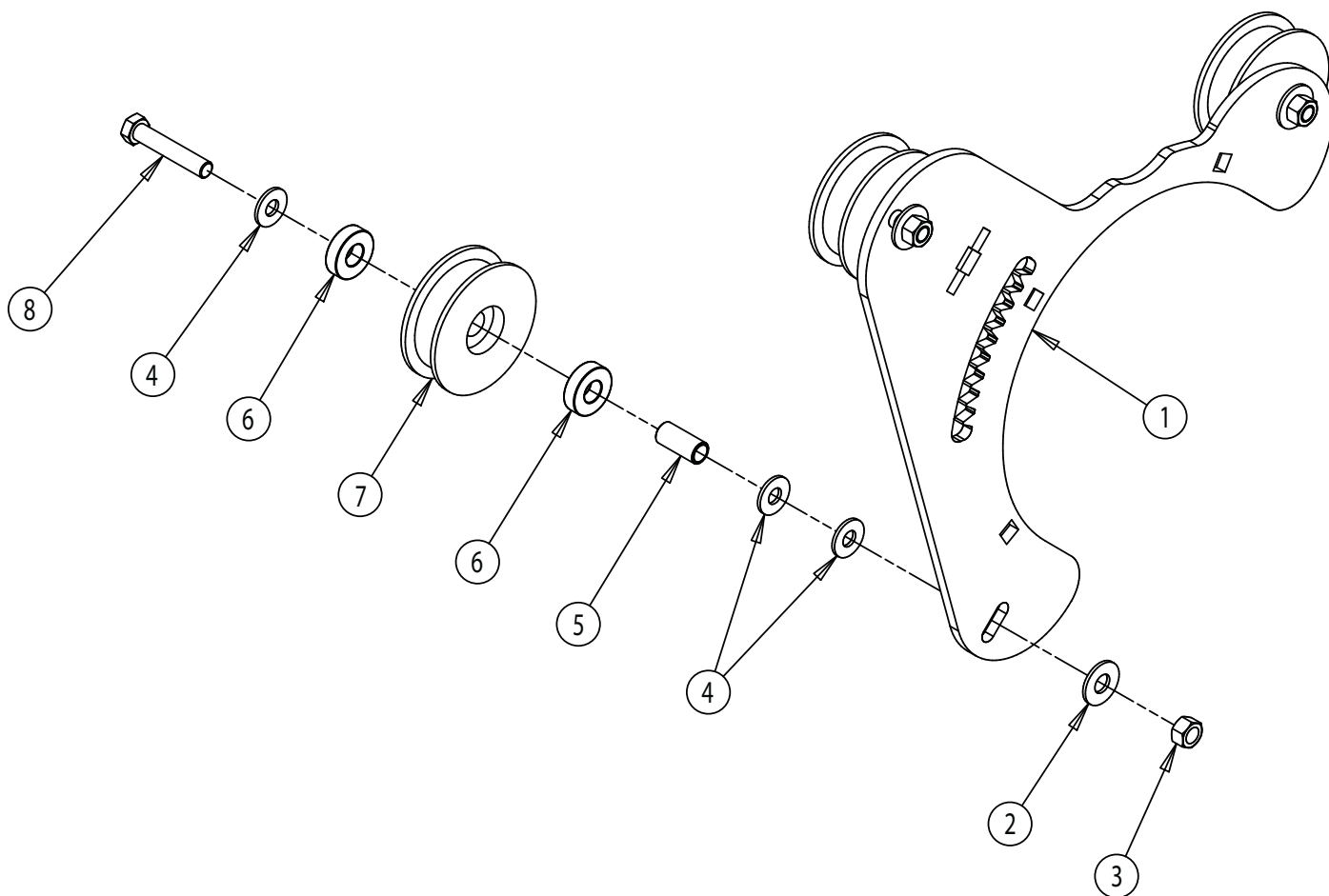


ASSEMBLY, BAT & ECCENTRIC MOUNT			
ITEM	PART NUMBER	DESCRIPTION	QTY
1	24919	ASSEMBLY, ECCENTRIC MOUNT PLATE/ROLLER, RIGHT HAND (SEE PAGE 15)	1
	24920	ASSEMBLY, ECCENTRIC MOUNT PLATE/ROLLER, LEFT HAND (NOT SHOWN) (SEE PAGE 14)	1
2	15057	BOLT, 3/8" X 1" CARRIAGE NC GR5 ZP	6
3	15260	WASHER, 3/8" SAE FLAT ZP	12
4	15047	NUT, 3/8" CENTERLOCK ZP	6

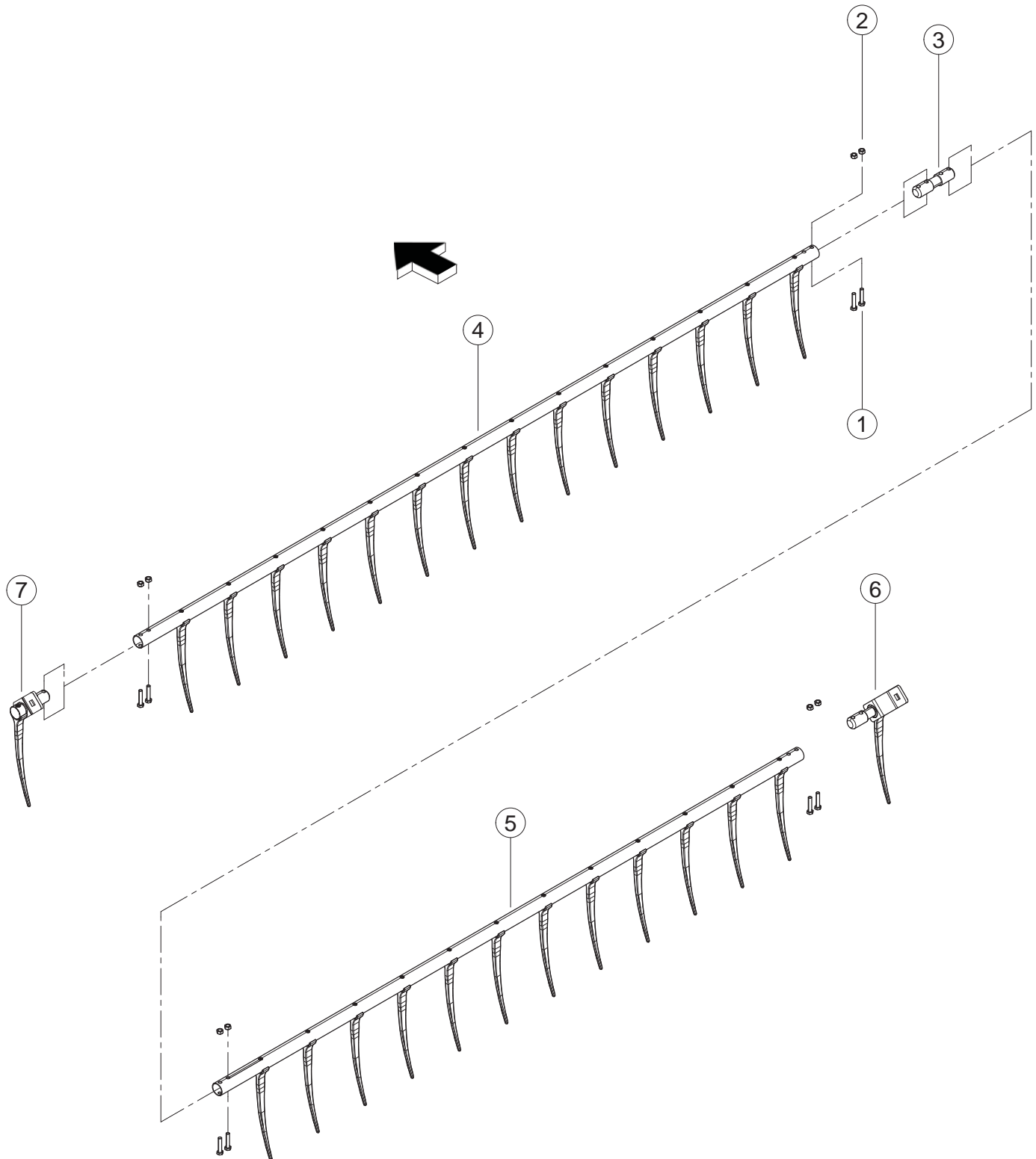


ASSEMBLY, ECCENTRIC MOUNT PLATE/ROLLER (LEFT HAND) (24920)

ITEM	PART NUMBER	DESCRIPTION	QTY
1	24905-12	PLATE, ECCENTRIC ROLLER MOUNT	1
2	15031	WASHER, 3/8" FLAT ZP	3
3	15047	NUT, 3/8" CENTERLOCK ZP	3
4	15250	WASHER, 5/16" FLAT ZP	9
5	21588	BUSHING, ROLLER	3
6	17629	BEARING, RADIAL	6
7	21797	ROLLER, PLASTIC, 3" SM, VIRGIN UHMW	3
8	0103-0711-00	BOLT, 3/8" NC X 2-1/4 GR5 HEX ZP	3


ASSEMBLY, ECCENTRIC MOUNT PLATE/ROLLER (RIGHT HAND) (24919)

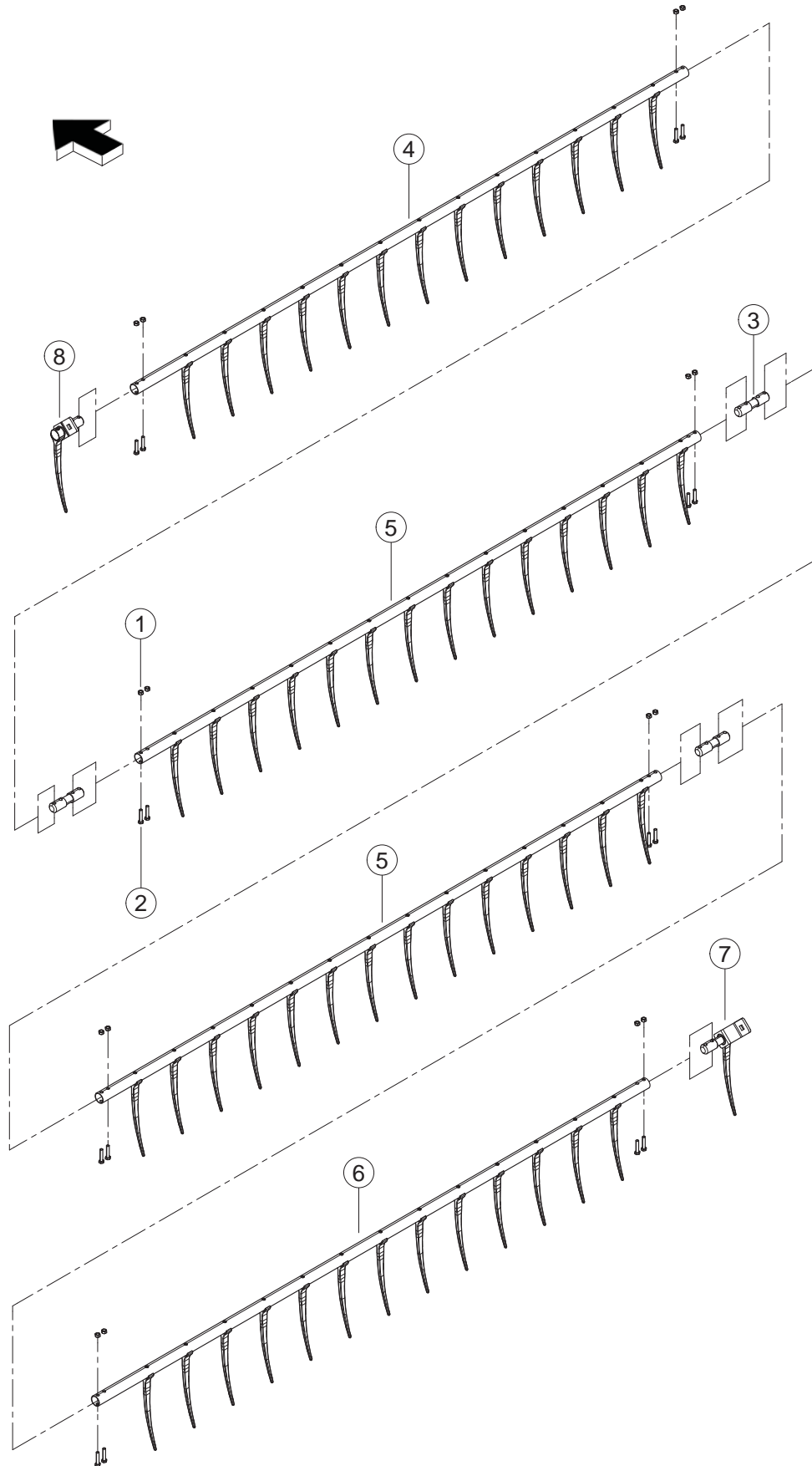
ITEM	PART NUMBER	DESCRIPTION	QTY
1	24905-12	PLATE, ECCENTRIC ROLLER MOUNT	1
2	15031	WASHER, 3/8" FLAT ZP	3
3	15047	NUT, 3/8" CENTERLOCK ZP	3
4	15250	WASHER, 5/16" FLAT ZP	9
5	21588	BUSHING, ROLLER	3
6	17629	BEARING, RADIAL	6
7	21797	ROLLER, PLASTIC, 3/8" SM, VIRGIN UHMW	3
8	0103-0711-00	BOLT, 3/8" NC X 2-1/4 GR5 HEX ZP	3



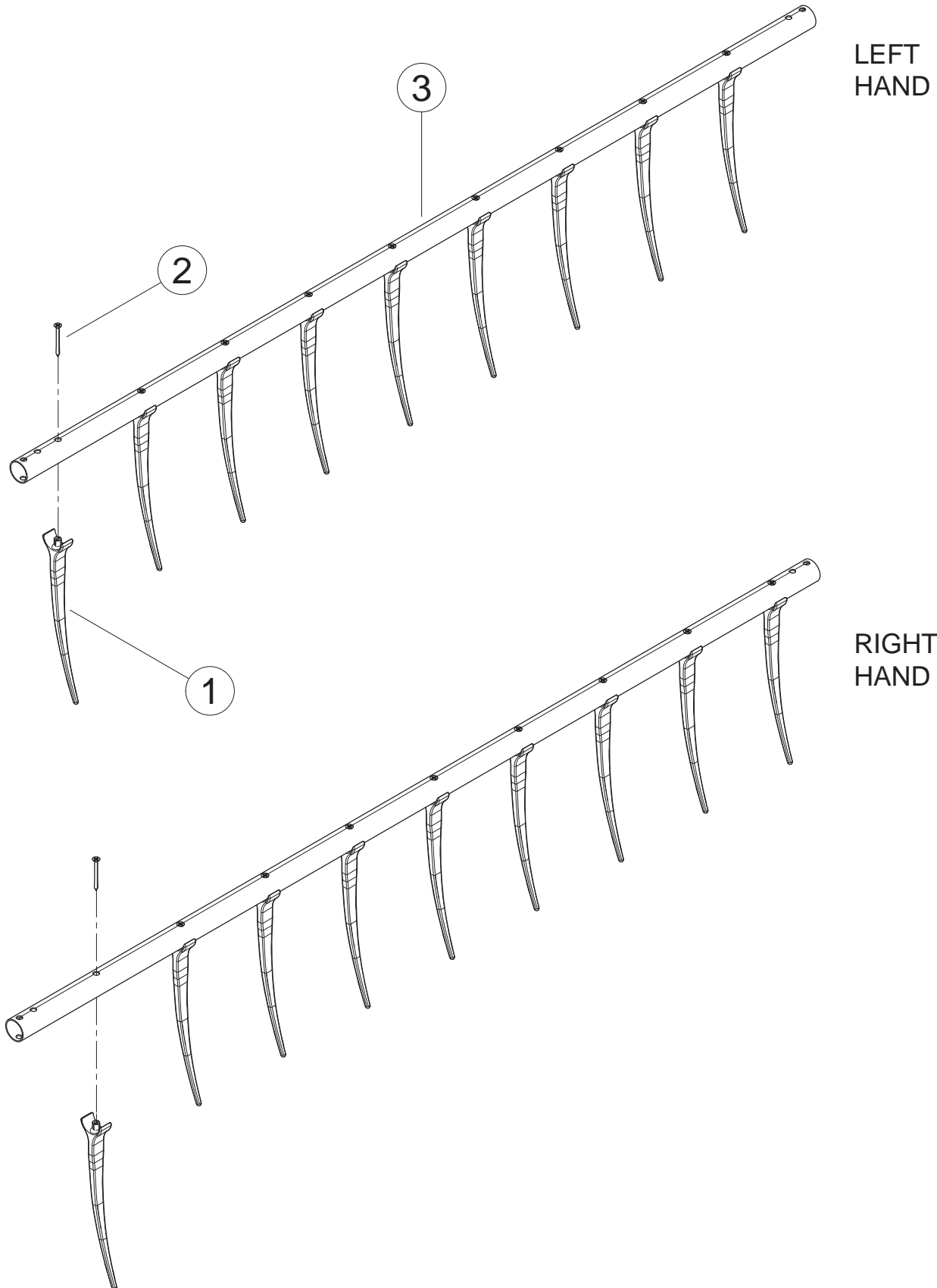
REEL BAT 15 FT.				
ITEM	PART NUMBER	DESCRIPTION	RH 53454 QTY	LH 53455 QTY
1	15178	NUT, 5/16 CENTERLOCK	12	12
2	15282	BOLT, 5/16 X 1-1/2 HEX	12	12
3	27175-00	SHAFT, BAT SPLICE	1	1
4	53440-00	ASSY', RH BAT TUBE/REEL TINE (86")	1	
	53441-00	ASSY', LH BAT TUBE/REEL TINE (86")		1
5	53434-00	ASSY', RH BAT TUBE/REEL TINE (74")	1	
	53435-00	ASSY', LH BAT TUBE/REEL TINE (74")		1
6	53586-00	ASSY', RH END SHAFT PIVOT	1	1
7	53587-00	ASSY', LH END SHAFT PIVOT	1	1

REEL BAT (16.5 FT. THRU 20 FT.)								
ITEM	PART NUMBER	DESCRIPTION	16.5 FT.		17.5 FT.		20 FT.	
			RH 53458 QTY	LH 53459 QTY	RH 53460 QTY	LH 53461 QTY	RH 53464 QTY	LH 53465 QTY
1	15178	NUT, 5/16 CENTERLOCK	12	12	12	12	12	12
2	15282	BOLT, 5/16 X 1-1/2 HEX	12	12	12	12	12	12
3	27175-00	SHAFT, BAT SPLICE	2	2	2	2	2	2
4	53424-00	ASSY', RH BAT TUBE/REEL TINE (56")	1		1			
	53425-00	ASSY', LH BAT TUBE/REEL TINE (56")		1		1		
	53440-00	ASSY', RH BAT TUBE/REEL TINE (86")					1	
	53441-00	ASSY', LH BAT TUBE/REEL TINE (86")						1
5	53428-00	ASSY', RH BAT TUBE/REEL TINE (65")	1		1		1	
	53429-00	ASSY', LH BAT TUBE/REEL TINE (65")		1		1		1
6	53424-00	ASSY', RH BAT TUBE/REEL TINE (56")	1					
	53425-00	ASSY', LH BAT TUBE/REEL TINE (56")		1				
	53430-00	ASSY', RH BAT TUBE/REEL TINE (66")			1		1	
	53431-00	ASSY', LH BAT TUBE/REEL TINE (66")				1		1
7	53586-00	ASSY', RH END SHAFT PIVOT	1	1	1	1	1	1
8	53587-00	ASSY', LH END SHAFT PIVOT	1	1	1	1	1	1

REEL BAT (22.5 FT. & 25 FT.)						
ITEM	PART NUMBER	DESCRIPTION	22.5 FT.		25 FT.	
			RH 53468 QTY	LH 53469 QTY	RH 53589 QTY	LH 53590 QTY
1	15178	NUT, 5/16 CENTERLOCK	12	12	12	12
2	15282	BOLT, 5/16 X 1-1/2 HEX	12	12	12	12
3	27175-00	SHAFT, BAT SPLICE	2	2	2	2
4	53440-00	ASSY', RH BAT TUBE/REEL TINE (86")	1			
	53441-00	ASSY', LH BAT TUBE/REEL TINE (86")		1		
	53444-00	ASSY', RH BAT TUBE/REEL TINE (95")			1	
	53445-00	ASSY', LH BAT TUBE/REEL TINE (95")				1
5	53428-00	ASSY', RH BAT TUBE/REEL TINE (65")	1			
	53429-00	ASSY', LH BAT TUBE/REEL TINE (65")		1		
	53442-00	ASSY', RH BAT TUBE/REEL TINE (92")			1	
	53443-00	ASSY', LH BAT TUBE/REEL TINE (92")				1
6	53446-00	ASSY', RH BAT TUBE/REEL TINE (96")	1		1	
	53447-00	ASSY', LH BAT TUBE/REEL TINE (96")		1		1
7	53586-00	ASSY', RH END SHAFT PIVOT	1	1	1	1
8	53587-00	ASSY', LH END SHAFT PIVOT	1	1	1	1



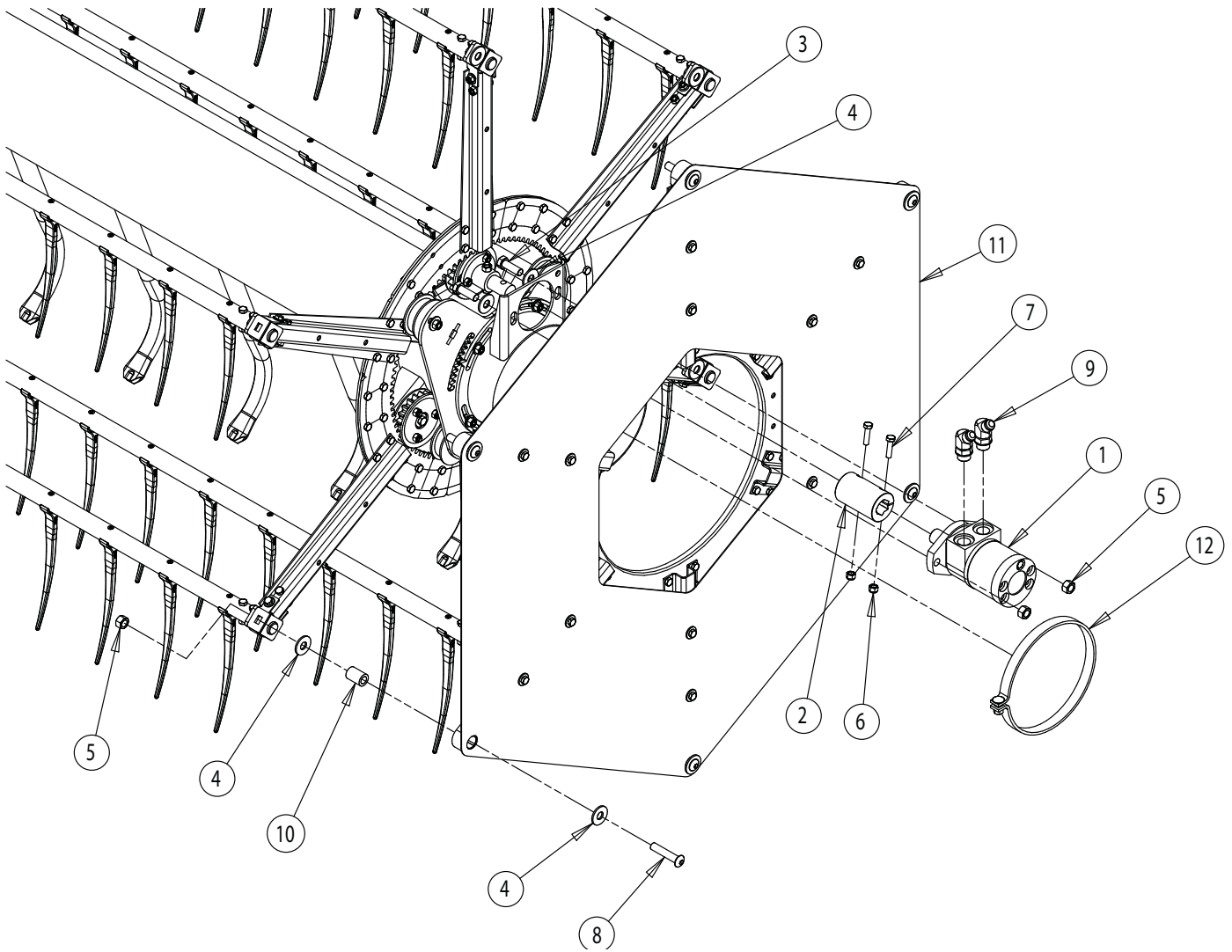
REEL BAT 30 FT.				
ITEM	PART NUMBER	DESCRIPTION	RH 53593 QTY	LH 53594 QTY
1	15178	NUT, 5/16 CENTERLOCK	16	16
2	15282	BOLT, 5/16 X 1-1/2 HEX	16	16
3	27175-00	SHAFT, BAT SPLICE	3	3
4	53438-00	ASSY', RH BAT TUBE/REEL TINE (85")	1	
	53439-00	ASSY', LH BAT TUBE/REEL TINE (85")		1
5	53440-00	ASSY', RH BAT TUBE/REEL TINE (86")	2	
	53441-00	ASSY', LH BAT TUBE/REEL TINE (86")		2
6	53428-00	ASSY', RH BAT TUBE/REEL TINE (85")	1	
	53439-00	ASSY', LH BAT TUBE/REEL TINE (85")		1
7	53586-00	ASSY', RH END SHAFT PIVOT	1	1
8	53587-00	ASSY', LH END SHAFT PIVOT	1	1



ASSEMBLY, BAT TUBE/REEL TINE								
ITEM	PART NUMBER	DESCRIPTION	53424-00 56" RH QTY	53425-00 56" LH QTY	53428-00 65" RH QTY	53429-00 65" LH QTY	53430-00 66" RH QTY	53431-00 66" LH QTY
1	12529	TINE, PLASTIC REEL	9	9	10	10	10	10
2	15597	SCREW, 12-14 X 2" FLAT HEAD THREAD FORM	9	9	10	10	10	10
3	53409-12	TUBE, REEL BAT (56")	1	1				
	53411-12	TUBE, REEL BAT (65")			1	1		
	53412-12	TUBE, REEL BAT (66")					1	1

ASSEMBLY, BAT TUBE/REEL TINE								
ITEM	PART NUMBER	DESCRIPTION	53434-00 74" RH QTY	53435-00 74" LH QTY	53438-00 85" RH QTY	53439-00 85" LH QTY	53440-00 86" RH QTY	53441-00 86" LH QTY
1	12529	TINE, PLASTIC REEL	12	12	13	13	14	14
2	15597	SCREW, 12-14 X 2" FLAT HEAD THREAD FORM	12	12	13	13	14	14
3	53414-12	TUBE, REEL BAT (74")	1	1				
	53416-12	TUBE, REEL BAT (85")			1	1		
	53417-12	TUBE, REEL BAT (86")					1	1

ASSEMBLY, BAT TUBE/REEL TINE								
ITEM	PART NUMBER	DESCRIPTION	53442-00 92" RH QTY	53443-00 92" LH QTY	53444-00 95" RH QTY	53445-00 95" LH QTY	53446-00 96" RH QTY	53447-00 96" LH QTY
1	12529	TINE, PLASTIC REEL	15	15	15	15	15	15
2	15597	SCREW, 12-14 X 2" FLAT HEAD THREAD FORM	15	15	15	15	15	15
3	53418-12	TUBE, REEL BAT (92")	1	1				
	53419-12	TUBE, REEL BAT (95")			1	1		
	53420-12	TUBE, REEL BAT (96")					1	1



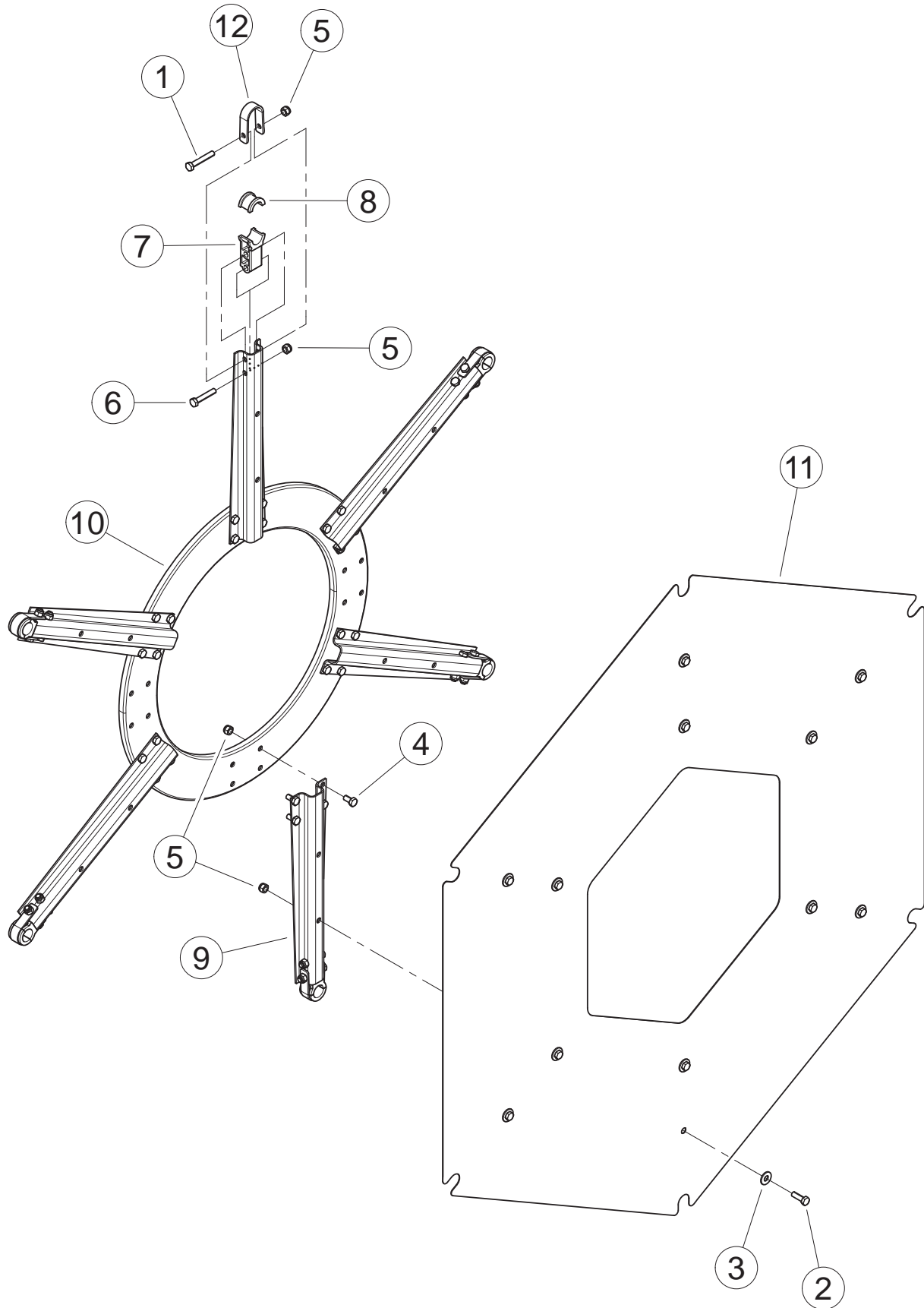
ASSEMBLY, ECCENTRIC ARM & HYDRAULIC MOTOR			
ITEM	PART NUMBER	DESCRIPTION	QTY
1	12491	MOTOR, HYDRAULIC GEAR SAE 2 BOLT 8.0/8.9 CID (INCLUDES ITEMS BELOW)	1
	12050	KIT, MOTOR SEAL (ROSS/PARKER) (NOT SHOWN)	1
	16516	KIT, SEAL (CHAR-LYNN) (NOT SHOWN)	1
	36636-00	KIT, SEAL (HYD. MOTOR) (NOT SHOWN)	1
2	14022-00	COUPLER, 1" HEX SHAFT	1
3	15014	BOLT, 1/2" X 1-1/2" HHCS GR5 ZP	2
4	15034	WASHER, 1/2" FLAT ZP	26
5	15049	NUT, 1/2" CENTERLOCK GRB ZP	14
6	15356	NUT, 5/16" NE NYLOCK ZP	2
7	15436	BOLT, 5/16" X 1-1/4" HHCS NC GR5 ZP	2
8	15562	BOLT, 1/2" X 2-1/2" HEX SOCKET B-HD CPS	12
9	16067	ADAPTER, -10MORING/-8MJIC 45 DEGREE	2
10	21520	BUSHING, PIVOT STRAP	12
11	22347	ASSEMBLY, ECCENTRIC ARM -6 BAT REEL (SEE PAGES 26-27)	2
12	22489	ASSEMBLY, BRACE CLAMP	2

SEAL KIT FOR CHARLYNN MOTORS

SEAL KIT FOR CHARLYNN MOTORS (16516)			
ITEM	PART NUMBER	DESCRIPTION	QTY
1	16516	SEAL KIT FOR CHARLYNN MOTORS	1
		DUST SEAL	1
		BACK UP RING	1
		PRESSURE SEAL (002, 003, 008, 009 MOTORS)	1
		SEAL, FLANGE	1
		SEAL, HOUSING PLUG (008 MOTORS)	1
		SEAL, HOUSING PLUG (009 MOTORS)	1
		SEAL	3
		WASHER	7
		LOCTITE CAPSULE	1
		SEAL (O-RING PORT HOUSING)	2
		O-RING (DRAIN PORT)	1
		O-RING (HOUSING PLUG- END PORTED MODEL)	2

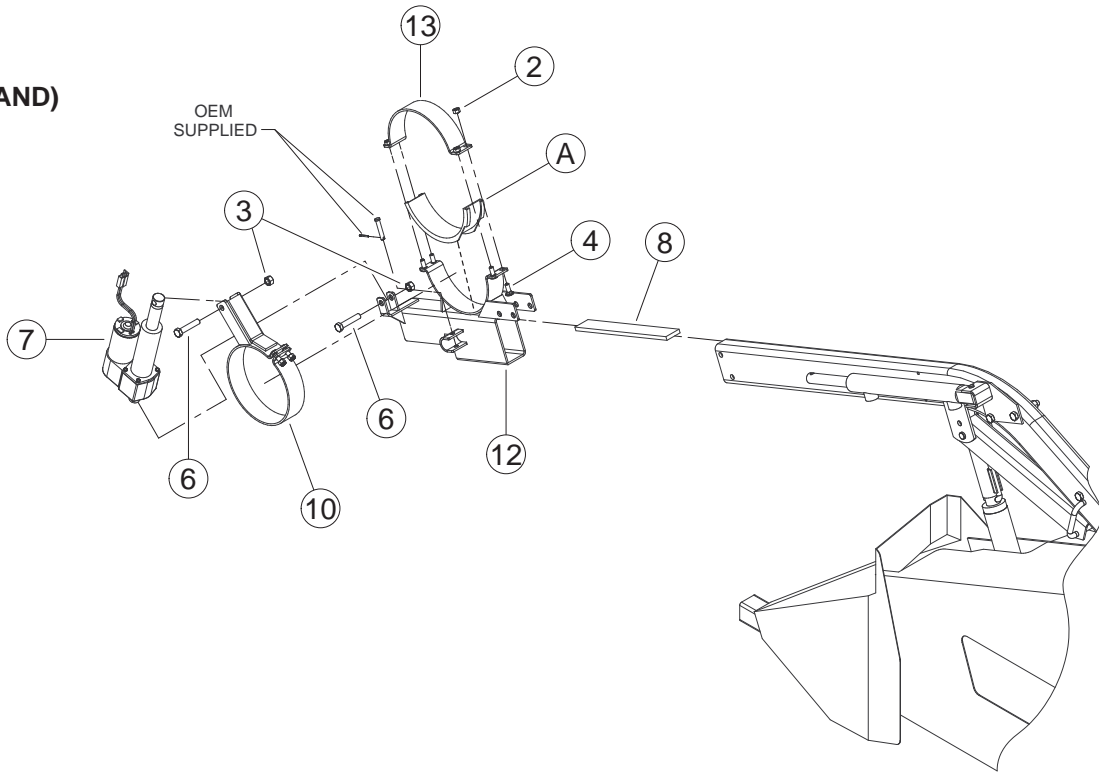
SEAL KIT FOR ROSS/PARKER MOTORS

SEAL KIT FOR HYDRAULIC MOTOR (12050)			
ITEM	PART NUMBER	DESCRIPTION	QTY
1	12050	SEAL KIT, MOTOR 8.0 CID AIR REEL MOTOR (ROSS)	1
		SEAL RINGS (PART NO. 032821)	5
		COMMUTATOR SEAL (PART NO. 032435)	1
		INNER SEAL (PART NO. 032377)	1
		BACK UP WASHER (PART NO. 028516)	1
		DIRT AND WATER SEAL (PART NO. 478036)	1
		GREASE PACK (PART NO. 406018)	1
		SERVICE MANUAL (PART NO. 050015)	1

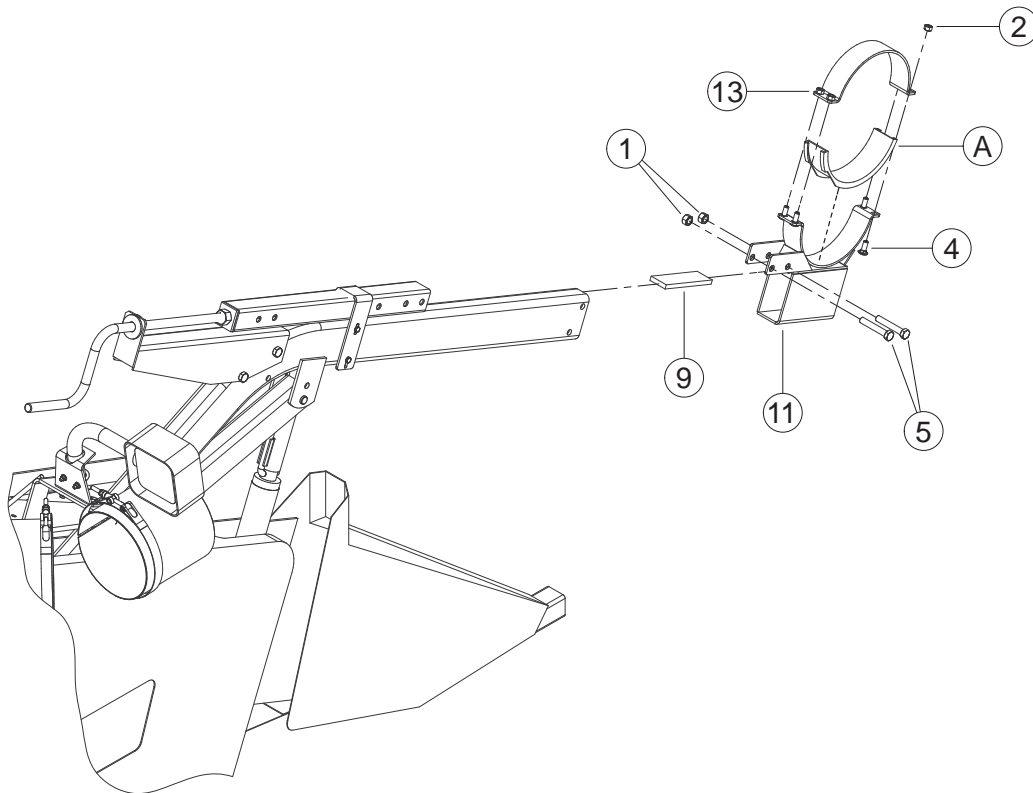


ASSEMBLY, ECCENTRIC REEL ARM (22347)			
ITEM	PART NUMBER	DESCRIPTION	QTY
1	15140	BOLT, 5/16 X 2 HEX GR5 ZP	6
2	15219	BOLT, 5/16 X 1 HEX GR5 NC ZP	12
3	15250	WASHER, 5/16 FLAT ZP	12
4	15300	BOLT,5/16 X 5/8 HEX GR5 ZP	24
5	15356	NUT, 5/16 NE NYLOCK ZP	48
6	15403	BOLT, 5/16-18 X 1-3/4 HEX GR5 ZP	6
7	17404	BEARING BASE, PLASTIC	6
8	17622	CAP, BEARING	6
9	21550-12	ARM, REEL ECCENTRIC	6
10	21976	RING,FINGER AIR REEL ECCENTRIC	1
11	24318-12	SHIELD, END-6 BAT	1
12	54829-00	U-CLIP, BEARING	6

(LEFT HAND)

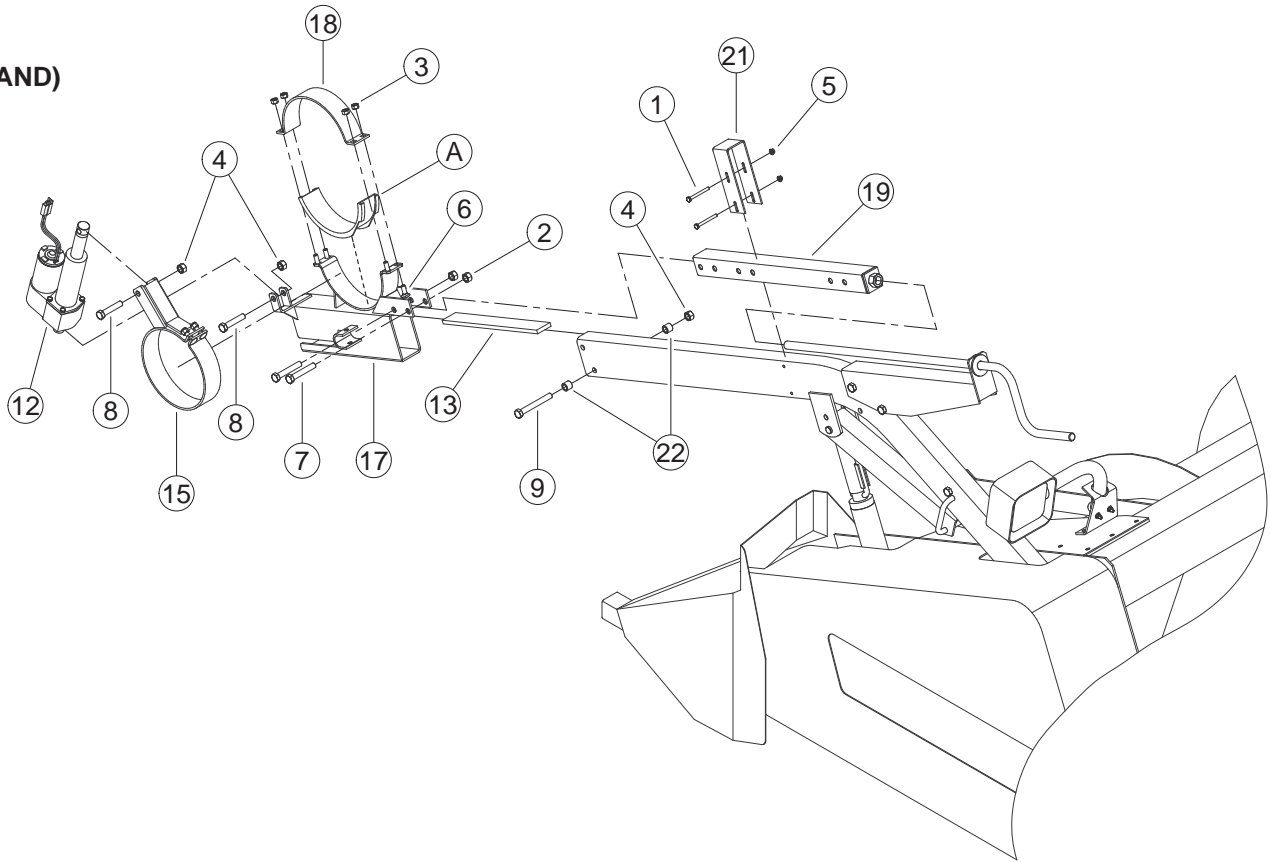


(RIGHT HAND)

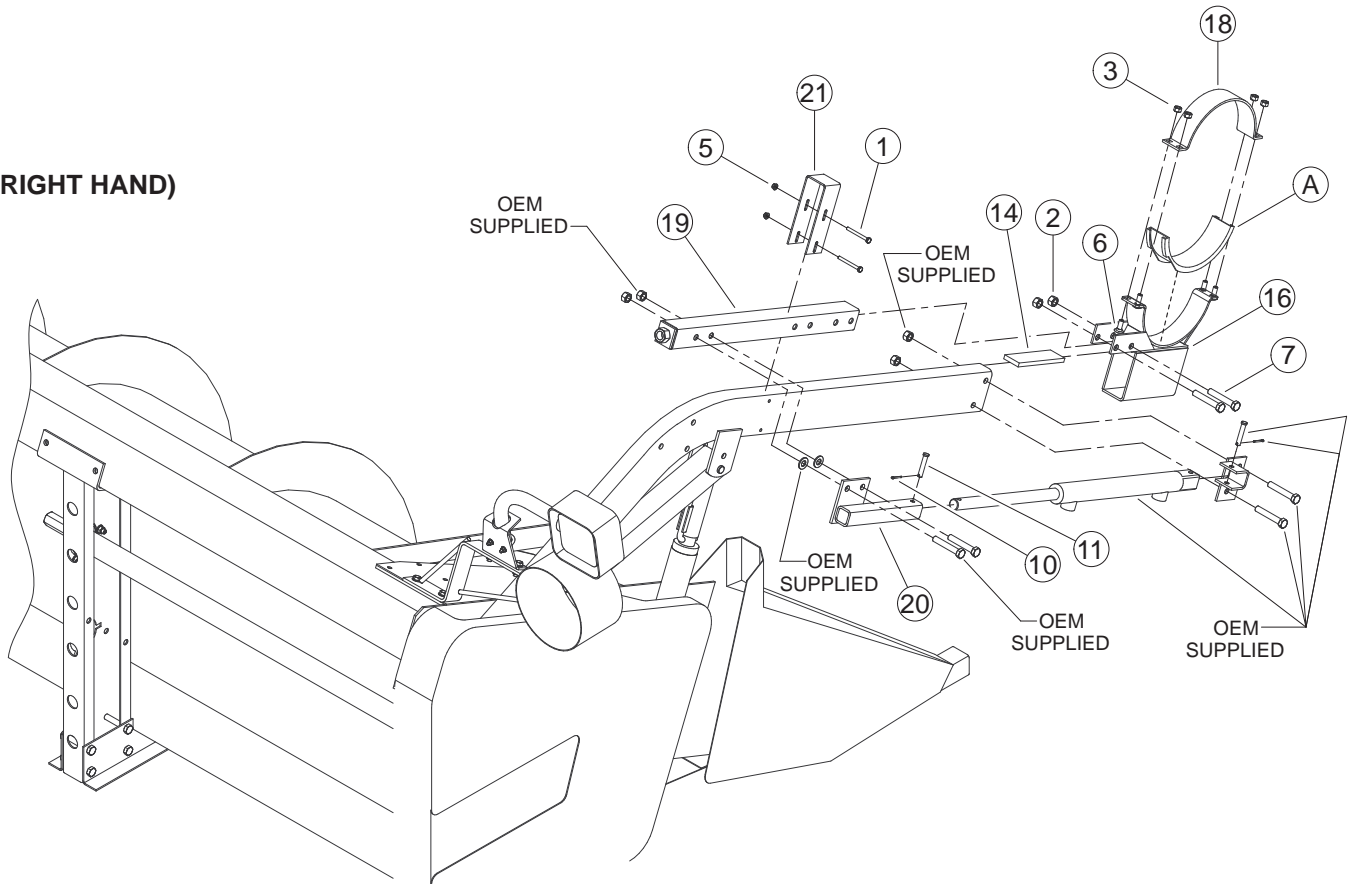


REEL ARM MOUNT KIT, CIH 1010/20 PRE 1995 (22254)			
ITEM	PART NUMBER	DESCRIPTION	QTY
1	15043	NUT, 1/2 HEX NC ZP	2
2	15047	NUT, 3/8 CENTERLOCK ZP	8
3	15049	NUT, 1/2 CENTERLOCK GRB ZP	2
4	15057	BOLT, 3/8 X 1 CRG GR5 NC ZP	8
5	15086	BOLT, 1/2 X 3 HEX HD GR5 ZP	2
6	15092	BOLT, 1/2 X 2-1/2 HEX HD GR5 ZP	2
7	17843	ELECTRIC ACTUATOR	1
8	22260	REEL SUPPORT PAD-LH (CIH,DAC,NH)	1
9	22290	REEL SUPPORT PAD-RH (CIH)	1
10	22479	ASSY', PIVOT CLAMP	1
11	22810	ASSY', REEL SUPPORT RH (CIH 1010)	1
A	22809	GUIDE, SADDLE	1
	22214	WELDMENT, REEL SUPPORT - RH (CIH1010/20)	1
12	22811	ASSY', REEL SUPPORT - LH (CIH 1010)	1
A	22809	GUIDE, SADDLE	1
	22220	WELDMENT, REEL SUPPORT -LH (CIH1010/20)	1
13	23501	CLAMP, HALF	2

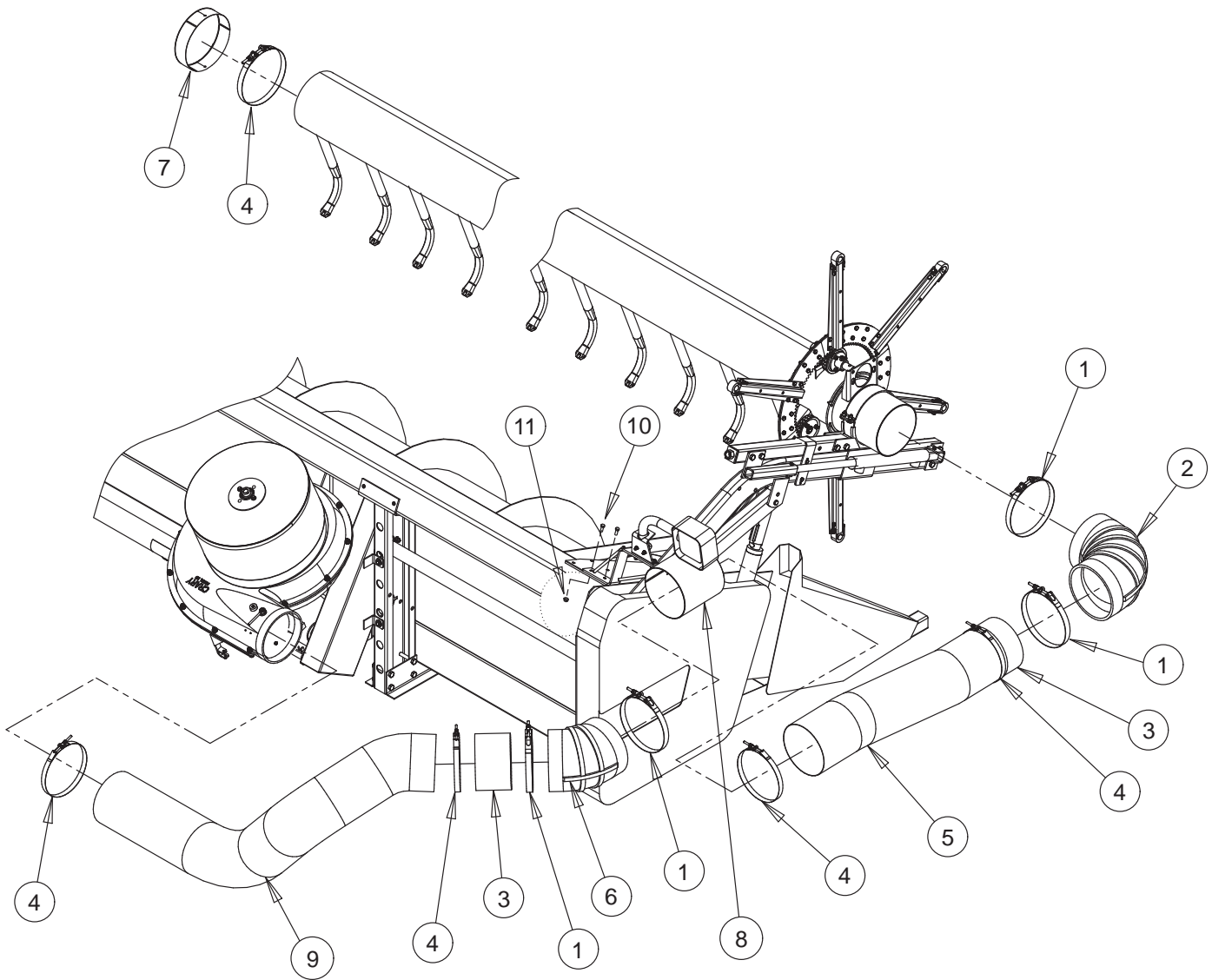
(LEFT HAND)



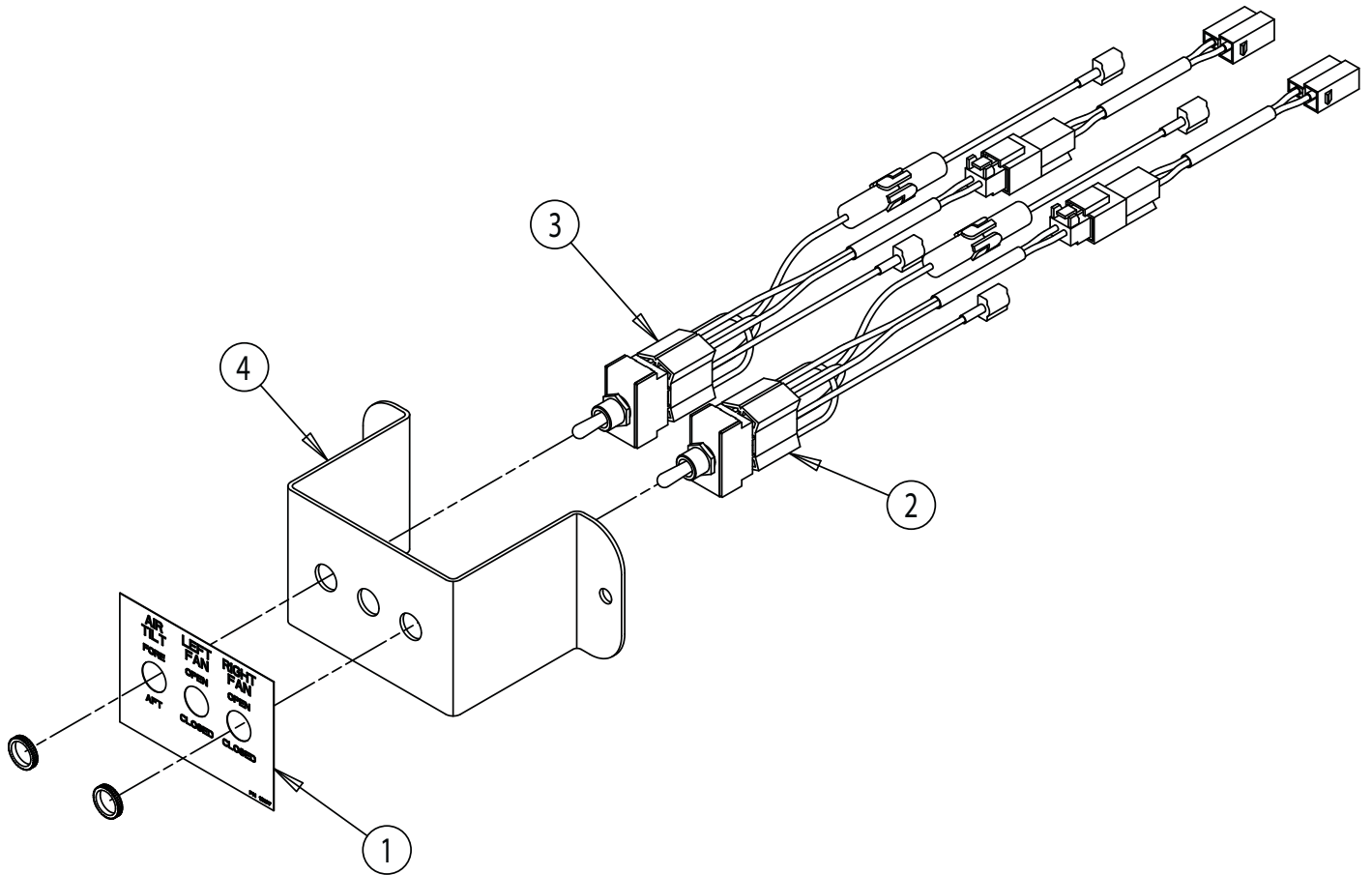
(RIGHT HAND)



REEL ARM MOUNT KIT, CIH 1010/20 PRE 1995 & LATER (24100)			
ITEM	PART NUMBER	DESCRIPTION	QTY
1	0103-0714-00	BOLT, 1/4 X 2-3/4 HEX HD GR5 ZP	4
2	15043	NUT, 1/2 HEX NC ZP	4
3	15047	NUT, 3/8 CENTERLOCK ZP	8
4	15049	NUT, 1/2 CENTERLOCK GRB ZP	6
5	15053	NUT, 1/4-20 SERR FLANGE NC ZP	4
6	15057	BOLT, 3/8 X 1 CRG GR5 NC ZP	8
7	15086	BOLT, 1/2 X 3 HEX HD GR5 ZP	6
8	15092	BOLT, 1/2 X 2-1/2 HEX HD GR5 ZP	2
9	15174	BOLT, 1/2 X 4 HEX HD GR5 ZP	1
10	15375	PIN, 1/8 X 1.00 ZP COTTER	2
11	16544	CLEVIS PIN, 3/8 X 2 LONG	2
12	17843	ELECTRIC ACTUATOR	1
13	22260	REEL SUPPORT PAD-LH (CIH,DAC,NH)	1
14	22290	REEL SUPPORT PAD-RH (CIH)	1
15	22479	ASSY', PIVOT CLAMP	1
16	22810	ASSY', REEL SUPPORT RH (CIH 1010)	1
A	22809	GUIDE, SADDLE	1
	22214	WELDMENT, REEL SUPPORT - RH (CIH1010/20)	1
17	22811	ASSY', REEL SUPPORT - LH (CIH 1010)	1
A	22809	GUIDE, SADDLE	1
	22220	WELDMENT, REEL SUPPORT -LH (CIH1010/20)	1
18	23501	CLAMP, HALF	2
19	24095-11	WELDMENT, ADJUSTMENT TUBE	2
20	24098-11	WELDMENT, CYLINDER TUBE	1
21	24099-11	REEL SUPPORT YOKE	2
22	70036	SPACER, 0.75 X 0.62	2
	12506	HARNESS, ACTUATOR SWITCH ADAPTER	1

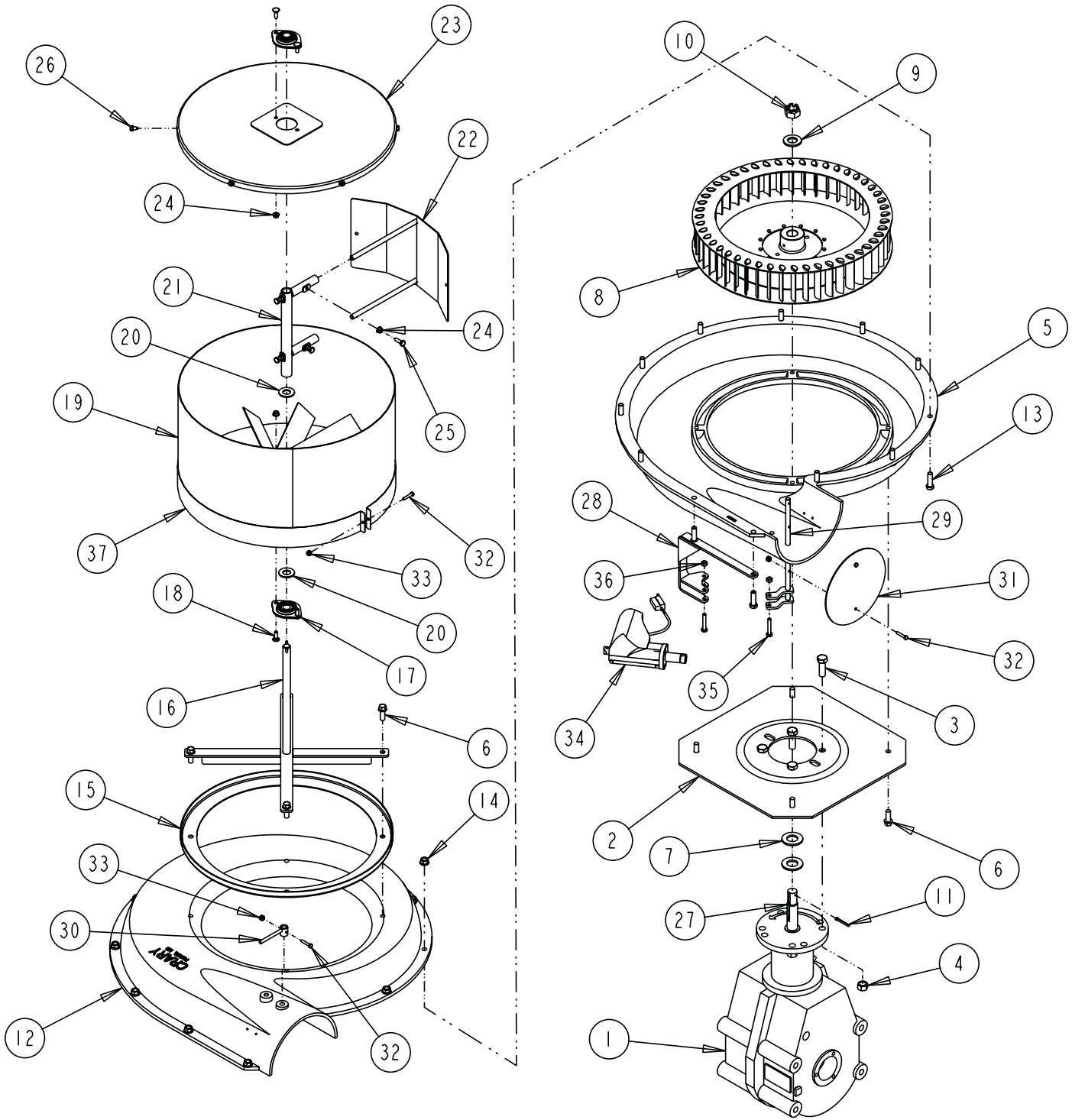


ASSEMBLY, FAN HOSE			
ITEM	PART NUMBER	DESCRIPTION	QTY
1	16092	CLAMP, 8-11/16", T-BOLT	4
2	17437	ELBOW, 8", MANIFOLD	1
3	21512	BAND, ELBOW SUPPORT	2
4	16091	CLAMP, 8-3/8", T-BOLT	5
5	17410	HOSE, 8" ID X 6' LONG, FLEX	1
6	12146	ELBOW, 5" X 45 DEGREE, RUBBER	1
7	21924	CAP, TUBE, 8" NOTCHED	1
8	24651-12	WELDMENT, HOSE CONNECTOR	1
9	17777	HOSE, 8" ID X 8' LONG, FLEX	1
10	15382	BOLT, 3/8" X 1" SERR FLNG GR5 NC ZP	2
11	15051	NUT, 3/8" SERRATED FLANGE NC ZP	2

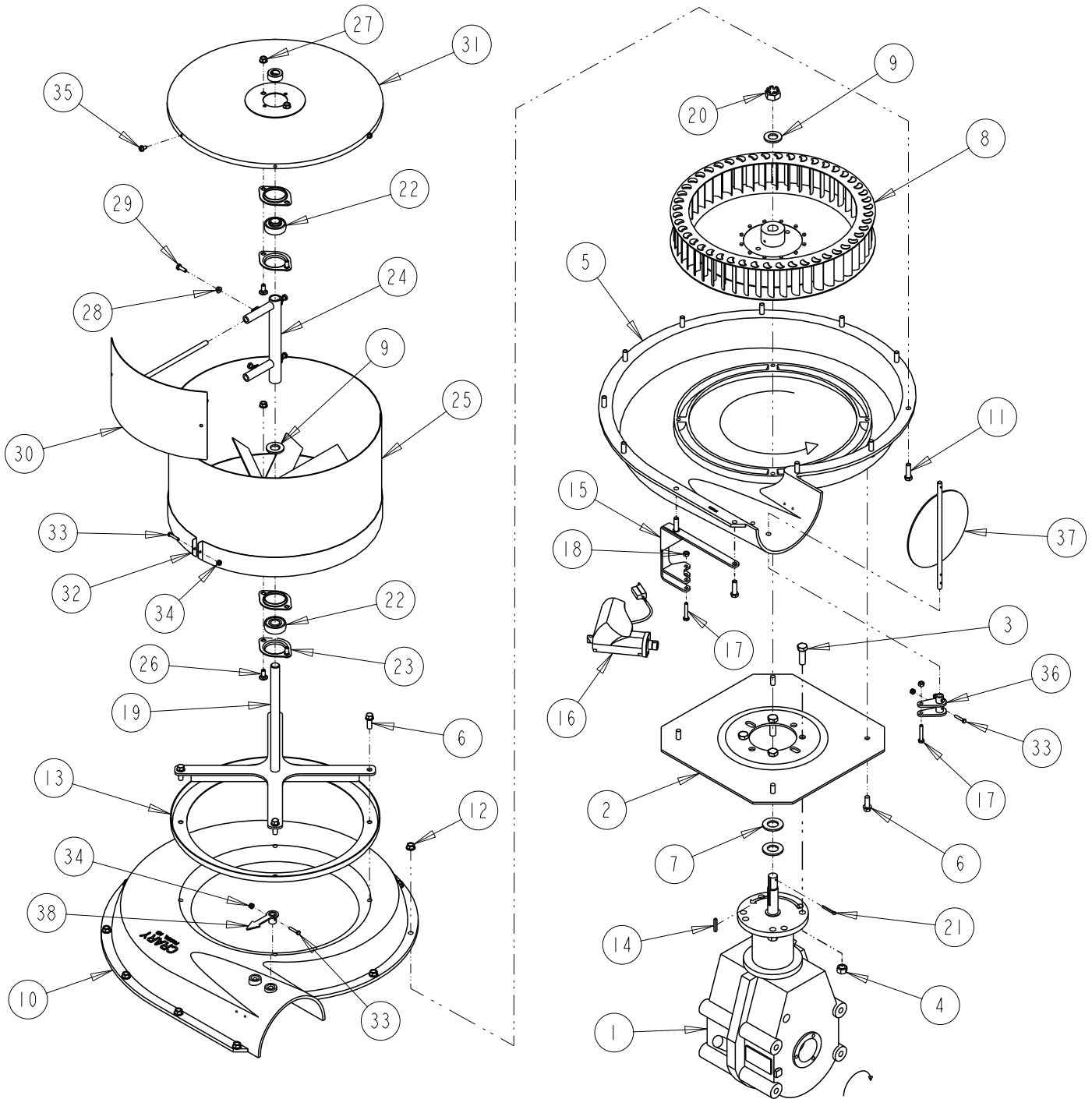


SWITCH/MOUNT PLATE ASSEMBLY (24333)			
ITEM	PART NUMBER	DESCRIPTION	QTY
1	12167	DECAL, ACTUATOR SWITCH	1
2	17849	ELECTRIC SWITCH ASSEMBLY - SPLIT 6 AMP (INCLUDES ITEM BELOW)	1
	13901	SWITCH, 3P COL HERS 55065-03 (NOT SHOWN)	1
3	17850	ELECTRIC SWITCH ASSEMBLY - SPLIT 15 AMP (INCLUDES ITEM BELOW)	1
	13901	SWITCH, 3P COL HERS 55065-03 (NOT SHOWN)	1
4	24332-12	PLATE, SWITCH MOUNT	1

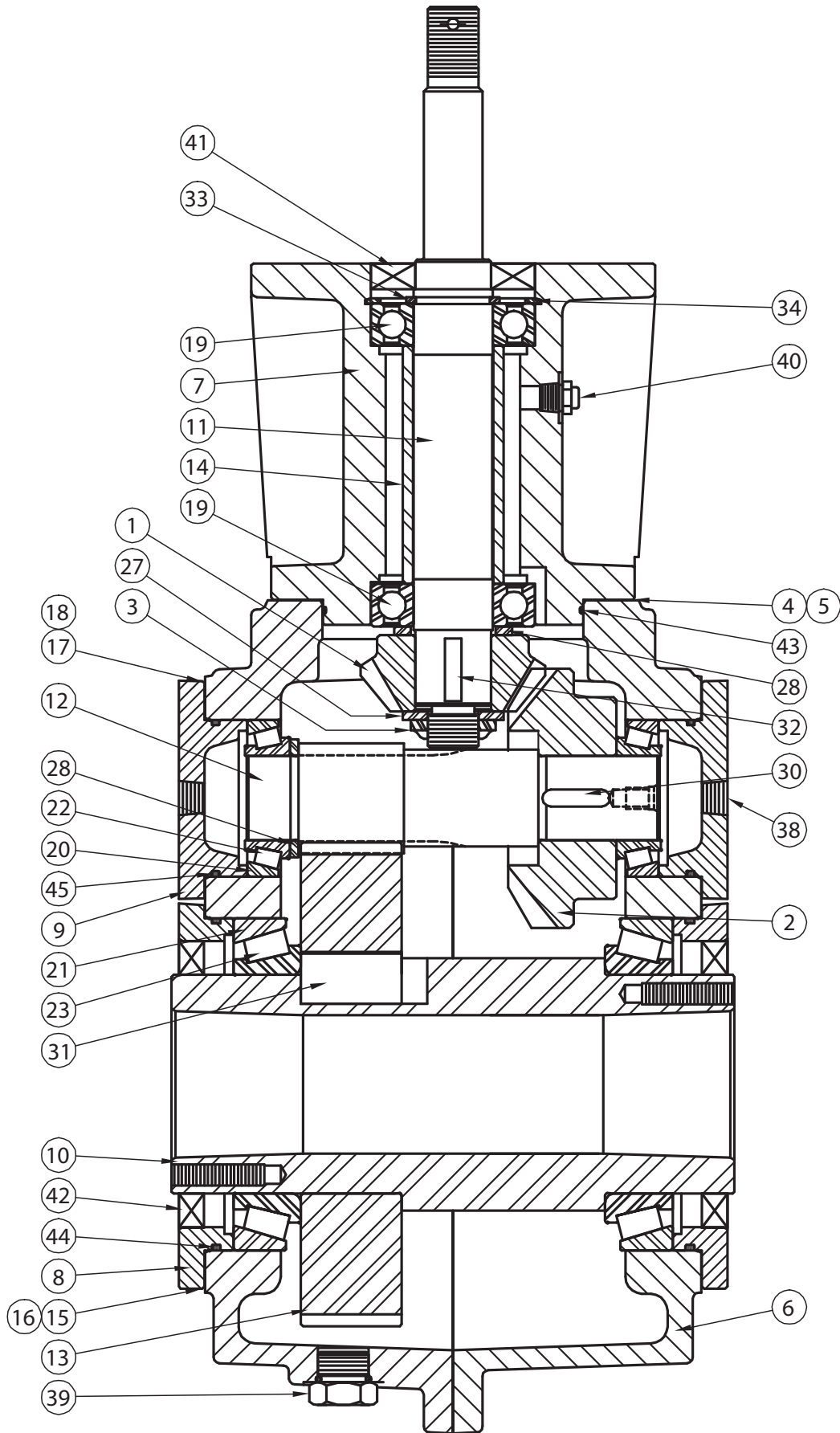
ATTACHMENT, 9 FT. EXTENSION HARNESS			
ITEM	PART NUMBER	DESCRIPTION	QTY
	18048-00	HARNESS, 9 FT PACKARD EXT	1



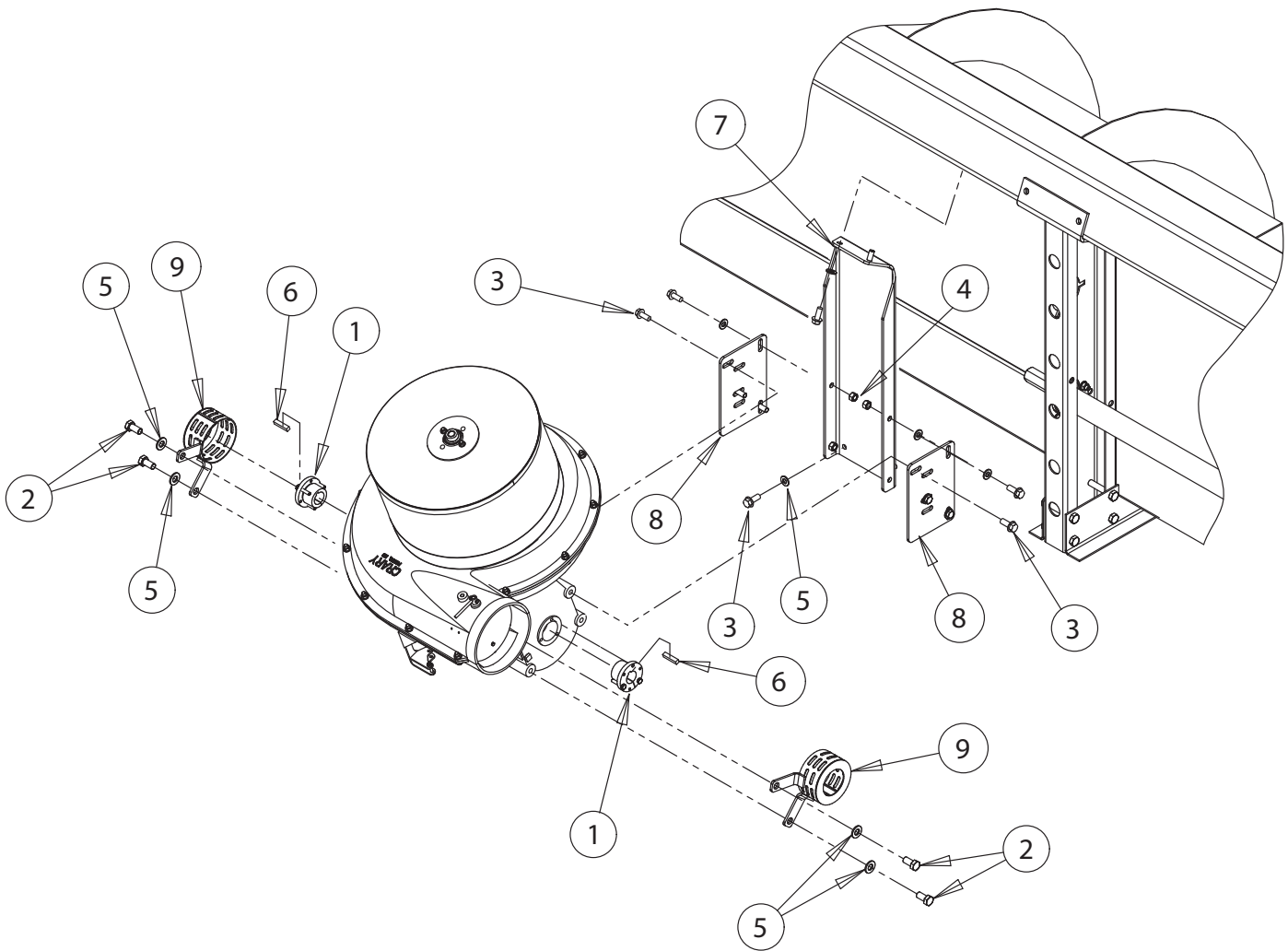
GEARBOX/FAN (22760)			
ITEM	PART NUMBER	DESCRIPTION	QTY
1	22327	GEARBOX, 9.37:1 (SEE PAGES 38-39)	1
2	21445	HUB/MOTOR MOUNT PLATE (8 IN. -B PILOT)	1
3	15014	BOLT, 1/2 X 1-1/2 HEX HD	4
4	15049	NUT, 1/2 CENTERLOCK GRB ZP	4
5	21193	8" FAN RH SIDE W/ BUTTERFLY	1
6	15076	BOLT, 3/8 X 1 THREAD CUT	8
7	15099	WASHER, 7/8 SAE FLAT	2
8	14056-00	FAN ROTOR, 17.38" X 3" CW 7/8 STL.	1
9	15098	WASHER, 3/4 SAE FLAT	1
10	15055	NUT, SPINDLE CASTLE	1
11	15068	PIN, 5/32 X 1-1/4 COTTER	2
12	21194	8" FAN LH SIDE W/ BUTTERFLY	1
13	15364	BOLT, 3/8 NC X 1-1/4 HEX HD	12
14	15051	NUT, 3/8 SERR FLANGE	12
15	22655	BASE	1
16	23152	WELDMENT, BASE STRAP	1
17	16449	BEARING, 5/8" 2-BOLT FLNG.	2
18	15238	BOLT, 1/4 X 3/4" CRG	4
19	23161	WELDMENT, SCREEN/BLADE	1
20	15129	WASHER, 5/8 SAE FLAT	2
21	23155	WELDMENT, PIVOT	1
22	23158	WELDMENT, SCREEN CLEANER	1
23	23163	WELDMENT, SCREEN CAP	1
24	15053	NUT, 1/4 SERR FLANGE	8
25	15001	BOLT, 1/4 X 3/4 HEX HD	4
26	15095	SCREW, NO. 14 X 1/2" TAPPING HWH ZP	6
27	7022	KEYSTOCK, 3/16"	1
28	25644-12	WELDMENT, ACTUATOR MOUNT	1
29	25641-12	WELDMENT, VALVE ACTUATOR	1
30	25638-35	WELDMENT, INDICATOR	1
31	21444	PLATE, LARGE BUTTERFLY	1
32	15552	BOLT, #10-24 X 1 IN. GR8 HCPS PLAIN	4
33	15397	NUT, #10 X 24 NYLOCK	4
34	13460-00	ACTUATOR, 2" STROKE WARNER	1
35	15342	BOLT, 1/4 X 1-1/2" HCS G5 ZP	2
36	15087	NUT, 1/4" CENTERLOCK	2
37	25592-12	WRAP, ROTARY SCREEN	1



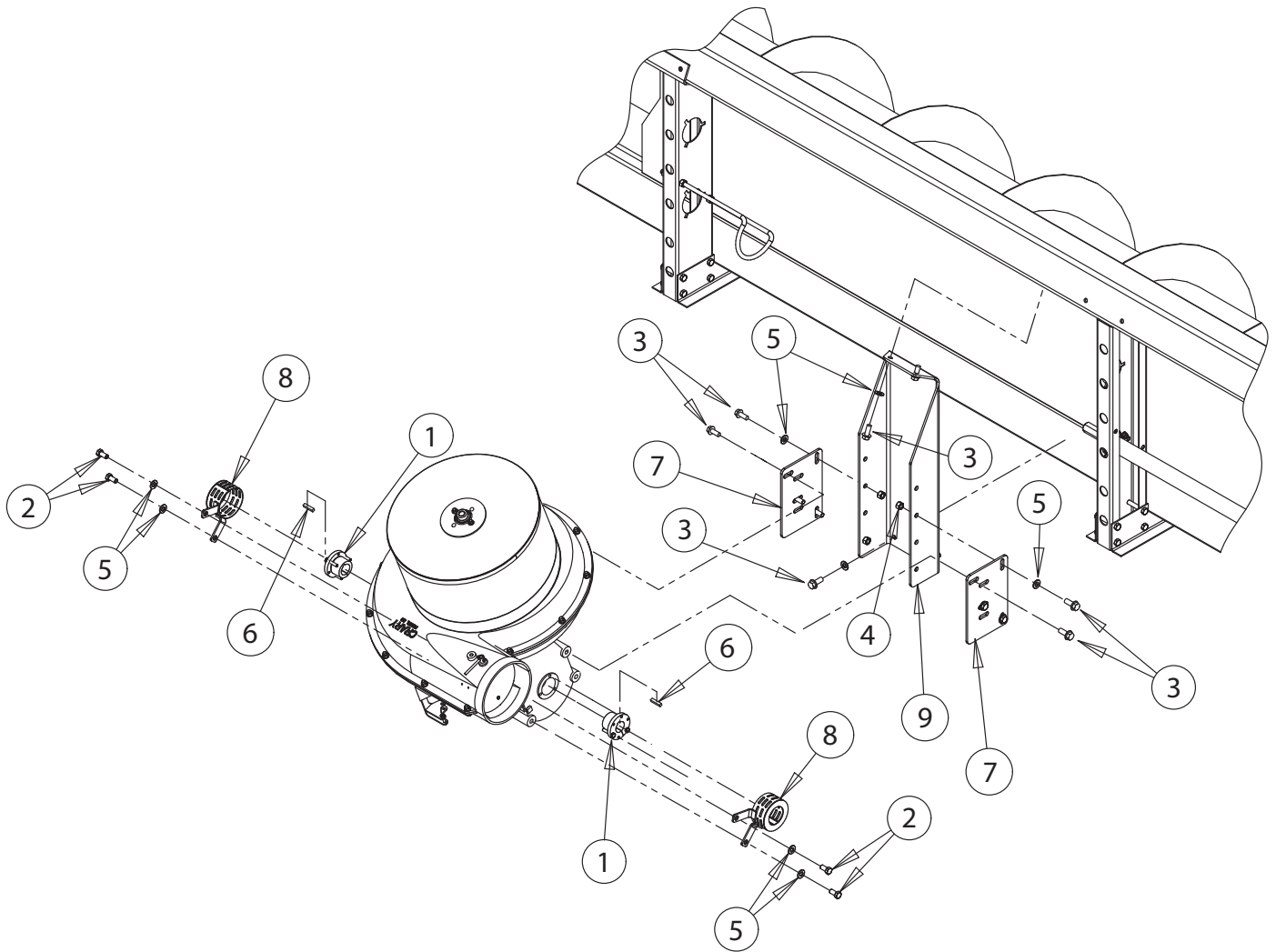
GEARBOX/FAN 9:37:1 (22760)			
ITEM	PART NUMBER	DESCRIPTION	QTY
1	22327	GEAR BOX, 9.37:1	1
2	21445	PLATE,HUB/MOTOR MT.(8"B-PILOT)	1
3	15014	BOLT, 1/2 X 1-1/2 HEX HD GR5 ZP	4
4	15049	NUT, 1/2" CENTERLOCK GRB ZP	4
5	21193	8"FAN RH SIDE W/BUTTERFLY	1
6	15076	SCREW,3/8-16*1"LG THD CUTT ZP	8
7	15099	WASHER,7/8"SAE FLAT,ZP,15PC/LB	2
8	14056-00	FAN ROTOR, 17.38" X 3" CW,7/8,STL.	1
9	15098	WASHER,3/4"SAE FLAT ZP,21PC/LB	2
10	21194	8"FAN LH SIDE W/BUTTERFLY	1
11	15364	BOLT, 3/8 X 1-1/4" HEX HD GR5 ZP	12
12	15051	NUT, 3/8" SERRATED FLANGE NC ZP	12
13	22655	BASE,8"ROTARY SCREEN	1
14	7022	KEY, 3/16 SQ X 1-1/4" PLAIN	1
15	25644-12	WELDMENT, ACTUATOR MOUNT	1
16	13460-00	ACTUATOR, 2" STROKE ELECTRIC	1
17	15342	BOLT 1/4 X 1-1/2 HHCS GR5 ZP	2
18	15087	NUT, 1/4 CENTERLOCK NC ZP	2
19	29917-12	WELDMENT,8"ROTARY SCR.N.BASE STRAP	1
20	15055	NUT, 3/4" NF CASTLE ZP	1
21	15068	PIN 5/32*1 1/4 COTTER PIN ZP	1
22	18998-00	BEARING, 3/4" ROUND INSERT	2
23	36008-00	FLANGETTE, 47MM 2 HOLE	4
24	29919-12	WELDMENT, PIVOT	1
25	23161	SCREEN/BLADE WELDMENT (RH)	1
26	15367	BOLT, 5/16X3/4 GR5 NC ZP CRG	4
27	15351	NUT, 5/16 SERR FLNG NC ZP	4
28	15053	NUT, 1/4"-20 SERRATED FLNG NC ZP	4
29	15001	BOLT, 1/4*3/4 GR5 HEX HD ZP	4
30	29921-12	WELDMENT, 8" FAN SCREEN CLEANER	1
31	23163	SCREEN CAP WELDMENT	1
32	25592-12	WRAP, ROTARY SCREEN	1
33	15552	BOLT,10-24 * 1" GR8 HCPS PLAIN	4
34	15397	NUT, 10/24 NYLOCK TYPE NM, ZP	4
35	15095	SCREW #14 * 1/2 TAPPING HWH ZP	3
36	53747-12	WELDMENT, VALVE ACTUATOR (8"RH)	1
37	53744-00	WELDMENT, BUTTERFLY SHAFT (8")	1
38	53750-35	WELDMENT, INDICATOR (8")	1



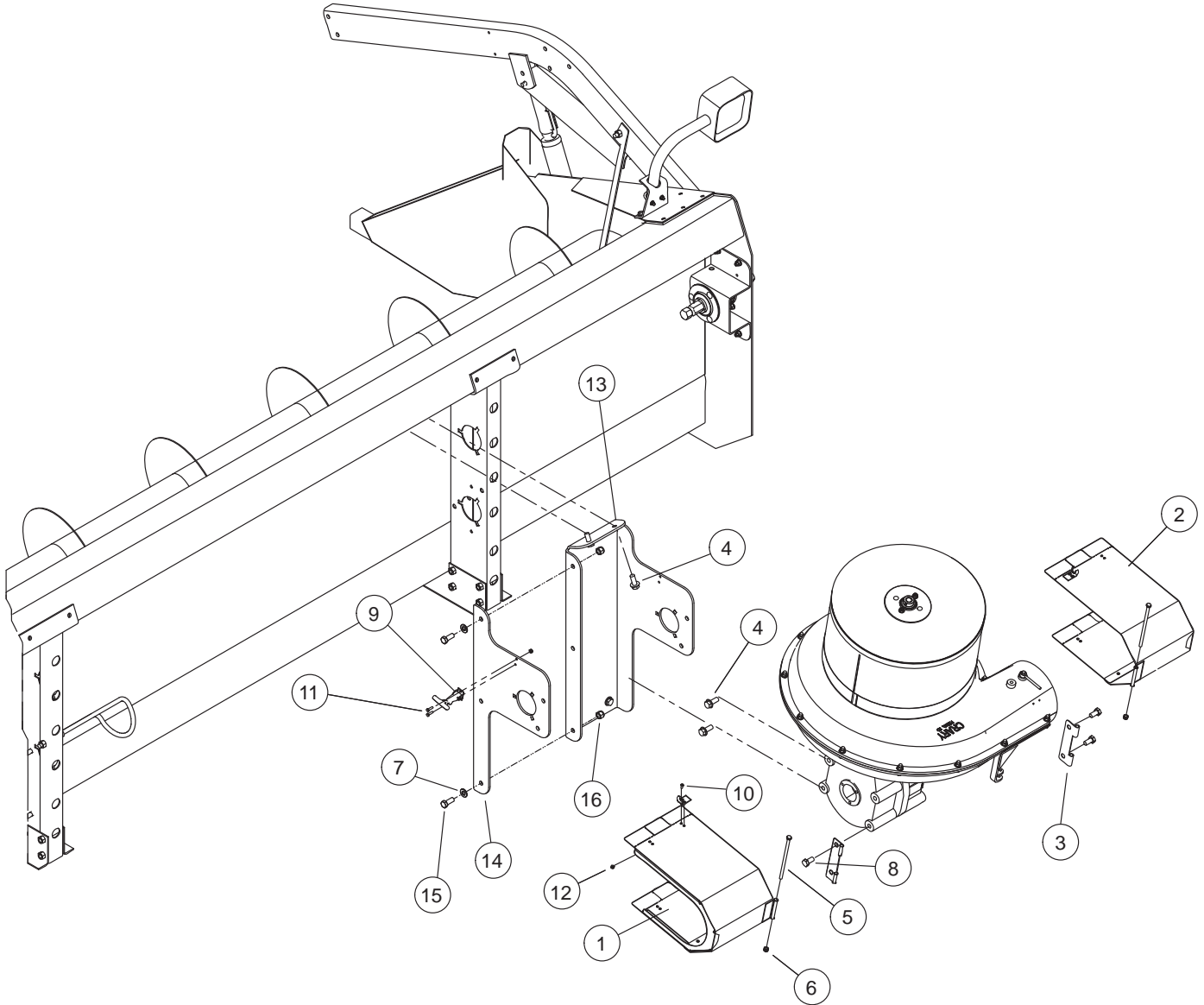
GEARBOX (REPLACEMENT PARTS)			
ITEM	PART NUMBER	DESCRIPTION	9.375:1 (22327)
1	16807	66 GEAR, SP BEV LH 19T	1
2	NPN	66 GEAR, SP BEV RH 29T	1
3	36222-00	11 NUT, LOCK 3/4" NF	1
4	NPN	66 SHIM, .002 RED	2
5	NPN	66 SHIM, .005 BLUE	2
6	NPN	SPEC. HOUSING, SUB-ASSEMBLY	1
7	NPN	SPEC. HOUSING, PINION	1
8	NPN	SPEC. CAP, OPEN	2
9	NPN	SPEC. CAP, CLOSED	2
10	16821	SPEC. SLEEVE, INPUT	1
11	16820	SPEC. SHAFT, OUTPUT PINION	1
12	NPN	SPEC. GEAR INTG HEL LH 14T	1
13	NPN	SPEC. GEAR, HEL RH 81T	1
14	NPN	SPEC. SPACER	1
15	NPN	SPEC. SHIM, .002 RED	4
16	NPN	SPEC. SHIM, .005 BLUE	4
17	NPN	SPEC. SHIM, .002 RED	4
18	NPN	SPEC. SHIM, .005 BLUE	4
19	16815	BEARING, BALL 206NPP OR EQUIVALENT	2
20	0201-0077-00	BEARING, 2.328 X .465 CUP	2
21	16817	BEARING, CUP 27620 OR EQUIVALENT	2
22	0201-0078-00	BEARING, 1.250 X .660 CONE	2
23	16819	BEARING, CONE 27687 OR EQUIVALENT	2
24	NPN	SCREW, 3/8" X 1" NC HHCS GR5	4
25	NPN	SCREW, 5/16" X 1" NC HHCS GR5	20
26	NPN	SCREW, 3/8" X 1-1/4" NC HHCS GR5	8
27	NPN	WASHER, 3/4" X 1-1/2" X 1/8"	1
28	NPN	WASHER, 1-17/64" X 1-3/4" X 1/8"	2
29	NPN	NUT, 3/8" NC HEX	8
30	NPN	KEY, 1/4" SQUARE X 15/16" P&W	1
31	NPN	KEY, 3/4" SQUARE X 1-1/2" SQUARE END	1
32	NPN	KEY, 1/4" X 1" WOODRUFF	1
33	16814	RING, RETAINING 5160-118	1
34	31534-00	RING, BEVELED RETAINING N5002-244	1
35	NPN	OIL, MOBILUBE SHC 75W-90	40
36	NPN	PLATE, NAME, CRARY	1
37	NPN	PAINT, FLAT BLACK	5.120
38	31531-00	PLUG, PIPE SOCKET 1/4 NPT	2
39	31532-00	PLUG, PIPE 1/2" O-RING BOSS	3
40	31533-00	BREATHER, 1/8 NPT	1
41	16625	SEAL, 472681 OR EQUIVALENT	1
42	16624	SEAL, 32395 OR EQUIVALENT	2
43	31535-00	O-RING, -044	1
44	NPN	O-RING, -158	2
45	NPN	O-RING, -138	2
46	NPN	SCREW, 5/16" X 3/4" NC HHCS GR5	1
47	NPN	TAG, LUBRICATION	1
	16125	GEARBOX SEAL AND SHIM KIT (NOT SHOWN)	1
	25320	GEARBOX, REBUILT (22327/9.37:1) (NOT SHOWN)	1
	16621	GEARBOX GEAR KIT (9.375:1) (NOT SHOWN)	1



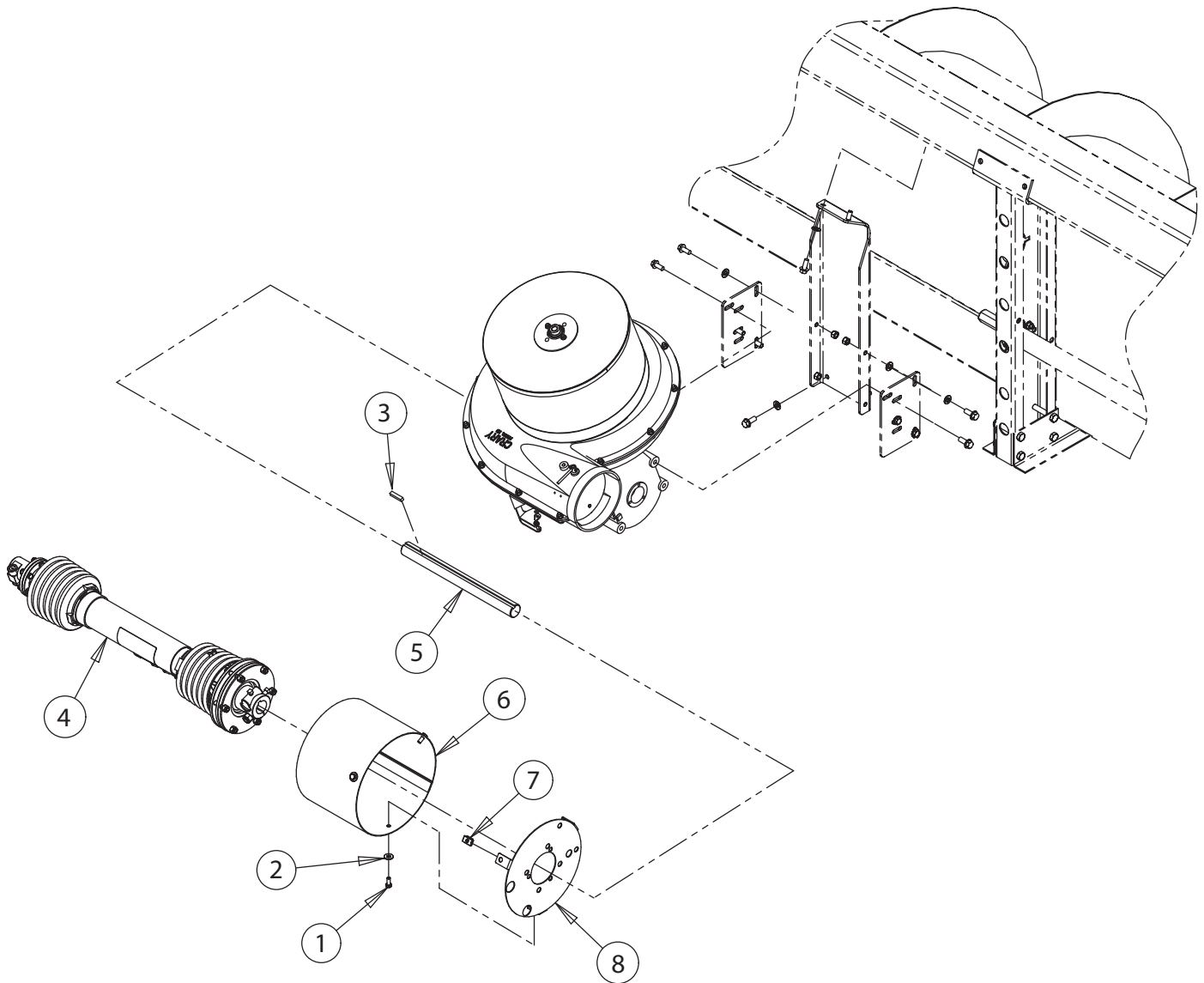
GEARBOX MOUNT KIT (22672)			
ITEM	PART NUMBER	DESCRIPTION	QTY
1	12457	BUSHING, SD 1-3/8" (INCLUDES ITEMS BELOW)	2
	15282	BOLT, 5/16 X 1-1/2 GR5 HEX CPS ZP (NOT SHOWN)	3
2	15012	BOLT, 1/2" X 1" HHCS GR5 ZP	4
3	15612	BOLT, 1/2" X 1-1/4" SERR FLG	12
4	15049	NUT, 1/2" CENTERLOCK GRB ZP	4
5	15034	WASHER, 1/2" FLAT ZP	12
6	15498	KEY, 5/16" SQUARE X 1-1/2"	2
7	22623	PLATE, MOUNT SUPPORT CIH 1010-1020	1
8	22624	PLATE, GEARBOX MOUNT CIH 1010-1020	2
9	22696	WELDMENT, SHIELD	1
	16067	ADAPTER, -10MORING/-8MJIC 45 DEGREE (NOT SHOWN)	2
	12310	HYD. HOSE ASSY, 2X-8FMJICSW (72") (NOT SHOWN)	2



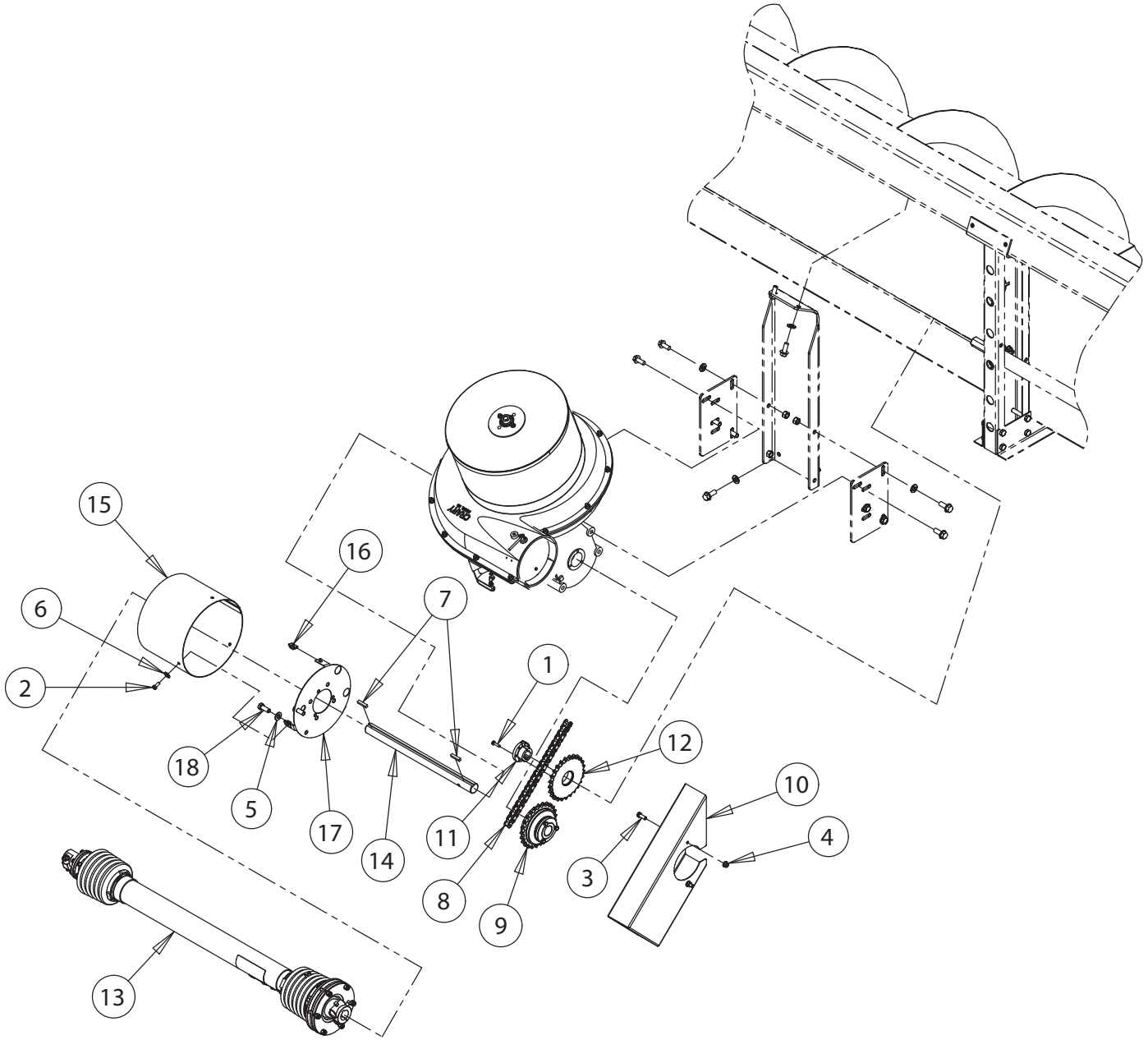
GEARBOX MOUNT KIT (24043)			
ITEM	PART NUMBER	DESCRIPTION	QTY
1	12457	BUSHING, SD 1-3/8" (INCLUDES ITEM BELOW)	2
	15282	BOLT, 5/16 X 1-1/2 GR5 HEX CPS ZP (NOT SHOWN)	3
2	15012	BOLT, 1/2" X 1" HHCS GR5 ZP	4
3	15612	BOLT, 1/2" X 1-1/4" SERR FLG	12
4	15049	NUT, 1/2" CENTERLOCK GRB ZP	4
5	15034	WASHER, 1/2" FLAT ZP	12
6	15498	KEY, 5/16" SQUARE X 1-1/2"	2
7	22624	PLATE, GEARBOX MOUNT, CIH 1010-1020	2
8	22696	WELDMENT, SHIELD	2
9	24042-12	MOUNT PLATE SUPPORT, CIH 1010-1020	1
	16067	ADAPTER, -10MORING/-8MJIC 45 DEGREE (NOT SHOWN)	2
	12310	HYD. HOSE ASSY, 2X-8FMJICSW (72") (NOT SHOWN)	2



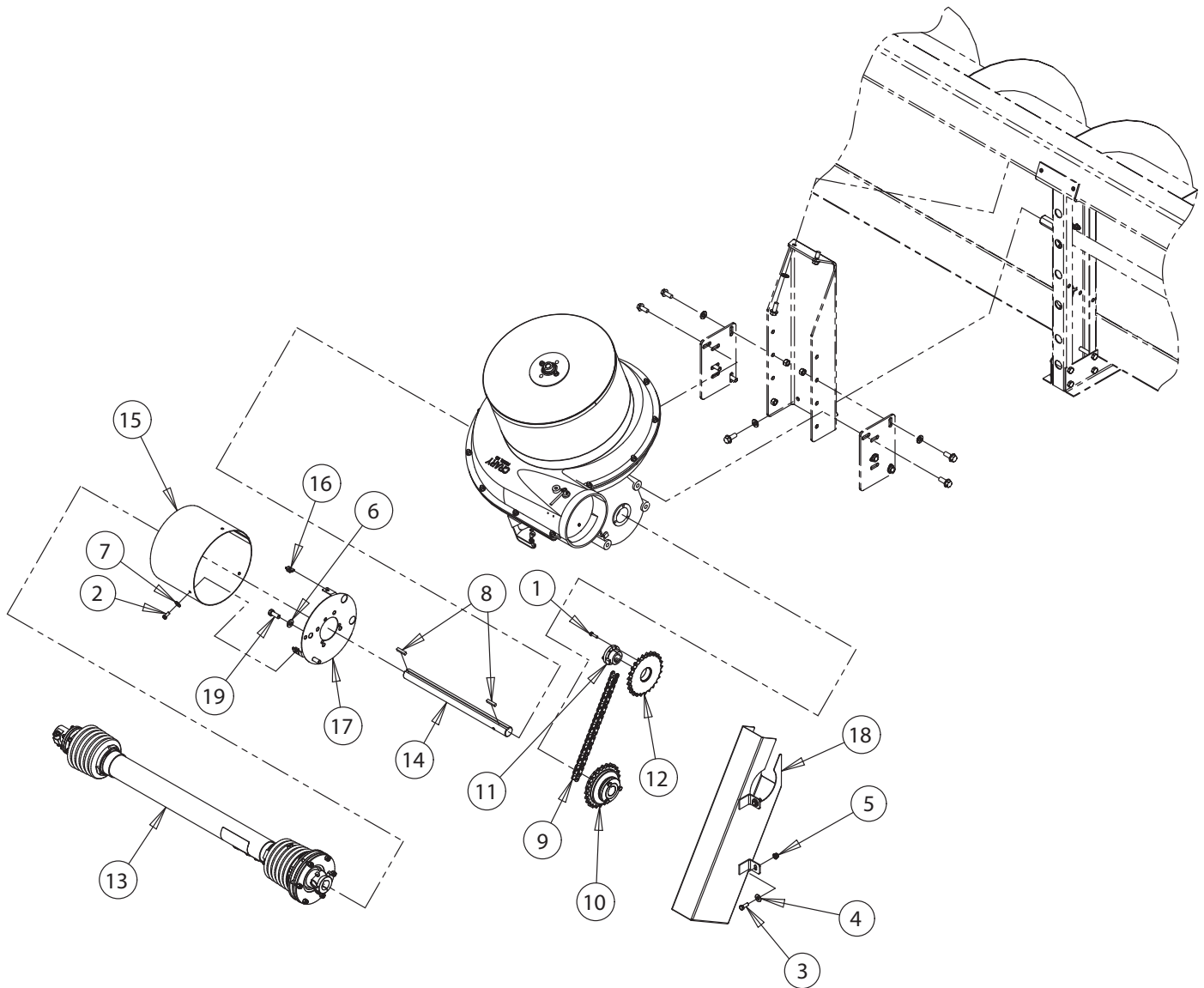
GEARBOX MOUNT KIT (29873)			
ITEM	PART NUMBER	DESCRIPTION	QTY
1	29833-12	GBOX DRIVE LH SHIELD	1
2	29832-12	GBOX DRIVE RH SHIELD	1
3	29831-12	HINGE, SHIELD	2
4	15612	BOLT, 1/2 X 1-1/4" SERRATED FLANGE	8
5	15390	BOLT, 5/16 NC X 6-1/2" GR5 HCS ZP	2
6	15356	NUT, 5/16" NE NYLOCK ZP	2
7	15034	WASHER, 1/2" FLAT ZP-56PCS/LB	4
8	15012	BOLT, 1/2 X 1" GR5 HEX CAPSCREW ZP	4
9	0125-0060-00	LATCH, FLEXIBLE DRAW	2
10	15423	SCW, MCH 10-24 X 1/2" PAN HD, PH ZP	4
11	15557	BOLT, 10-24 X 3/4" HHCS G8 PLAIN	4
12	15397	NUT, 10/24 NYLOCK TYPE NM, ZP	8
13	29815-12	BRACKET, GEARBOX MOUNT (CIH 1010/20)	1
14	29816-12	PLATE, GEARBOX MOUNT (CIH 1010/20)	1
15	15013	BOLT, 1/2" X 1-1/4" GR5 HHCS NC ZP	3
16	0101-0100-00	NUT, 1/2"-13 UC NYLOCK	3
	16067	ADAPTER, -10MORING/-8MJIC 45 DEGREE (NOT SHOWN)	2
	12310	HYD. HOSE ASSY, 2X-8FMJICSW (72") (NOT SHOWN)	2



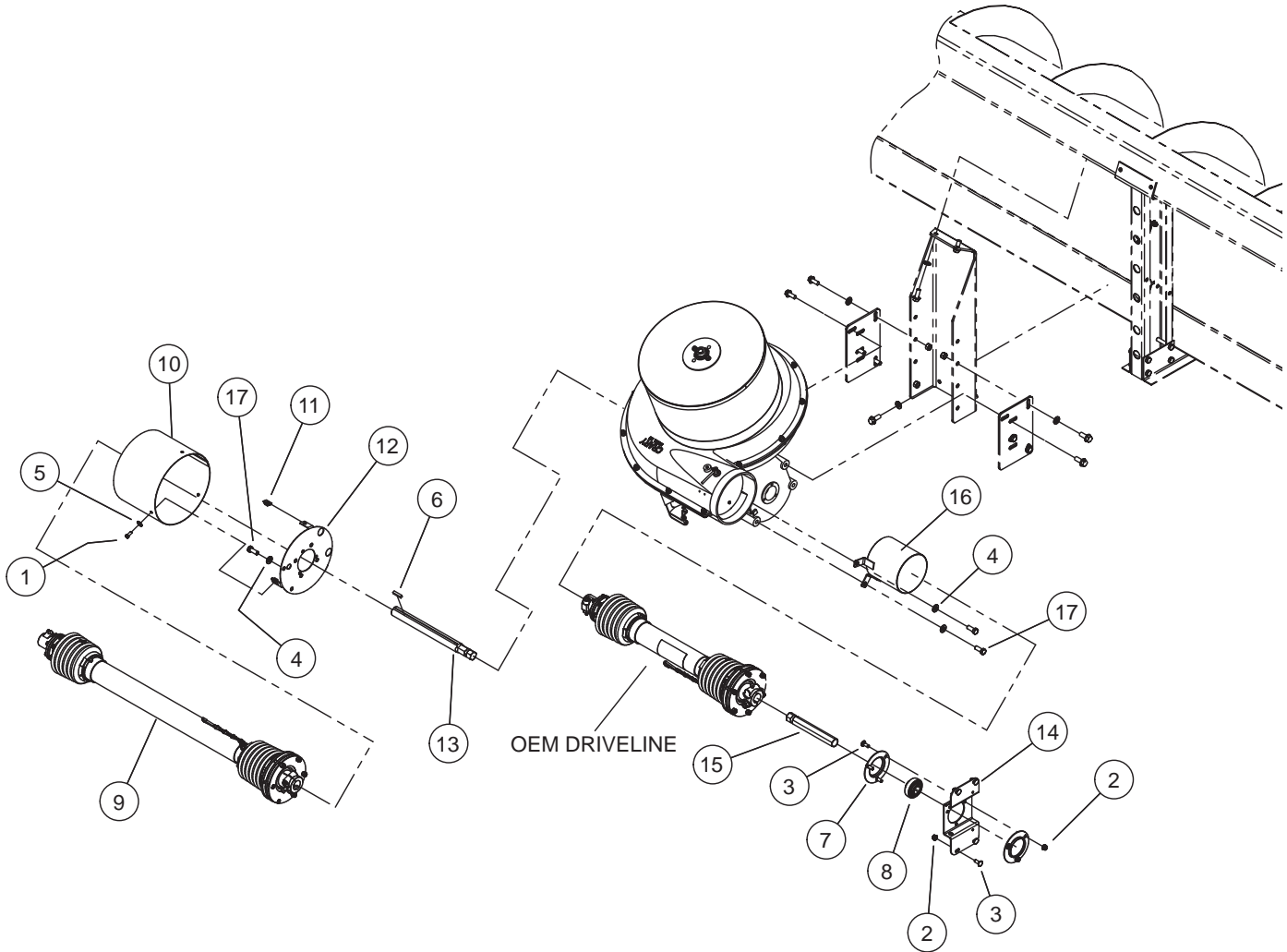
RH DRIVE KIT, 15'-20' (24044) & 22.5'-30' (24045)			
ITEM	PART NUMBER	DESCRIPTION	QTY
1	15003	BOLT, 5/16" X 3/4" HHCS GR5 ZP	3
2	15250	WASHER, 5/16" FLAT ZP	3
3	15498	KEY, 5/16" SQUARE X 1-1/2"	1
4	(SEE DRIVELINE OPTIONS, PAGES 52-55)		
5	24036	SHAFT, GEARBOX DRIVE	1
6	24037-12	SHIELD, SLIP CLUTCH	1
	24039	ASSEMBLY, SHIELD MOUNT PLATE (INCLUDES ITEMS 7-8)	1
7	15402	NUT, 2/16" TINNEMAN, U-TYPE	3
8	24038-12	SHIELD MOUNT PLATE	1



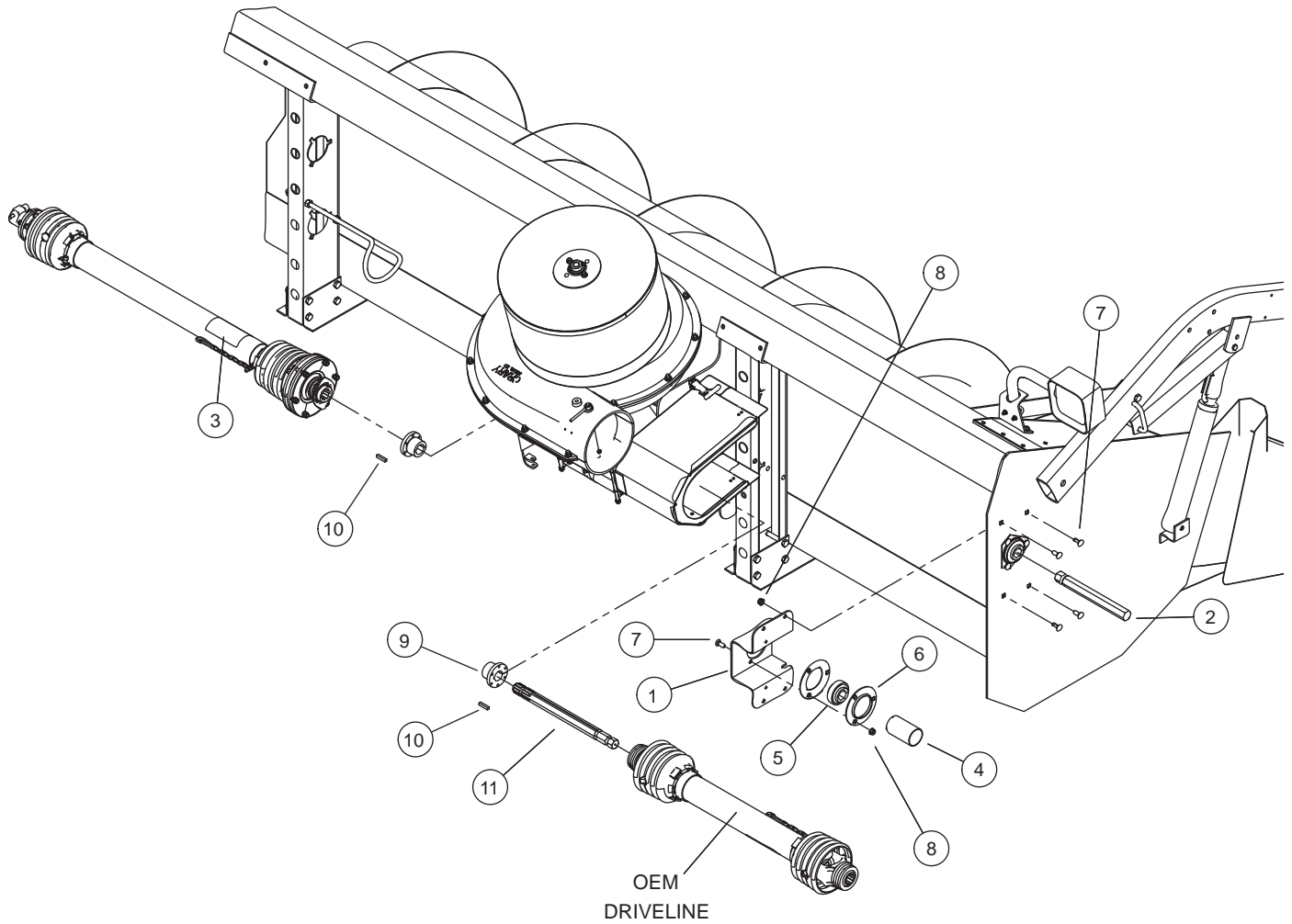
RH DRIVE KIT, 15'-20' (24047) & 22.5' (24048)			
ITEM	PART NUMBER	DESCRIPTION	QTY
1	15002	BOLT, 1/4" X 1" HHCS GR5 ZP	3
2	15003	BOLT, 5/16" X 3/4" HHCS GR5 ZP	3
3	15006	BOLT, 3/8" X 1" HHCS GR5 ZP	2
4	15051	NUT, 3/8" SERRATED FLANGE NC ZP	2
5	15097	WASHER, 1/2" SAE FLAT ZP	2
6	15250	WASHER, 5/16" FLAT ZP	3
7	15498	KEY, 5/16" SQUARE X 1-3/4"	2
8	16490	CHAIN, #60 X 43"	1
9	23229	ASSEMBLY, TORQUE LIMITER CLUTCH (SEE PAGE 56)	1
10	23240	SHIELD, CHAIN DRIVE	1
11	23903	BUSHING, SH 1-1/8" HEX	1
12	23904	WELDMENT, SPROCKET/HUB	1
13		(SEE DRIVELINE OPTIONS, PAGES 52-55)	
14	24035	SHAFT, GEARBOX DRIVE	1
15	24037-12	SHIELD, SLIP CLUTCH	1
	24039	ASSEMBLY, SHIELD MOUNT PLATE (INCLUDES ITEMS 16-17)	1
16	15402	NUT, 5/16" TINNERMAN, U-TYPE	3
17	24038-12	SHIELD MOUNT PLATE	1
18	15013	BOLT, 1/2" X 1-1/4" GR5 HHCS NC ZP	2



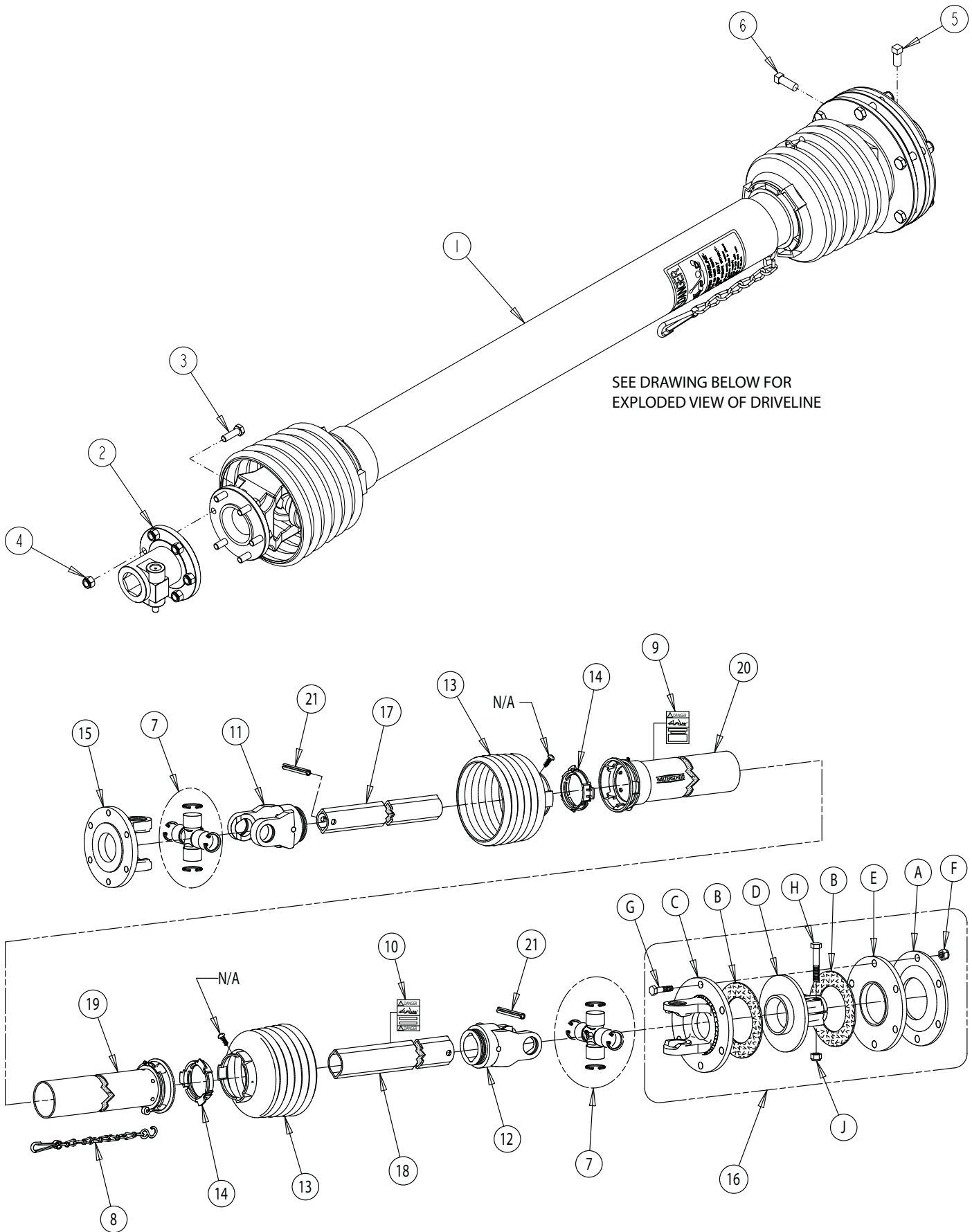
RH DRIVE KIT (24049)			
ITEM	PART NUMBER	DESCRIPTION	QTY
1	15002	BOLT, 1/4" X 1" HHCS GR5 ZP	3
2	15003	BOLT, 5/16" X 3/4" HHCS GR5 ZP	3
3	15006	BOLT, 3/8" X 1" HHCS GR5 ZP	2
4	15031	WASHER, 3/8" FLAT ZP	2
5	15051	NUT, 3/8" SERRATED FLANGE NC ZP	2
6	15097	WASHER, 1/2" SAE FLAT ZP	2
7	15250	WASHER, 5/16" FLAT ZP	3
8	15498	KEY, 5/16" SQUARE X 1-1/2"	2
9	16947	CHAIN, #60 X 67	1
10	23229	ASSEMBLY, TORQUE LIMITER CLUTCH) (SEE PAGE 56)	1
11	23903	BUSHING, SH 1-1/8" HEX	1
12	23904	WELDMENT, SPROCKET/HUB	1
13	(SEE DRIVELINE OPTIONS, PAGES 52-55)		
14	24035	SHAFT, GEARBOX DRIVE	1
15	24037-12	SHIELD, SLIP CLUTCH	1
	24039	ASSEMBLY, SHIELD MOUNT PLATE (INCLUDES ITEMS 16-17)	1
16	15402	NUT, 5/16" TINNERMAN, U-TYPE	3
17	24038-12	SHIELD MOUNT PLATE	1
18	24111-12	WELDMENT, CHAIN DRIVE SHIELD	1
19	15013	BOLT, 1/2" X 1-1/4" HHCS NC GR5 ZP	2



RH DRIVE KIT (25763)			
ITEM	PART NUMBER	DESCRIPTION	QTY
1	15003	BOLT, 5/16" X 3/4" HHCS GR5 ZP	3
2	15051	NUT, 3/8" SERRATED FLANGE NC ZP	7
3	15057	BOLT, 3/8" X 1" CARRIAGE NC GR5 ZP	7
4	15097	WASHER, 1/2" SAE FLAT ZP	4
5	15250	WASHER, 5/16" FLAT ZP	3
6	15498	KEY, 5/16" SQUARE X 1-3/4"	1
7	17060	FLANGETTE, 72MS RND 3 BIT, 1-3/8" ZP	2
8	17062	BEARING, 1-1/8" HEX 207 KRRB9	1
9	(SEE DRIVELINE OPTIONS, PAGES 52-55)		
10	24037-12	SHIELD, SLIP CLUTCH	1
	24039	ASSEMBLY, SHIELD MOUNT PLATE (INCLUDES ITEMS 11-12)	1
11	15402	NUT, 5/16" TINNEMAN, U-TYPE	3
12	24038-12	SHIELD MOUNT PLATE	1
13	25756-00	SHAFT, GEARBOX DRIVE	1
14	25757-12	BRACKET, BEARING MOUNT	1
15	25758-00	SHAFT, RIGHT HAND DRIVE	1
16	25762-12	WELDMENT, SHIELD	1
17	15013	BOLT, 1/2" X 1-1/4" HHCS NC GR5 ZP	4



RH DRIVE KIT (29871)			
ITEMS	PART NUMBERS	DESCRIPTION	QTY
1	29866-12	BRACKET, BEARING MOUNT	1
2	29865-00	SHAFT, CIH 10250 RH DRIVE	1
3	(SEE DRIVELINE OPTIONS, PAGES 52-57)		
4	29196-00	SHIELD, DRIVE SHAFT (3.65")	1
5	17062	BEARING, 1-1/8 HEX 207 KRRB9	1
6	17060	FLANGETTE, 72MS RND 3 BIT, ZP	2
7	15057	BOLT, CARR 3/8 X 1" GR5 NC ZP	7
8	15051	NUT, 3/8" SERRATED FLANGE NC ZP	7
9	12457	BUSHING, SD 1-3/8"	2
10	15498	KEY, 5/16" X 1-1/2" SQUARE	2
11	53102-00	SHAFT, 1-3/8" 6 SPLINE TO HEX	1

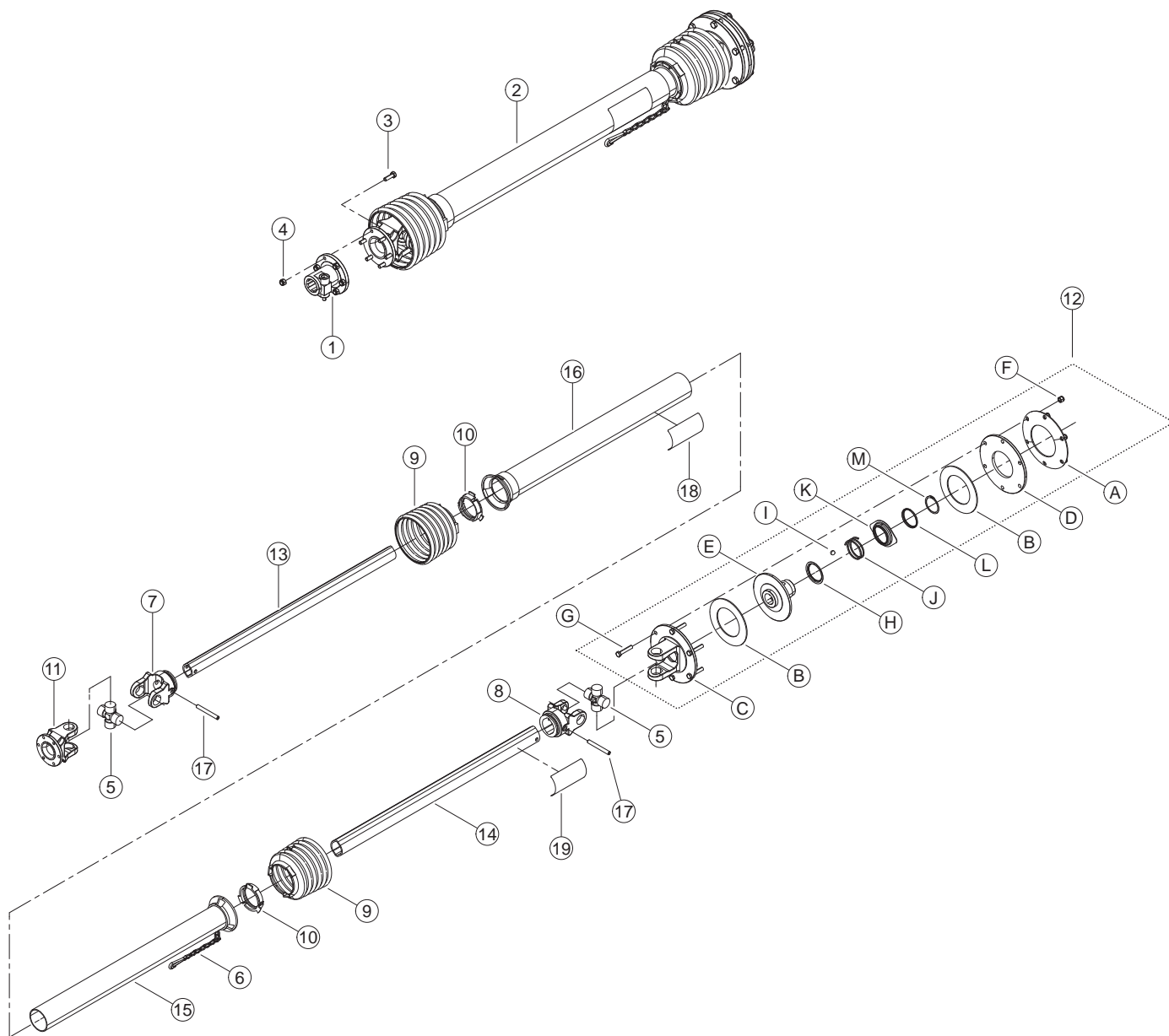


HEADER WIDTH	YEAR OF HEADER	AIR REEL SERIAL #	DRIVELINE KIT NUMBER		
			27680-00	27682-00	29858-00*
15'-20'	ALL	ALL	X		
22.5'	ALL	ALL		X	
25'	1992 & EARLIER	ALL	X		
	1993 & LATER	0-706454		X	
	1993 & LATER	706455-CURRENT			X
30'	ALL	ALL			X

*SEE PAGES 54-55 FOR PART # 29858-00

DRIVELINE/C-FLANGE ASSEMBLY (24027 & 24028)				
ITEM	PART NUMBER	DESCRIPTION	27680-00 QTY	27682-00 QTY
1	16934	HEADER DRIVELINE W/CLUTCH (S) (SEE TABLE BELOW)	1	
	16935	HEADER DRIVELINE W/CLUTCH (L) (SEE TABLE BELOW)		1
2	13911-00	COUNTER FLANGE, 1-1/8", HEX, W/QD	1	1
3	15219	BOLT, 5/16" X 1" HHCS NC GR5 ZP	6	6
4	15356	NUT, 5/16" NE NYLOCK ZP	6	6
5	15256	SCREW, 3/8" X 3/4" SQUARE HEAD SET ZP	1	1
6	15070	SCREW, 3/8" X 1" SQUARE HEAD SET	1	1

DRIVELINE SERVICE PARTS				
ITEM	PART NUMBER	DESCRIPTION	16934 QTY	16935 QTY
7	0883-0120-00	KIT, CROSS AND BEARING W-2400	2	2
8	12209	CHAIN, SAFETY	1	1
9	12210	DECAL, OUT	1	1
10	12211	DECAL, IN	1	1
11	12215	YOKE, INBOARD 1B	1	1
12	12218	YOKE, INBOARD 2A	1	1
13	12220	CONE, 6 RIB SAFETY	2	2
14	12223	RING, SC25, BEARING	2	2
15	14714-00	YOKE, FLANGE	1	1
16	14722-00	CLUTCH, FRICTION (INCLUDES ITEMS A-J)	1	1
A	14061-00	SPRING, BELVILLE (WALTERSCHEID)	1	1
B	14062-00	SET, FRICTION DISC (WALTERSCHEID)	1	1
C	14720-00	YOKE, FLANGE	1	1
D	14721-00	HUB, CLUTCH	1	1
E	14736-00	PLATE, THRUST	1	1
F	15647	NUT, M10 X 1.5 HEX NYLOCK TYP NE YZP	6	6
G	15747-00	BOLT, M10 X 1.5 X 50 CLASS 8.8 HCPS	6	6
H	15748-00	BOLT, M12 X 1.75 X 65 CLASS 8.8 HCPS	1	1
J	15749-00	NUT, M12 X 1.75 HEX NYLOCK TYPE NE YZP	1	1
17	14728-00	PROFILE, INNER 1B, (SHORT)	1	
	14732-00	PROFILE, INNER 1B, (LONG)		1
18	14729-00	PROFILE, OUTER 2A, (SHORT)	1	
	14733-00	PROFILE, OUTER 2A, (LONG)		1
19	14730-00	TUBE, INNER SHIELD, (SHORT)	1	
	14734-00	TUBE, INNER SHIELD, (LONG)		1
20	14731-00	TUBE, OUTER SHIELD, (SHORT)	1	
	14735-00	TUBE, OUTER SHIELD, (LONG)		1
21	15575	PIN, M10 X 80, SPRING	2	2



09/13

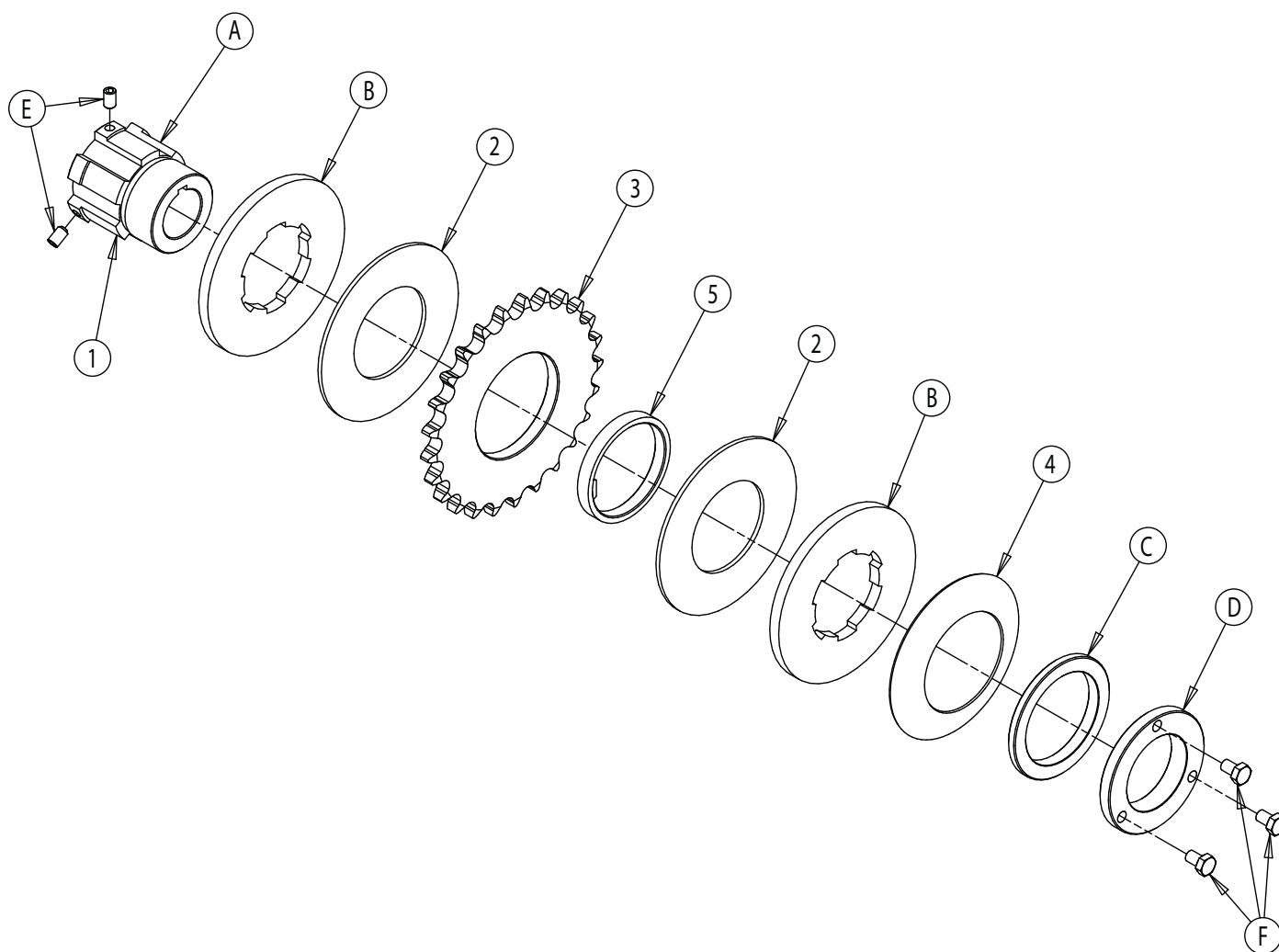
25' & 30' HEADERS 1993 & LATER
S/N 706455-CURRENT**DRIVELINE/C FLANGE ASSEMBLY**

HEADER WIDTH	YEAR OF HEADER	AIR REEL SERIAL #	DRIVELINE PART NUMBER		
			27680-00*	27682-00*	29858-00
15'-20'	ALL	ALL	X		
22.5'	ALL	ALL		X	
25'	1992 & EARLIER	ALL	X		
	1993 & LATER	0-706454		X	
	1993 & LATER	706455-CURRENT			X
30'	ALL	ALL			X

*SEE PAGES 52-53 FOR PART #'S 27680-00 & 27682-00

DRIVELINE/C-FLANGE ASSEMBLY			
ITEM	PART NUMBER	DESCRIPTION	29858-00 QTY
1	13911-00	COUNTER FLANGE, 1-1/8" HEX	1
2	14389-00	DRIVELINE/CLUTCH, 1-3/8" 6 SPLINE(L) (SEE TABLE BELOW)	1
3	15219	BOLT, 5/16 X 1 HEX HD GR5 ZP	6
4	15356	NUT, 5/16 NE NYLOCK ZP	6

ASSEMBLY, DRIVELINE/CLUTCH			
ITEM	PART NUMBER	DESCRIPTION	14389-00 QTY
5	0883-0120-00	KIT, CROSS & BEARING W-2400	2
6	12209	SAFETY CHAIN	1
7	12215	YOKE, INBOARD 1B	1
8	12218	YOKE, INBOARD 1A	1
9	12220	CONE, 6 RIB SAFETY	2
10	12232	RING, SC25 BEARING	2
11	14714-00	YOKE, FLANGE	1
12	14744-00	CLUTCH, FRICTION (INCLUDES ITEMS A-M)	1
A	14061-00	SPRING, BELVILLE (W/SHIELD)	1
B	14062-00	SET, FRICTION DISC	1
C	14720-00	YOKE, FLANGE	1
D	14736-00	PLATE, THRUST	1
E	14737-00	HUB, CLUTCH	1
F	15647	NUT, M10 X 1.5 HEX NYLOCK TYPE NE	6
G	15747-00	BOLT, M10 X 1.5 X 50 CLASS 8.8 HC	6
H	14738-00	BACKUP RING	1
I	14739-00	BALL, CLUTCH	3
L	14740-00	SPRING, COMPRESSION	1
K	14741-00	COLLAR, LOCK	1
L	14742-00	RING, BACKUP	1
M	14743-00	RING, SNAP	1
13	14732-00	PROFILE, INNER 1B (LONG)	1
14	14733-00	PROFILE, OUTER 2A (LONG)	1
15	14734-00	TUBE, INNER SHIELD (LONG)	1
16	14735-00	TUBE, OUTER SHIELD (LONG)	1
17	15575	PIN, M10 X 80 SPRING	2
18	12210	DECAL, OUT	1
19	12211	DECAL, IN	1



TORQUE LIMITER, AUGER DRIVE SHAFT (23229)			
ITEM	PART NUMBER	DESCRIPTION	QTY
1	16494	CLUTCH, TORQUE LIMITER (INCLUDES ITEMS A-F)	1
A	NPN	HUB	1
B	NPN	PRESSURE PLATE	2
C	NPN	RETAINER, SPRING	1
D	NPN	NUT, ADJUSTING	1
E	NPN	SCREWS, 5/16" SET	2
F	NPN	SCREWS, ADJUSTING NUT	3
2	12115	SET, CLUTCH DISC	1
3	16495	SPROCKET, 60A25	1
4	12936-00	SPRING, CLUTCH	1
5	16496	BUSHING, SPROCKET	1

1



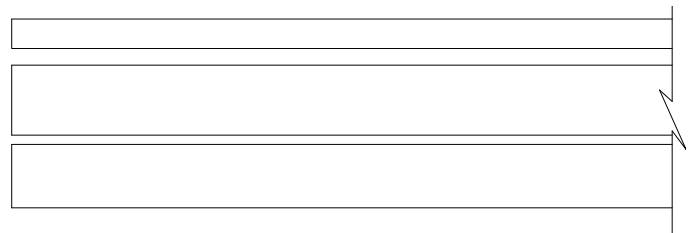
2



3



4



5

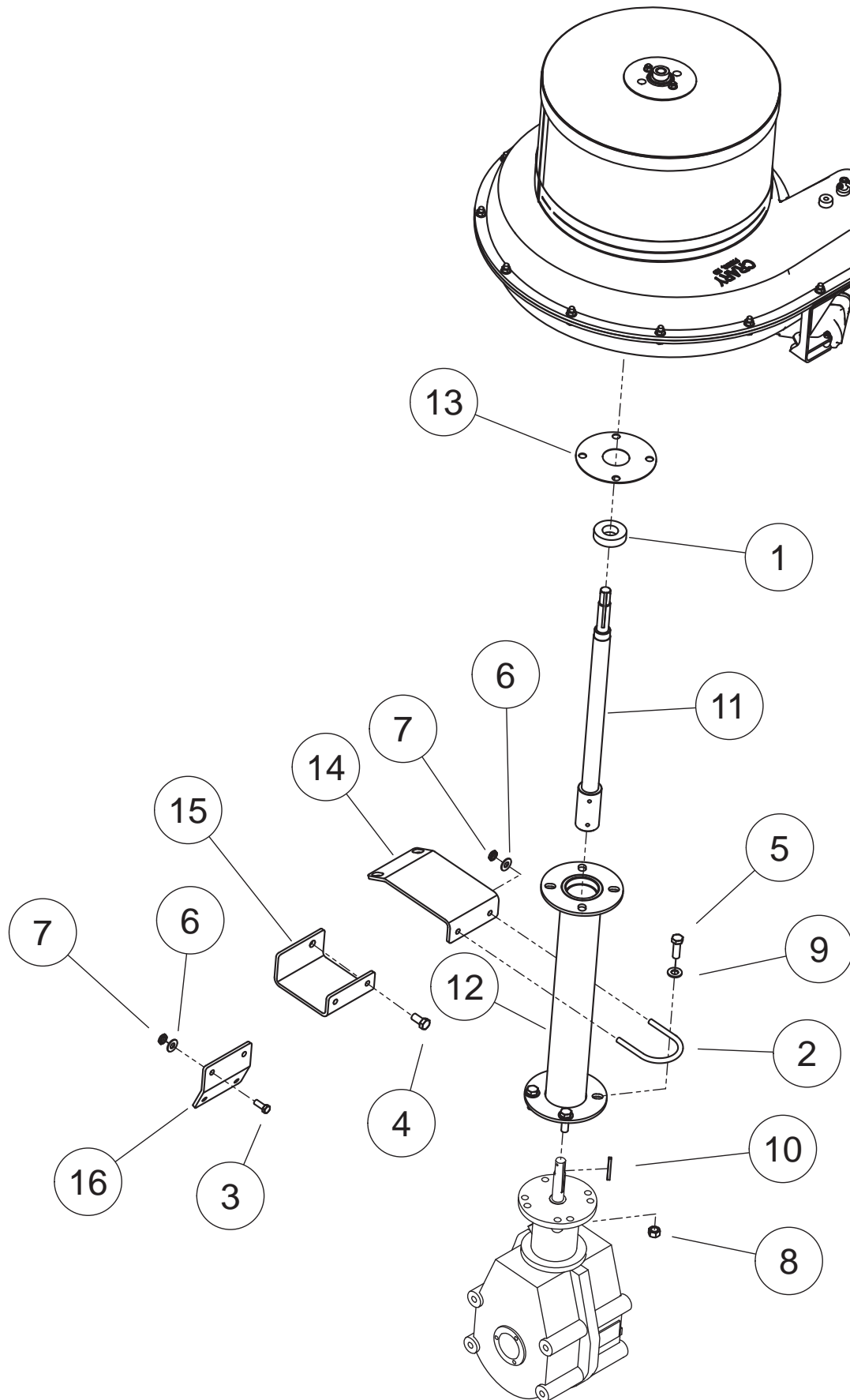


ITEM	PART NUMBER	DESCRIPTION	QTY
1	11001	DECAL, CAUTION	1
2	17224	DECAL CTR MANIFOLD DIRECTION	1
3	11002	DECAL, WARNING	1
4	16722	AIR REEL STRIPING	NA
5	11012	DECAL, CRARY AIR REEL	1



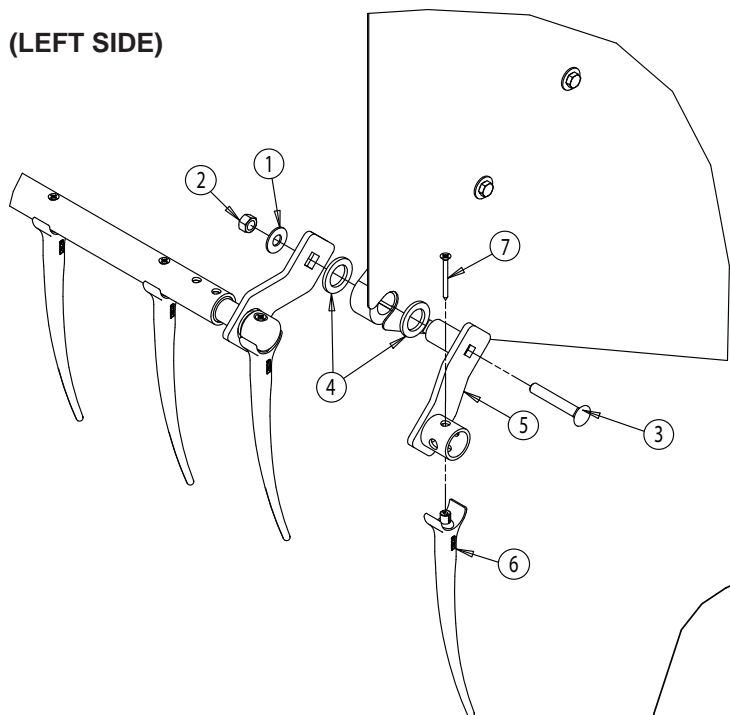
Parts Catalog Air Reel

OPTIONS

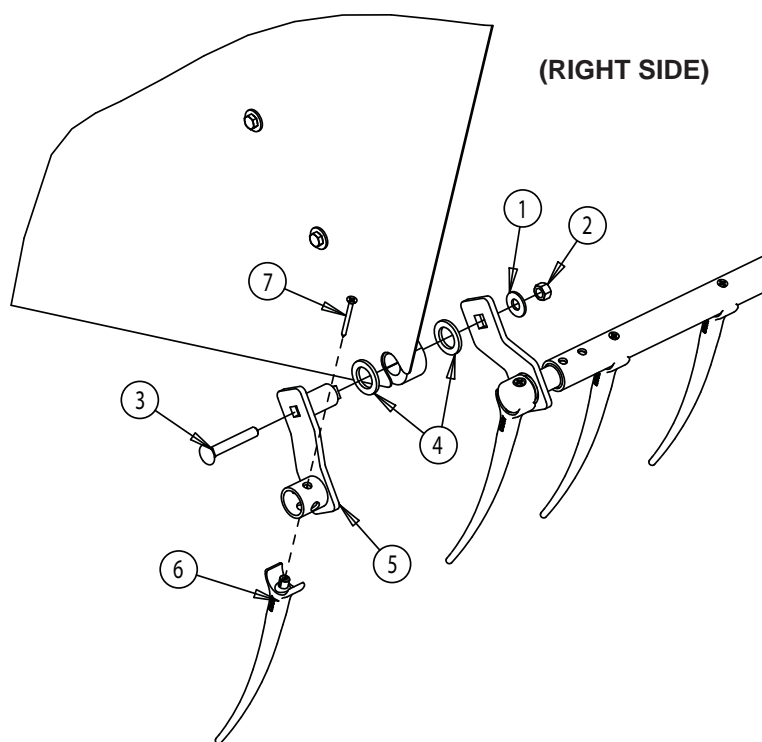


GEARBOX/FAN EXTENSION KIT (24493)			
ITEM	PART NUMBER	DESCRIPTION	QTY
1	10218	30 MM BEARING	1
2	13014	U-BOLT, FAN MOUNT 3/8 X 3 X 4" ZP	1
3	15006	BOLT, 3/8" X 1" GR5 HEX CAPSCREW ZP	2
4	15012	BOLT, 1/2" X 1" GR5 HEX CAPSCREW ZP	2
5	15014	BOLT, 1/2" X 1-1/2" GR5 HEX CAPSCREW ZP	4
6	15031	WASHER, 3/8" FLAT ZP	2
7	15042	NUT, 3/8" HEX NUT NC ZP	4
8	15049	NUT, 1/2" CENTER LOCKNUT ZP	4
9	15097	WASHER, 1/2" SAE FLAT ZP	4
10	22341	KEY, 3/16" SQ X 2" PLAIN	1
11	24642	SHAFT/COUPLER WELDMENT	1
12	24495-12	HUB, MACHINED EXTENSION	1
13	24510-12	PLATE, BEARING RETAINER	1
14	24638-12	BRACKET, EXTENSION SUPPORT - CASE IH (SHORT)	1
	24639-12	BRACKET, EXTENSION SUPPORT - CASE IH (LONG)	1
15	24640-12	BRACKET, EXTENSION SUPPORT - JD/NH	1
16	24641-12	BRACKET, EXTENSION SUPPORT - GLEANER	1

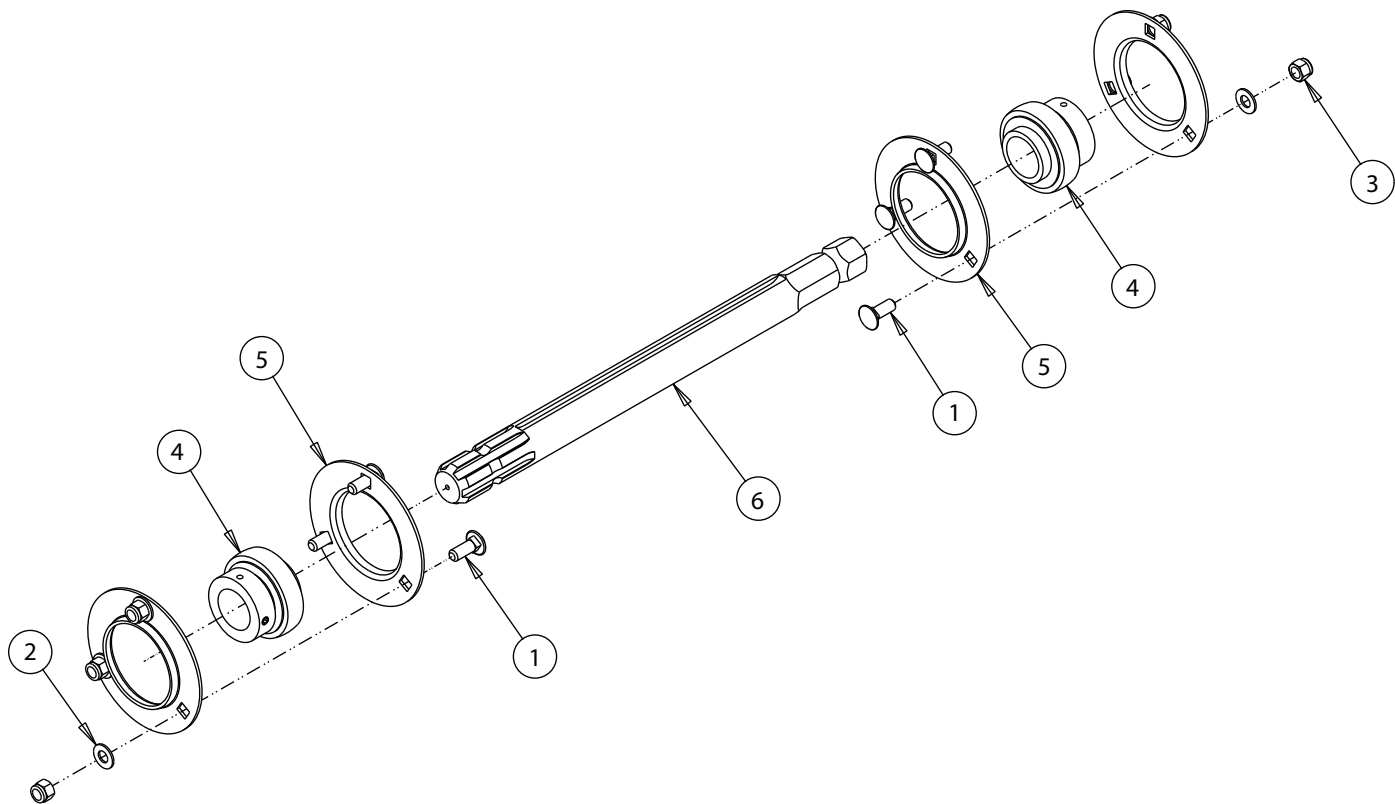
(LEFT SIDE)



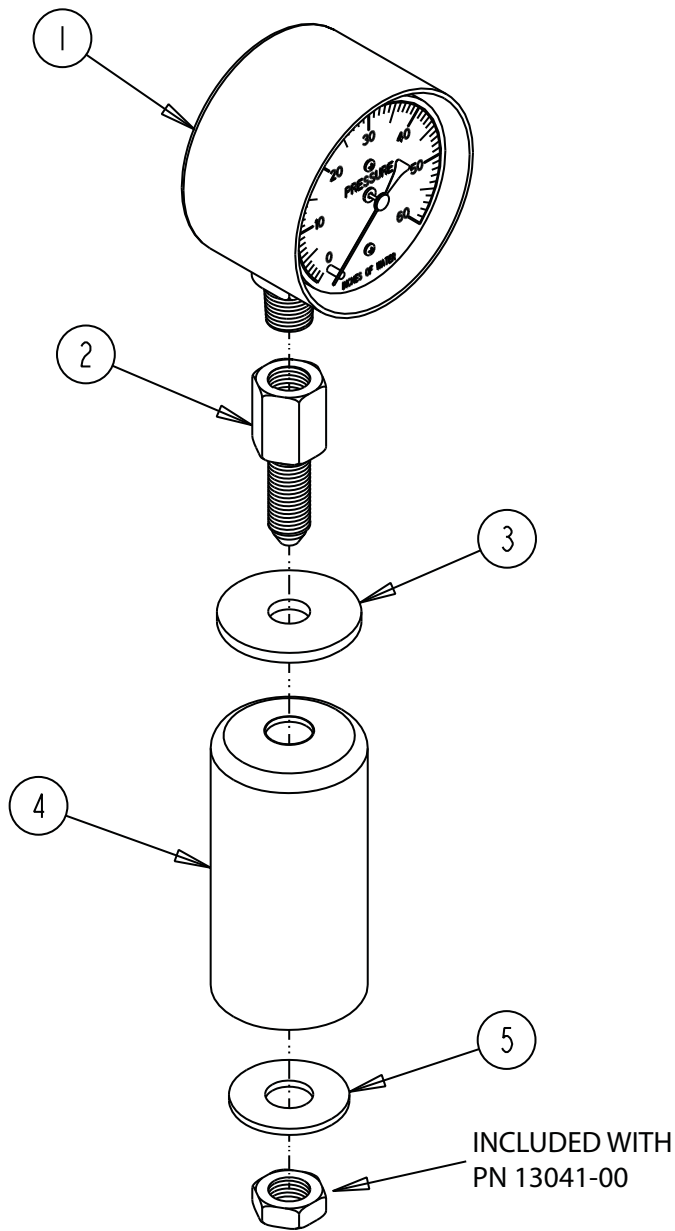
(RIGHT SIDE)



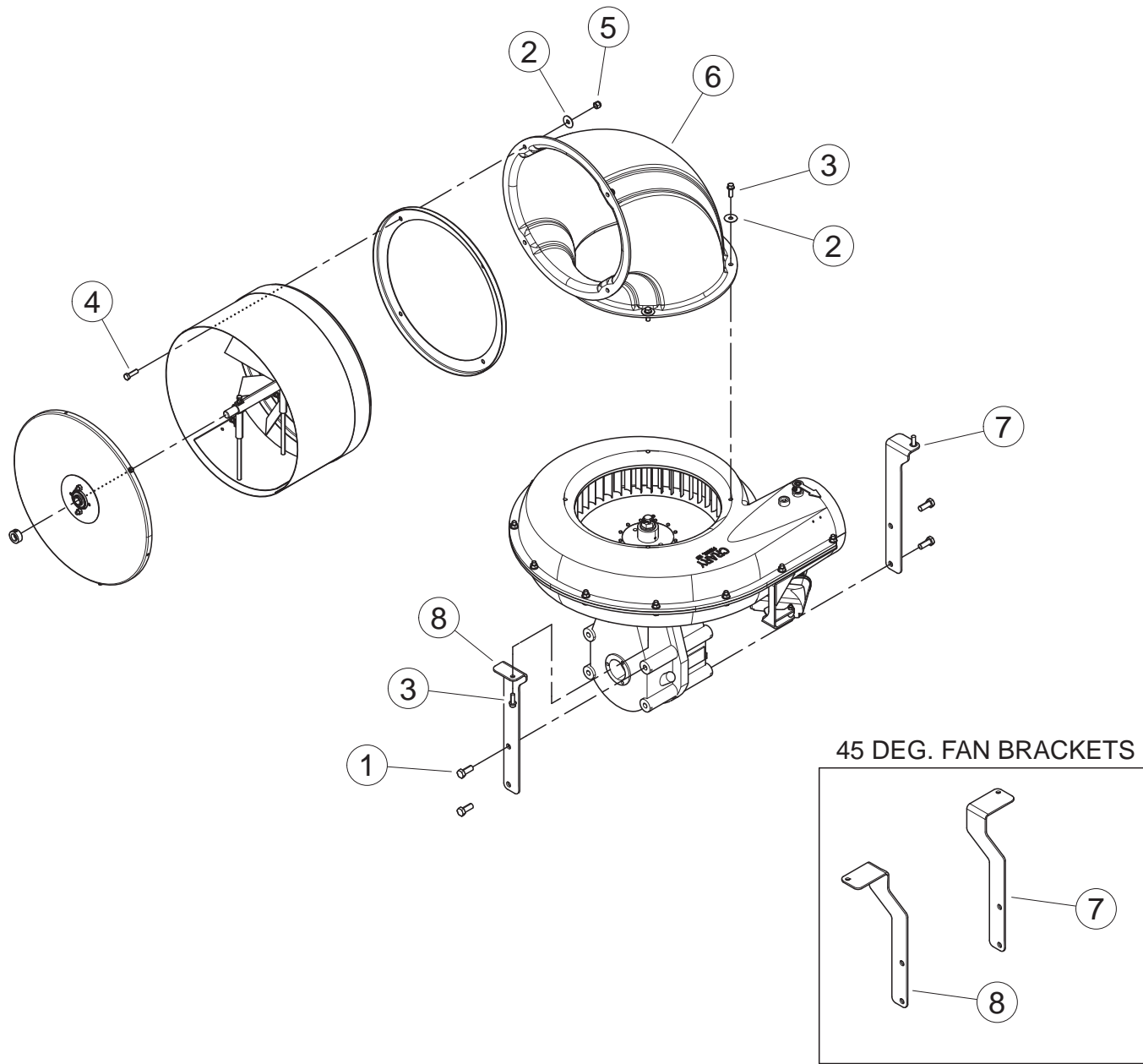
AUXILIARY REEL TINE KIT (25605)			
ITEM	PART NUMBER	DESCRIPTION	QTY
1	15031	WASHER, 3/8" FLAT ZP	2
2	15047	NUT, 3/8 CENTER LOCKNUT ZP	2
3	15115	BOLT, CRG 3/8 X 2-1/2" GR5 NC SP	2
4	15302	STL MCH BSH, 7/8 ID NAR-RIM 10GA	4
	25602-00	RH AUX. REEL TINE ASSEMBLY (INCLUDES ITEMS 5-7)	1
5	25601-12	PIVOT STRAP/TUBE WELDMENT	1
6	12529	TINE, PLASTIC REEL	1
7	15597	SCREW, 12-14 X 2" FLAT HD, THD. FORM	1
	25603-00	LH AUX. REEL TINE ASSEMBLY (INCLUDES ITEMS 5-7)	1
5	25601-12	PIVOT STRAP/TUBE WELDMENT	1
6	12529	TINE, PLASTIC REEL	1
7	15597	SCREW, 12-14 X 2" FLAT HD, THD. FORM	1



KIT, NEUTRAL DRIVE SHAFT (53107)			
ITEM	PART NUMBER	DESCRIPTION	QTY
1	15057	BOLT, 3/8 X 1 CRG	6
2	15260	WASHER, 3/8 SAE FLAT	6
3	15388	NUT, 3/8" NYLOCK	6
4	17059	BEARING, 1-3/8 IN. ROUND BORE	2
5	17060	FLANGETTE, 72MSI - 3/8 IN.	4
6	53102-00	SHAFT, 1-3/8" 6 SPLINE TO HEX	1



ASSEMBLY, STATIC PRESSURE GAGE (53094-00)			
ITEM	PART NUMBER	DESCRIPTION	QTY
1	36195-00	GAGE, LOW PRESSURE AIR	1
2	13041-00	ADAPTOR, -4FMNPT/-4MJIC BULKHEAD	1
3	0937-0013-00	WASHER, .438 X 1.500 X .125	1
4	53093-00	GRIP, ROUND VINYL (W/HOLE)	1
5	15032	WASHER, 7/16 FLAT	1



KIT, SCREEN ELBOW				
ITEM	PART NUMBER	DESCRIPTION	54041 QTY.	54292 45 DEG. QTY.
1	15013	BOLT, 1/2*1-1/4" GR5 HHCS NC ZP	4	4
	15478	BOLT, 1/2X1 3/4 GR5 HCPS NC ZP	4	4
2	15041	WASHER, 3/8" FENDER ZP-32PCS/LB	8	8
3	15076	SCREW,3/8-16*1"LG THD CUTT ZP	6	6
4	15364	BOLT, 3/8 X 1-1/4" HEX HD GR5 ZP	4	4
5	15388	NUT, 3/8" NE NYLOCK ZP	4	4
6	31700-00	ELBOW, 90 DEG. INLET	1	1
7	54214-12	BRACKET, RH BRACE	1	
	54291-12			1
8	54215-12	BRACKET, LH BRACE	1	
	54290-12			1



Parts Catalog Air Reel

PARTS INDEX

Part #	Page(s)	Part #	Page(s)	Part #	Page(s)
0101-0100-00	43	15013	43, 47, 49, 50, 65	15749-00	53
0103-0711-00	14, 15	15014	25, 35, 37, 61	16067	25, 40, 41, 43
0103-0714-00	31	15031	3, 5, 7, 9, 11, 14, 15, 49, 61, 62	16091	32
0125-0060-00	43	15032	64	16092	32
0201-0077-00	39	15034	25, 40, 41, 43	16125	39
0201-0078-00	39	15041	65	16449	35
0883-0120-00	53, 55	15042	61	16490	47
0937-0013-00	64	15043	29, 31	16494	56
7022	35, 37	15047	11, 13, 14, 15, 29, 31, 62	16495	56
10218	61	15049	25, 29, 31, 35, 37, 40, 41, 61	16496	56
11001	3, 5, 7, 9, 57	15051	32, 35, 37, 47, 49, 50, 51	16516	25
11002	3, 5, 7, 9, 57	15053	31, 35, 37	16544	31
11012	3, 5, 7, 9, 57	15055	35, 37	16621	39
12050	25	15057	3, 5, 7, 9, 13, 29, 31, 50, 51, 63	16624	39
12115	56	15068	35, 37	16625	39
12146	32	15070	53	16722	3, 57
12167	33	15076	35, 37, 65	16807	39
12209	53, 55	15086	29, 31	16814	39
12210	53, 55	15087	35, 37	16815	39
12211	53, 55	15092	29, 31	16817	39
12215	53, 55	15095	35, 37	16819	39
12218	53, 55	15097	47, 49, 50, 61	16820	39
12220	53, 55	15098	35, 37	16821	39
12223	53	15099	35, 37	16934	53
12232	55	15115	62	16935	53
12310	40, 41, 43	15129	35	16947	49
12457	40, 41, 51	15140	12, 27	17059	63
12491	25	15154	3, 5, 7, 9	17060	50, 51, 63
12506	31	15174	31	17062	50, 51
12529	23, 62	15176	3, 5, 7, 9, 11	17224	3, 5, 7, 9, 57
12936-00	56	15178	17, 19, 21	17313	11
13014	61	15219	27, 53, 55	17404	12, 27
13041-00	64	15238	35	17406	3, 5, 7, 9
13460-00	35, 37	15250	14, 15, 27, 45, 47, 49, 50	17407	3, 5, 7, 9
13768-00	3, 5, 7, 9	15256	53	17410	32
13901	33	15260	13, 63	17437	32
13911-00	53, 55	15282	17, 19, 21, 40, 41	17444	3, 5, 7, 9
14022-00	7, 9, 25	15300	27	17622	12, 27
14056-00	35, 37	15302	62	17629	14, 15
14061-00	53, 55	15342	35, 37	17634	12
14062-00	53, 55	15351	37	17669	11
14389-00	55	15356	3, 5, 7, 9, 11, 12, 25, 27, 43, 53, 55	17670	11
14714-00	53, 55	15364	35, 37, 65	17703	3, 5, 7, 9, 11
14720-00	53, 55	15367	37	17777	32
14721-00	53	15375	31	17843	29, 31
14722-00	53	15382	32	17849	33
14728-00	53	15388	3, 5, 7, 9, 63, 65	17850	33
14729-00	53	15390	43	18048-00	33
14730-00	53	15396	12	18998-00	37
14731-00	53	15397	35, 37, 43	21193	35, 37
14732-00	53, 55	15402	45, 47, 49, 50	21194	35, 37
14733-00	53, 55	15403	12, 27	21444	35
14734-00	53, 55	15423	43	21445	35, 37
14735-00	53, 55	15436	3, 5, 7, 9, 11, 25	21512	32
14736-00	53, 55	15478	65	21520	25
14737-00	55	15486	3, 5, 7, 9	21550-12	12, 27
14738-00	55	15498	40, 41, 45, 47, 49, 50, 51	21588	14, 15
14739-00	55	15552	35, 37	21797	14, 15
14740-00	55	15557	43	21924	32
14741-00	55	15562	25	21976	27
14742-00	55	15575	53, 55	22153	11
14743-00	55	15597	23, 62	22164	11
14744-00	55	15612	40, 41, 43, 55	22179	5
15001	35, 37	15647	53, 55	22181	3, 9
15002	47, 49	15747-00	53, 55	22184	5
15003	45, 47, 49, 50	15748-00	53	22185	5, 7, 9
15006	47, 49, 61			22188	5
15008	11			22189	7
15012	40, 41, 43, 61			22192	3, 7

Part #	Page(s)	Part #	Page(s)	Part #	Page(s)
22214.....	29, 31	24273-12.....	5	29919-12.....	37
22220.....	29, 31	24275-12.....	7	29921-12.....	37
22254.....	29	24278-12.....	7	31531-00.....	39
22260.....	29, 31	24318-12.....	27	31532-00.....	39
22290.....	29, 31	24332-12.....	33	31533-00.....	39
22327.....	35, 37, 39	24333.....	33	31534-00.....	39
22341.....	61	24493.....	61	31535-00.....	39
22346.....	11, 12	24495-12.....	61	31700-00.....	65
22347.....	25, 27	24510-12.....	61	36008-00.....	37
22364.....	3, 5, 7, 9	24638-12.....	61	36195-00.....	64
22365.....	5, 7, 9	24639-12.....	61	36222-00.....	39
22374.....	7	24640-12.....	61	36636-00.....	25
22392.....	3	24641-12.....	61	53093-00.....	64
22394.....	5	24642.....	61	53094-00.....	64
22395.....	5	24651-12.....	32	53102-00.....	51, 63
22397.....	5	24905-12.....	14, 15	53107.....	63
22399.....	7	24910-12.....	3, 5, 7, 9	53409-12.....	23
22402.....	7	24917-12.....	3, 5, 7	53411-12.....	23
22405.....	11	24919.....	13, 15	53412-12.....	23
22419.....	11	24920.....	13, 14	53414-12.....	23
22479.....	29, 31	24975-12.....	5, 9	53416-12.....	23
22489.....	25	25320.....	39	53417-12.....	23
22600.....	11	25563-00.....	7, 9	53418-12.....	23
22602.....	11	25564-00.....	5	53419-12.....	23
22603.....	11	25566-00.....	5	53420-12.....	23
22605.....	11	25567-00.....	5	53424-00.....	19, 23
22607.....	11	25569-00.....	3	53425-00.....	19, 23
22609.....	11	25571-00.....	7	53428-00.....	19, 21, 23
22612.....	11	25574-00.....	7	53429-00.....	19, 23
22623.....	40	25576-00.....	7	53430-00.....	19, 23
22624.....	40, 41	25580-00.....	7	53431-00.....	19, 23
22655.....	35, 37	25592-12.....	35, 37	53434-00.....	17, 23
22672.....	40	25601-12.....	62	53435-00.....	17, 23
22696.....	40, 41	25602-00.....	62	53438-00.....	21, 23
22760.....	35, 37	25603-00.....	62	53439-00.....	21, 23
22809.....	29, 31	25605.....	62	53440-00.....	17, 19, 21, 23
22810.....	29, 31	25638-35.....	35	53441-00.....	17, 19, 21, 23
22811.....	29, 31	25641-12.....	35	53442-00.....	19, 23
23152.....	35	25644-12.....	35, 37	53443-00.....	19, 23
23155.....	35	25658-12.....	3, 5, 7, 9	53444-00.....	19, 23
23158.....	35	25756-00.....	50	53445-00.....	19, 23
23161.....	35, 37	25757-12.....	50	53446-00.....	19, 23
23163.....	35, 37	25758-00.....	50	53447-00.....	19, 23
23229.....	47, 49, 56	25760-00.....	3, 5, 7, 9	53454.....	17
23240.....	47	25762-12.....	50	53455.....	17
23501.....	29, 31	25763.....	50	53458.....	19
23903.....	47, 49	27130-12.....	9	53459.....	19
23904.....	47, 49	27134-00.....	9	53460.....	19
24027.....	53	27138-00.....	9	53461.....	19
24028.....	53	27139-00.....	9	53464.....	19
24035.....	47, 49	27175-00.....	17, 19, 21	53465.....	19
24036.....	45	27680-00.....	53	53468.....	19
24037-12.....	45, 47, 49, 50	27680-00*.....	55	53469.....	19
24038-12.....	45, 47, 49, 50	27682-00.....	53	53586-00.....	17, 19, 21
24039.....	45, 47, 49, 50	27682-00*.....	55	53587-00.....	17, 19, 21
24042-12.....	41	29196-00.....	51	53589.....	19
24043.....	41	29815-12.....	43	53590.....	19
24045.....	45	29816-12.....	43	53593.....	21
24047.....	47	29817-00.....	43	53594.....	21
24048.....	47	29831-12.....	43	53626-12.....	11
24049.....	49	29832-12.....	43	53744-00.....	37
24095-11.....	31	29833-12.....	43	53747-12.....	37
24098-11.....	31	29858-00.....	55	53750-35.....	37
24099-11.....	31	29858-00*.....	53	54041.....	65
24100.....	31	29865-00.....	51	54061-00.....	3
24111-12.....	49	29866-12.....	51	54063-00.....	5
24268-12.....	3	29871.....	51	54064-00.....	5
24269-12.....	5	29873.....	43	54066-00.....	5
24272-12.....	5	29917-12.....	37	54068-00.....	7

Part #	Page(s)	Part #	Page(s)	Part #	Page(s)
54071-00	7				
54073-00	9				
54214-12	65				
54215-12	65				
54290-12	65				
54291-12	65				
54292	65				
54829-00	12, 27				
70036	31				



237 12TH ST. NW • P.O. BOX 849
WEST FARGO, ND 58078-0849
PH: 1-800-247-7335 • FAX: (701) 282-9522
www.crary.com



Manufactured in the
United States of America
by Crary Industries