

# **Air Reel** CRARY

## PARTS MANUAL

### **AGCO**

**CHALLENGER FHB SERIES**

**GLEANER SERIES 2, 3, 5, 7 & 8**

**GLEANER/MASSEY FERGUSON 8200**

**MASSEY FERGUSON 9750 & 9850**

## HOW TO REACH US



**WWW.CRARY.COM**

ADDRESS	HOURS	TELEPHONE FAX NUMBER	E-MAIL INTERNET
Crary Industries 237 12th St. NW P.O. Box 849 West Fargo, ND 58078-0849	Mon. - Fri. 8 a.m. to 5 p.m. Central Standard Time	1-800-247-7335 Fax: 1-701-282-9522	For service: serv@crary.com Visit us on the web @ www.crary.com

### Send us Your Warranty Card

**PLEASE TAKE TIME TO FILL IN THE INFORMATION REQUESTED ON THE CARD. WHEN YOU SEND IN THE COMPLETED CARD, WE REGISTER YOUR AIR REEL AND START COVERAGE UNDER OUR LIMITED WARRANTY.**

**TWO SERIAL NUMBER STICKERS ARE INCLUDED WITH EACH AIR REEL. THE DECALS ARE LOCATED ON THE AIR REEL MANIFOLD. PLACE ONE STICKER ON THE WARRANTY REGISTRATION CARD AND MAIL IT BACK TO CRARY INDUSTRIES. PLACE THE SECOND STICKER IN THE OWNER'S MANUAL FOR FUTURE REFERENCE.**

**BUSINESS REPLY MAIL**

FIRST-CLASS MAIL PERMIT NO. 1508 WEST FARGO ND

POSTAGE WILL BE PAID BY ADDRESSEE

CRARY COMPANY  
PO BOX 849  
WEST FARGO ND 58078-9973

NO POSTAGE  
NECESSARY  
IF MAILED  
IN THE  
UNITED STATES

**Limited Warranty Registration**

PLEASE PRINT OR TYPE

Name	Model Number
Street Address	Serial Number
City, State, Zip	Dealership Name
Telephone Number	Street Address
<p><small>PRODUCT</small></p> <p>Finger Air Reel <input type="checkbox"/></p> <p>Big Top <input type="checkbox"/></p> <p>Cyclone (Chaff Spreader) <input type="checkbox"/></p> <p>HYDRA-Stinger <input type="checkbox"/></p> <p>Leveling Auger <input type="checkbox"/></p>	City, State, Zip
<p><small>Combine Information</small></p> <p>Header Width: _____ <input type="checkbox"/> John Deere</p> <p>Header Year: _____ <input type="checkbox"/> Case/IH</p> <p>Header Year: _____ <input type="checkbox"/> New Holland</p> <p>Header Year: _____ <input type="checkbox"/> AGCO</p>	Telephone Number
Purchase Date: ____/____/____	Part# 12644

Your new Crary Ag Product is covered by a limited warranty. To initiate the warranty, this form **MUST** be completed and returned to CRARY Co. within 10 days of purchase.

# PARTS ORDERING INFORMATION

FOR SERVICE ASSISTANCE OR PARTS, CONTACT YOUR NEAREST AUTHORIZED CRARY DEALER. YOUR NEAREST AUTHORIZED CRARY DEALER WILL NEED TO KNOW THE SERIAL NUMBER OF YOUR AIR REEL TO PROVIDE THE MOST EFFICIENT SERVICE. SEE INFORMATION BELOW FOR HOW TO IDENTIFY AND RECORD THE SERIAL NUMBER FOR YOUR AIR REEL.

## ILLUSTRATION AND TEXT

THIS PARTS CATALOG IS ARRANGED TO ASSIST IN IDENTIFYING AIR REEL PARTS. ALL PARTS ARE ILLUSTRATED IN EITHER ASSEMBLED OR EXPLODED VIEWS. EXCEPT FOR SOME COMMON HARDWARE, ALL PARTS ARE IDENTIFIED WITH AN ITEM NUMBER THAT CORRESPONDS TO THE ITEM COLUMN ON THE CORRESPONDING PARTS INFORMATION TABLE. THE TEXT PAGES LIST THE REFERENCE NUMBER, PART NUMBER, PART DESCRIPTION AND THE QUANTITY REQUIRED.

## REPLACEMENT PARTS

ONLY GENUINE CRARY REPLACEMENT PARTS SHOULD BE USED TO REPAIR THE AIR REEL. CRARY REPLACEMENT PARTS ARE AVAILABLE FROM YOUR CRARY DEALER. TO OBTAIN PROMPT, EFFICIENT SERVICE, REMEMBER TO GIVE THE DEALER THE CORRECT PART DESCRIPTION AND SERIAL NUMBER OF THE AIR REEL.

When ordering parts for your unit provide the following:

1. THE SERIAL NUMBER OF YOUR AIR REEL.
2. THE PART NUMBER OF THE PART.
3. THE PART DESCRIPTION.
4. THE QUANTITY NEEDED.

 <b>WARNING</b>
<p>We urge using only genuine replacement parts, which meet all the latest requirements. Replacement parts manufactured by others could present safety hazards, even though they may fit on this unit.</p>

## SERIAL NUMBER LOCATION

GIVE YOUR AUTHORIZED CRARY DEALER THE SERIAL NUMBER OF YOUR AIR REEL WHEN ORDERING PARTS, REQUESTING SERVICE, OR ANY OTHER INFORMATION. RECORD THE SERIAL NUMBER IN THE SPACE PROVIDED BELOW AND ON THE WARRANTY AND REGISTRATION CARD. THE SERIAL NUMBER IS LOCATED ON THE MANIFOLD.

Serial Number \_\_\_\_\_

□□□□□□□□□□R□□ □□ □R□R□ □□□□R□□□ W□□□ □□R□, □□R□□ □□□□□□□□□□□□.□.□. □□R□□□□□□R □□□□□□□□ □□□□□□□□R□□ □□.□□.
--

Figure 2, Serial number decal



Figure 1, Serial number location

# CONTENTS

## SECTION

## PAGE

---

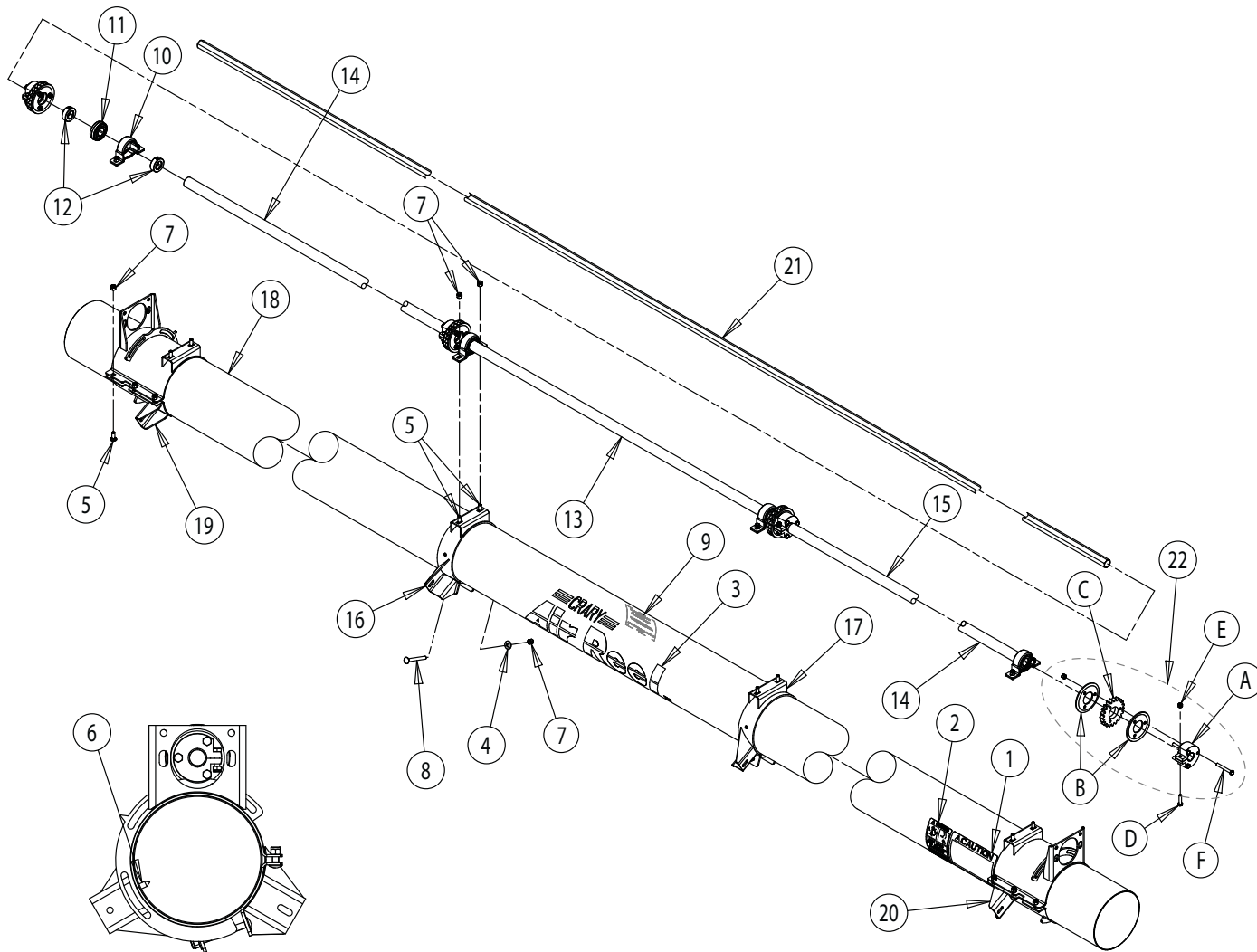
AIR MANIFOLD .....	2
BAT TUBE/REEL TINE .....	18
DECALS .....	52
DRIVELINE/C FLANGE ASSEMBLY .....	44
ECCENTRIC ARM/HYD. MOTOR .....	20
ECCENTRIC MOUNT ASSEMBLY .....	11
ECCENTRIC MOUNT PLATE/ROLLER .....	12
FAN HOSE ASSEMBLY .....	30
GEARBOX/FAN .....	46
GEARBOX MOUNT/DRIVE KIT .....	32
GEARBOX REPLACEMENT PARTS .....	50
IDLER GEAR AND AIR TUBE .....	8
REEL ARM MOUNT .....	28
REEL ARM MOUNT(ELECTRIC OEM FORE & AFT) .....	26
REEL ARM MOUNT(MANUAL OEM FORE & AFT) .....	24
REEL BAT ARM .....	10
REEL BAT ASSEMBLY .....	14
RIGHT HAND DRIVE KIT .....	34
SWITCH/MOUNT PLATE .....	31
<b>OPTIONS .....</b>	<b>53</b>
KIT, AUXILIARY REEL TINE .....	57
KIT, GEARBOX/FAN EXTENSION .....	54
KIT, SPEED SENSOR GEAR .....	56
STATIC PRESSURE GAGE .....	58
<b>PARTS INDEX.....</b>	<b>59</b>



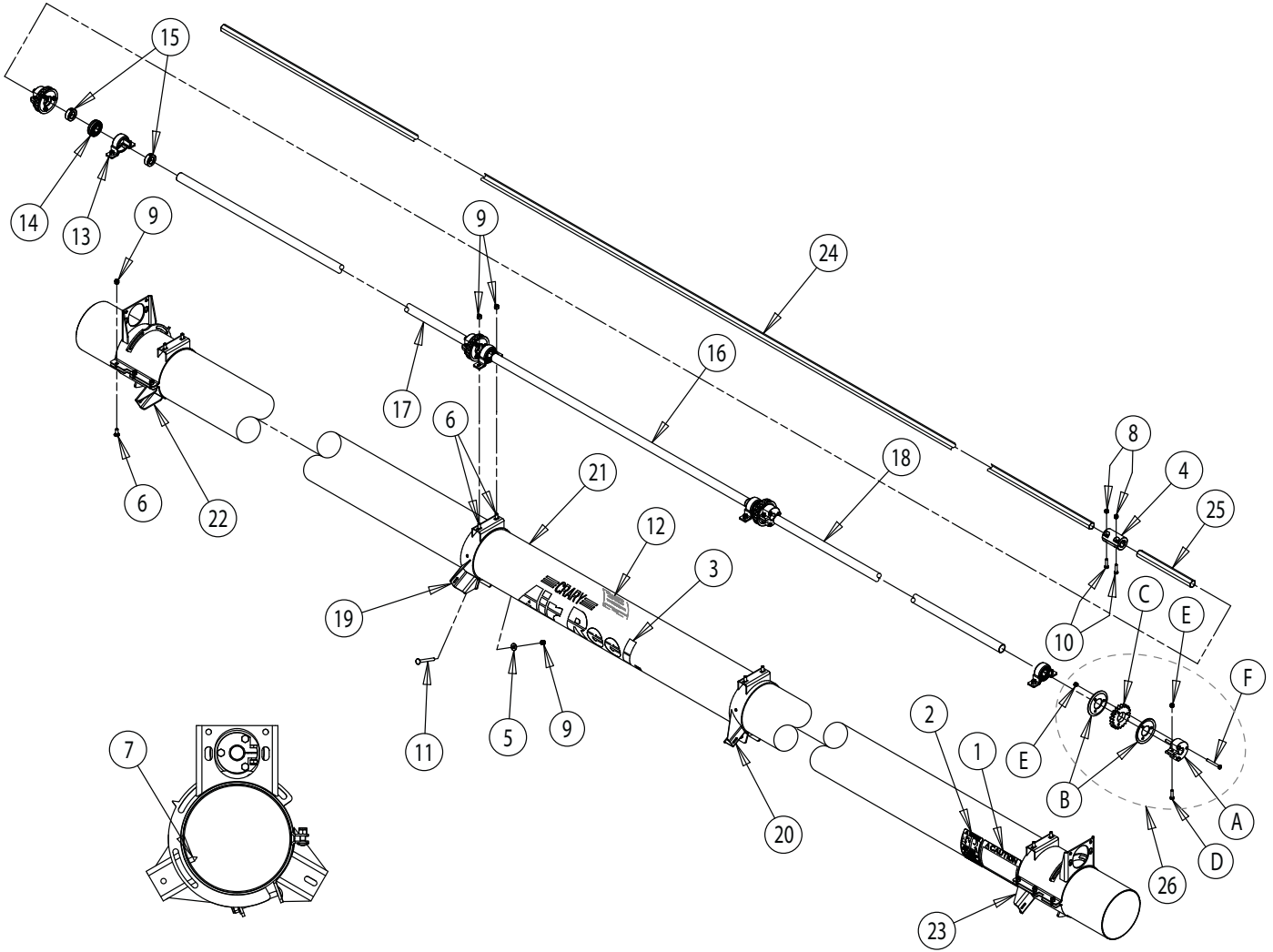
# Parts Catalog Air Reel

---

AGCO Headers  
Challenger, Gleaner, Massey Ferguson

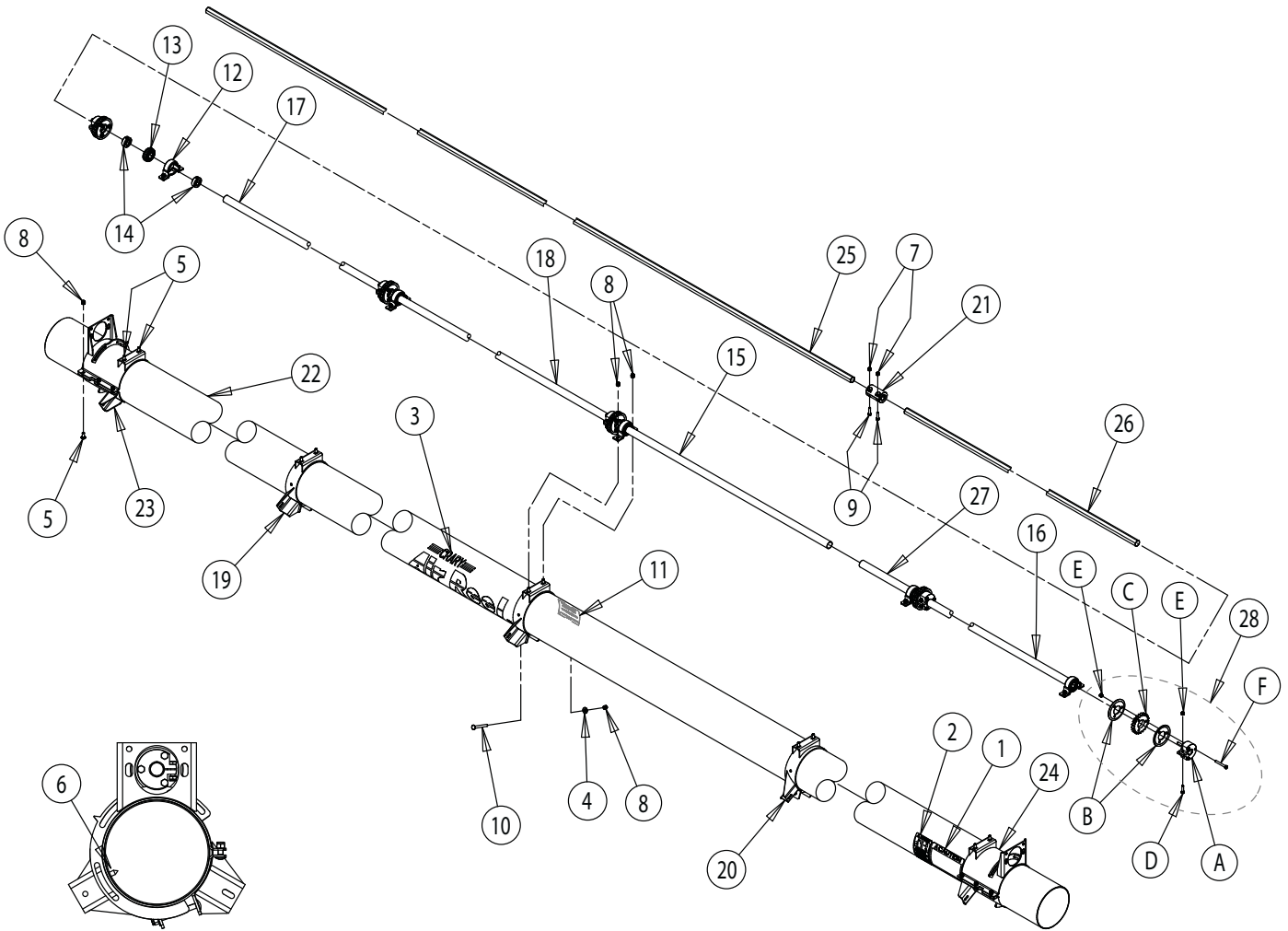


ASSEMBLY, AIR MANIFOLD				
ITEM	PART NUMBER	DESCRIPTION	22396 18 FOOT QTY	22397 20 FOOT QTY
1	11001	DECAL, SAFETY (CAUTION)	1	1
2	11002	DECAL, WARNING	1	1
3	11012	DECAL, CRARY AIR REEL	1	1
4	15031	WASHER, 3/8" FLAT ZP	2	2
5	15057	BOLT, 3/8" X 1" CARRIAGE NC GR5 ZP	14	14
6	15176	SCREW, 11/32" X 7/8" HWH AB THREAD ZP	4	4
7	15388	NUT, 3/8" NE NYLOCK ZP	16	16
8	15737-00	BOLT, 3/8" X 4" CARRIAGE NC GR5 ZP	2	2
9	17224	DECAL, CENTER MANIFOLD DIRECTION	1	1
10	17406	PILLOWBLOCK, STAMPED STEEL	4	4
11	17407	INSERT, BEARING, 1" HEX	4	4
12	17444	COLLAR, 1" HEX, SET	2	2
13	221-84	SHIELD, DRIVE SHAFT (52.75")	1	
	22185	SHIELD, DRIVE SHAFT (59.50")		1
14	22179	SHIELD, DRIVE SHAFT (62.25")	1	1
15	22187	SHIELD, DRIVE SHAFT (64.00")	1	
	22188	SHIELD, DRIVE SHAFT (82.50")		1
16	22364	WELDMENT, IDLER MOUNT CLAMP, RIGHT HAND	1	1
17	22365	WELDMENT, IDLER MOUNT CLAMP, LEFT HAND	1	1
18	24272-12	MANIFOLD, F.A.R. (18 FOOT)	1	
	24273-12	MANIFOLD, F.A.R. (20 FOOT)		1
19	24910-12	WELDMENT, END CLAMP, RIGHT HAND (W/MOTOR MNT)	1	1
20	24975-12	WELDMENT, END CLAMP, LEFT HAND (W/MOTOR MNT)	1	1
21	25565-00	SHAFT, REEL DRIVE (202.67")	1	
	25564-00	SHAFT, REEL DRIVE (226.67")		1
22	25760-00	ASSEMBLY, HUB/PINION GEAR (INCLUDES ITEMS A-F)	4	4
A	13768-00	HUB, PINION GEAR	1	1
B	25658-12	RING, PINION RETAINER	2	2
C	17703	GEAR, IDLER, 1.575" BORE	1	1
D	15436	BOLT, 5/16" X 1-1/4" HHCS NC GR5 ZP	1	1
E	15356	NUT, 5/16" NE NYLOCK ZP	4	4
F	15154	BOLT, 5/16" X 2-1/2" HHCS GR5 ZP	3	3
	16722	STRIPING, AIR REEL (NOT SHOWN)	9 ft.	9 ft.

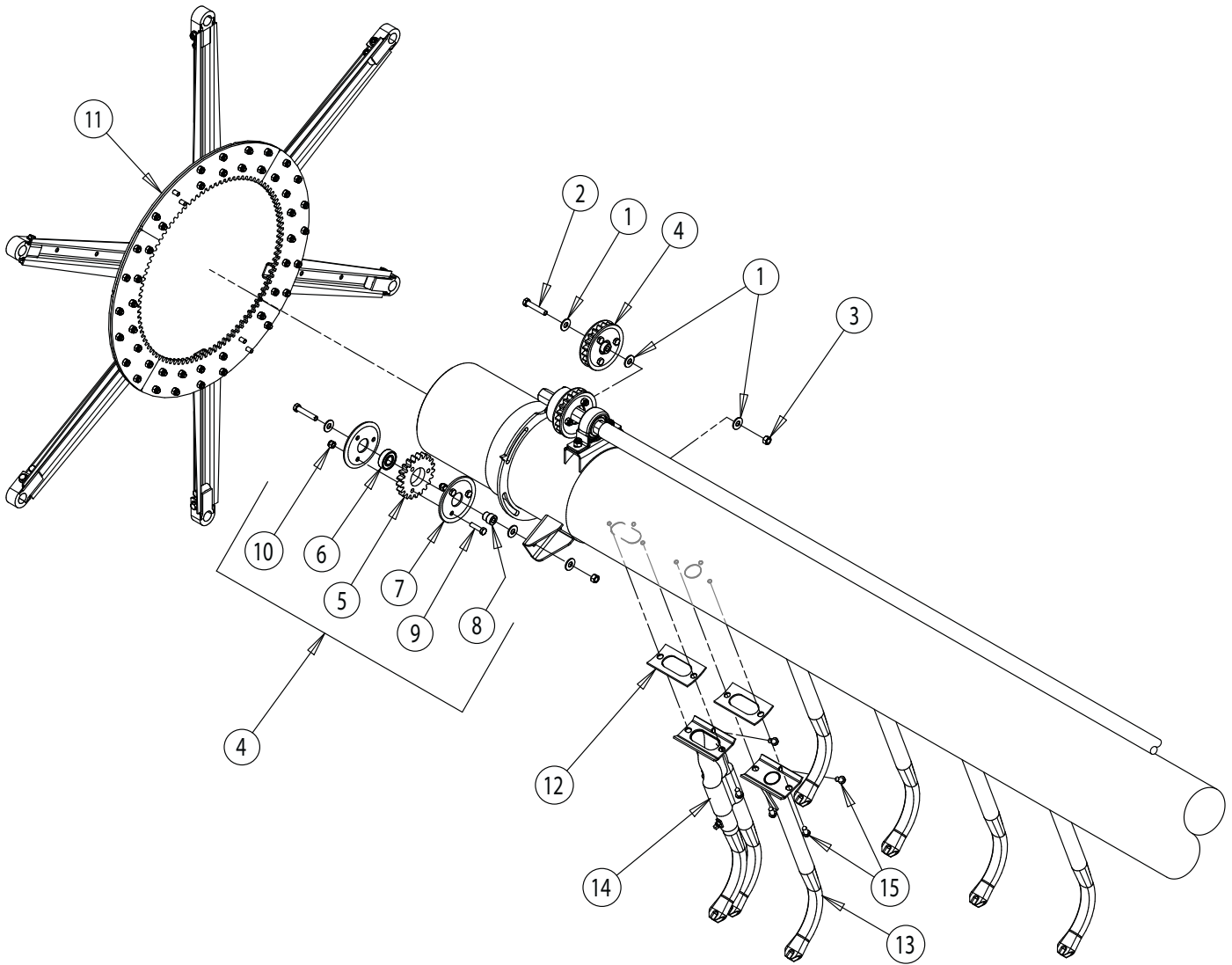




ASSEMBLY, AIR MANIFOLD					
ITEM	PART NUMBER	DESCRIPTION	22398 22 FOOT QTY	22400 24 FOOT QTY	22401 25 FOOT QTY
1	11001	DECAL, SAFETY (CAUTION)	1	1	1
2	11002	DECAL, WARNING	1	1	1
3	11012	DECAL, CRARY AIR REEL	1	1	1
4	14022-00	COUPLER, 1" HEX SHAFT	1	1	1
5	15031	WASHER, 3/8" FLAT ZP	2	2	2
6	15057	BOLT, 3/8" X 1" CARRIAGE NC GR5 ZP	14	14	14
7	15176	SCREW, 11/32" X 7/8" HWH AB THREAD	4	4	4
8	15356	NUT, 5/16" NE NYLOCK ZP	2	2	2
9	15388	NUT, 3/8" NE NYLOCK ZP	16	16	16
10	15436	BOLT, 5/16" X 1-1/4" HHCS NC GR5 ZP	2	2	2
11	15737-00	BOLT, 3/8" X 4" CARRIAGE NC GR5 ZP	2	2	2
12	17224	DECAL, CTR MANIFOLD DIRECTION	1	1	1
13	17406	PILLOWBLOCK, STAMPED STEEL	4	4	4
14	17407	INSERT, BEARING, 1" HEX	4	4	4
15	17444	COLLAR, 1" HEX, SET	2	2	2
16	22184	SHIELD, DRIVE SHAFT (52.75")	1		
	22181	SHIELD, DRIVE SHAFT (79.38")		1	
	22191	SHIELD, DRIVE SHAFT (89.50")			1
17	22189	SHIELD, DRIVE SHAFT (92.00")	1	1	1
18	22193	SHIELD, DRIVE SHAFT (74.12")	1		
	22183	SHIELD, DRIVE SHAFT (51.00")		1	
	25578-00	SHIELD, DRIVE SHAFT (28.00")		1	
	25579-00	SHIELD, DRIVE SHAFT (38.75")			2
19	22364	WELDMENT, IDLER MOUNT CLAMP, RIGHT HAND	1	1	1
20	22365	WELDMENT, IDLER MOUNT CLAMP, LEFT HAND	1	1	1
21	24274-12	MANIFOLD, F.A.R. (22 FOOT)	1		
	24276-12	MANIFOLD, F.A.R. (24 FOOT)		1	
	24277-12	MANIFOLD, F.A.R. (25 FOOT)			1
22	24910-12	WELDMENT, END CLAMP, RIGHT HAND (W/MOTOR MOUNT)	1	1	1
23	24975-12	WELDMENT, END CLAMP, LEFT HAND (W/MOTOR MOUNT)	1	1	1
24	25563-00	SHAFT, REEL DRIVE (239.54")	1	1	1
25	25575-00	SHAFT, REEL DRIVE (11.13")	1		
	25573-00	SHAFT, REEL DRIVE (36.13")		1	
	25572-00	SHAFT, REEL DRIVE (46.50")			1
26	25760-00	ASSEMBLY, HUB/PINION GEAR (INCLUDES ITEMS A-F)	4	4	4
A	13768-00	HUB, PINION GEAR	1	1	1
B	25658-12	RING, PINION RETAINER	2	2	2
C	17703	GEAR, IDLER, 1.575" BORE	1	1	1
D	15436	BOLT, 5/16" X 1-1/4" HHCS NC GR5 ZP	1	1	1
E	15356	NUT, 5/16" NE NYLOCK ZP	4	4	4
F	15154	BOLT, 5/16" X 2-1/2" HHCS GR5 ZP	3	3	3
	16722	STRIPING, AIR REEL (NOT SHOWN)	10.25 ft.	12.5 ft.	13 ft.

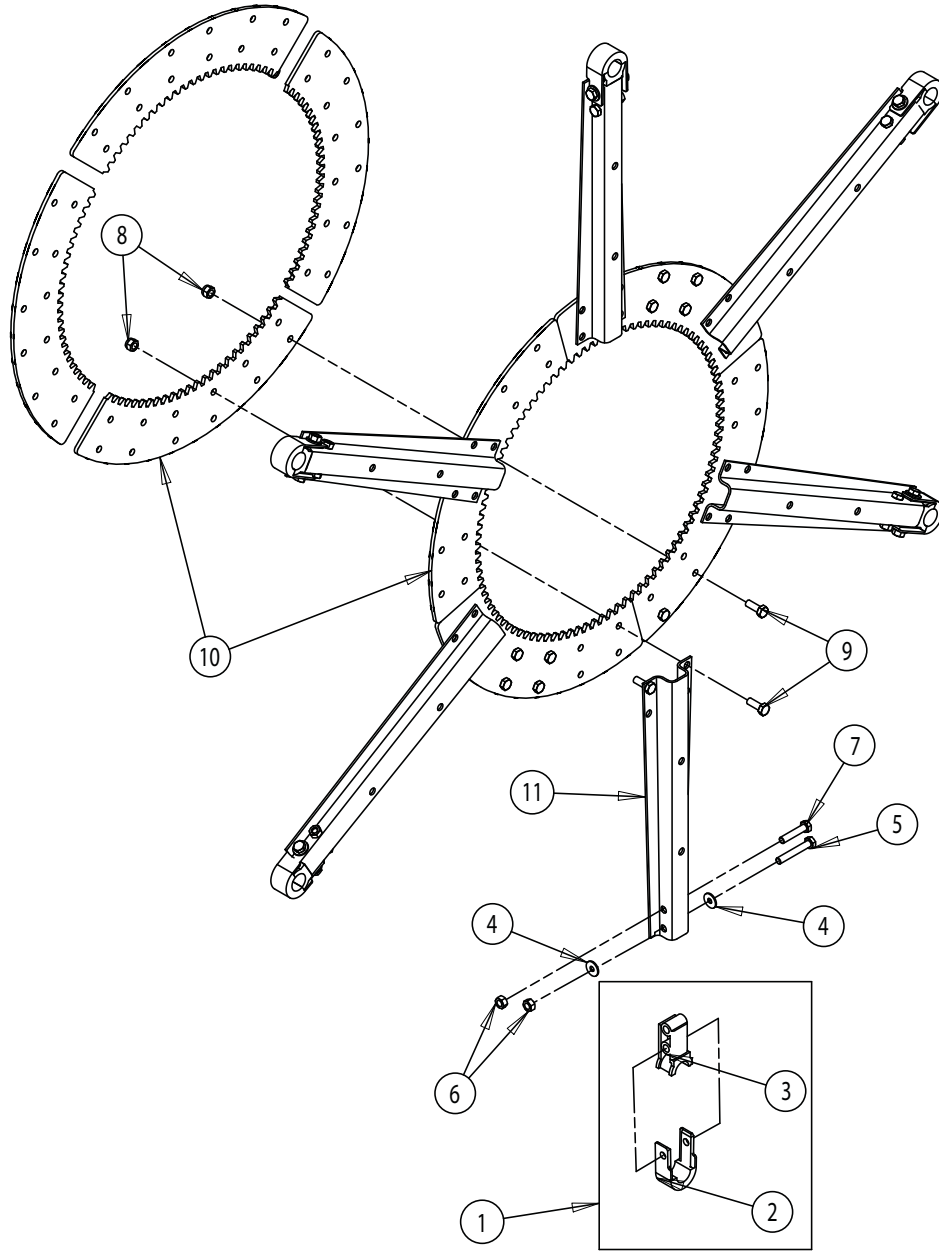


ASSEMBLY, AIR MANIFOLD				
ITEM	PART NUMBER	DESCRIPTION	27134-00 30 FOOT QTY	29718-00 35 FOOT QTY
1	11001	DECAL, SAFETY (CAUTION)	1	1
2	11002	DECAL, WARNING	1	1
3	11012	DECAL, CRARY AIR REEL	1	1
4	15031	WASHER, 3/8" FLAT ZP	3	3
5	15057	BOLT, 3/8" X 1" CARRIAGE NC GR5 ZP	16	16
6	15176	SCREW, 11/32" X 7/8" HWH AB THREAD ZP	5	5
7	15356	NUT, 5/16" NE NYLOCK ZP	2	2
8	15388	NUT, 3/8" NE NYLOCK ZP	19	19
9	15436	BOLT, 5/16" X 1-1/4" HHCS NC GR5 ZP	2	2
10	15737-00	BOLT, 3/8" X 4" CARRIAGE FULL THREAD GR5	3	3
11	17224	DECAL, CENTER MANIFOLD DIRECTION	1	1
12	17406	PILLOWBLOCK, STAMPED STEEL	5	5
13	17407	INSERT, BEARING, 1" HEX	5	5
14	17444	COLLAR, 1" HEX, SET	2	2
15	27139-00	SHIELD, DRIVE SHAFT (18.25")	1	
	25577-00	SHIELD, DRIVE SHAFT (11.69")		1
16	22181	SHIELD, DRIVE SHAFT (79.38")	1	
	27176-00	SHIELD, DRIVE SHAFT (96.12")		1
17	22181	SHIELD, DRIVE SHAFT (79.38")	1	
	27176-00	SHIELD, DRIVE SHAFT (96.12")		1
18	22181	SHIELD, DRIVE SHAFT (79.38")	1	
	27176-00	SHIELD, DRIVE SHAFT (96.12")		1
19	22364	WELDMENT, IDLER MOUNT CLAMP, RIGHT HAND	2	2
20	22365	WELDMENT, IDLER MOUNT CLAMP, LEFT HAND	1	1
21	14022-00	COUPLER, 1" HEX SHAFT	1	1
22	27130-12	MANIFOLD, F.A.R. (30 FOOT-L)	1	
	29717-12	MANIFOLD, F.A.R. (35 FT.-S)		1
23	24910-12	WELDMENT, END CLAMP, RIGHT HAND (W/MOTOR MNT)	1	1
24	24975-12	WELDMENT, END CLAMP, LEFT HAND (W/MOTOR MNT)	1	1
25	25563-00	SHAFT, REEL DRIVE (239.54")	1	
	26990-00	SHAFT, REEL DRIVE (221.28")		1
26	27138-00	SHAFT, REEL DRIVE (112.06")	1	
	25567-00	SHAFT, REEL DRIVE (187.35")		1
27	22185	SHIELD, DRIVE SHAFT (59.50")	1	
	22181	SHIELD, DRIVE SHAFT (79.38")		1
28	25760-00	ASSEMBLY, HUB/PINION GEAR (INCLUDES ITEMS A-F)	5	5
A	13768-00	HUB, PINION GEAR	1	1
B	25658-12	RING, PINION RETAINER	2	2
C	17703	GEAR, IDLER, 1.575" BORE	1	1
D	15436	BOLT, 5/16" X 1-1/4" HHCS NC GR5 ZP	1	1
E	15356	NUT, 5/16" NE NYLOCK ZP	4	4
F	15154	BOLT, 5/16" X 2-1/2" HHCS GR5 ZP	3	3
	16722	STRIPING, AIR REEL (NOT SHOWN)	19 ft.	24 ft.



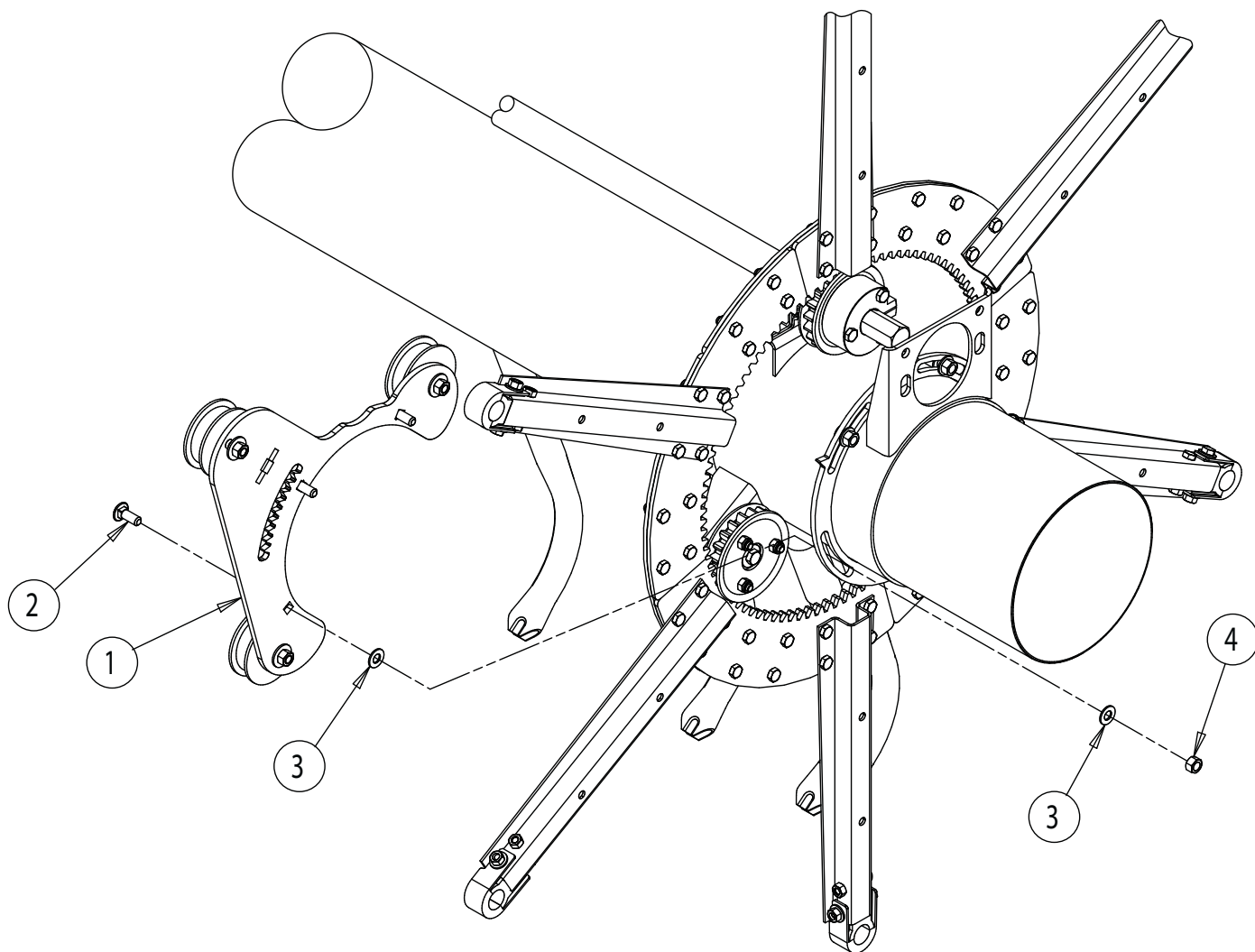
ASSEMBLY, IDLER GEAR AND AIR TUBE						
ITEM	PART NUMBER	DESCRIPTION	18 FT. QTY	20 FT. QTY	22 FT. QTY	24 FT. QTY
1	15031	WASHER, 3/8" FLAT ZP	24	24	24	24
2	15008	BOLT, 3/8" X 2" HHCS GR5 ZP	8	8	8	8
3	15047	NUT, 3/8" CENTERLOCK ZP	14	14	14	14
4	22164	ASSEMBLY, IDLER GEAR (INCLUDES ITEMS 5-10)	8	8	8	8
5	17703	GEAR, IDLER, 1.575" BORE	1	1	1	1
6	17669	BEARING, RADIAL 17MM	1	1	1	1
7	53626-12	RING, PINION RETAINER	2	2	2	2
8	17670	ADAPTOR, SHOULDER BORE	1	1	1	1
9	15436	BOLT, 5/16" X 1-1/4" GR5 HHCS NC ZP	3	3	3	3
10	15356	NUT, 5/16" NE NYLOCK ZP	3	3	3	3
11	22346	ASSEMBLY, REEL BAT ARM, 6 BAT	4	4	4	4
12	17313	SEAL, FOAM, AIR TUBE	20	23	25	28
13	22153	WELDMENT, AIR TUBE	18	21	23	26
14	22405	ASSEMBLY, DOUBLE AIR TUBE WELDMENT	2	2	2	2
15	15176	SCREW, 11/32" X 7/8" HWH AB THREAD ZP	60	69	75	84

ASSEMBLY, IDLER GEAR AND AIR TUBE					
ITEM	PART NUMBER	DESCRIPTION	25 FT. QTY	30 FT. QTY	35 FT. QTY
1	15031	WASHER, 3/8" FLAT ZP	24	30	30
2	15008	BOLT, 3/8" X 2" HHCS GR5 ZP	8	10	10
3	15047	NUT, 3/8" CENTERLOCK ZP	14	16	16
4	22164	ASSEMBLY, IDLER GEAR (INCLUDES ITEMS 5-10)	8	10	10
5	17703	GEAR, IDLER, 1.575" BORE	1	1	1
6	17669	BEARING, RADIAL 17MM	1	1	1
7	53626-12	RING, PINION RETAINER	2	2	2
8	17670	ADAPTOR, SHOULDER BORE	1	1	1
9	15436	BOLT, 5/16" X 1-1/4" GR5 HHCS NC ZP	3	3	3
10	15356	NUT, 5/16" NE NYLOCK ZP	3	3	3
11	22346	ASSEMBLY, REEL BAT ARM, 6 BAT	4	5	5
12	17313	SEAL, FOAM, AIR TUBE	29	36	42
13	22153	WELDMENT, AIR TUBE	27	34	40
14	22405	ASSEMBLY, DOUBLE AIR TUBE WELDMENT	2	2	2
15	15176	SCREW, 11/32" X 7/8" HWH AB THREAD ZP	87	108	126



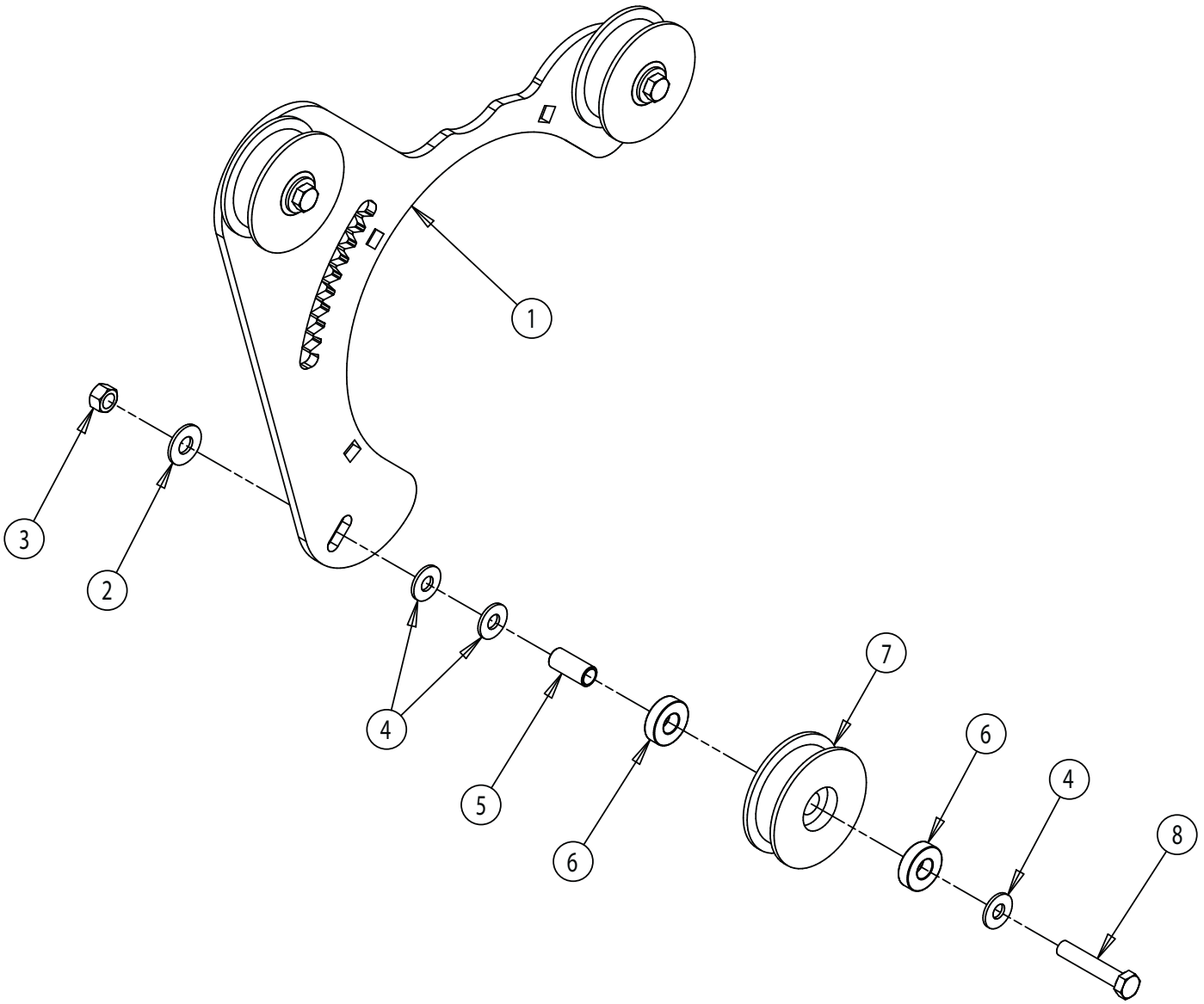
REEL BAT ARM ASSEMBLY (22346)

ITEM	PART NUMBER	DESCRIPTION	QTY
1	21509	BEARING W/CAP (INCLUDES ITEMS 2-4)	6
2	12528	BEARING CAP, PLASTIC	6
3	17404	BEARING BASE, PLASTIC	6
4	15030	WASHER, 1/4" FLAT ZP	12
5	15140	BOLT, 5/16" X 2" GR5 HCS ZP	6
6	15178	NUT, 5/16" CENTERLOCK NC ZP	12
7	15282	BOLT, 5/16 X 1-1/2 GR5 HEX CPS ZP	6
8	15356	NUT, 5/16" NE NYLOCK ZP	44
9	15396	BOLT, 5/16 X 7/8 NC HHCS GR5 ZP	44
10	17634	SECTION, INTERNAL GEAR	8
11	21550	REEL ECCENTRIC ARM	6



## ASSEMBLY, BAT &amp; ECCENTRIC MOUNT

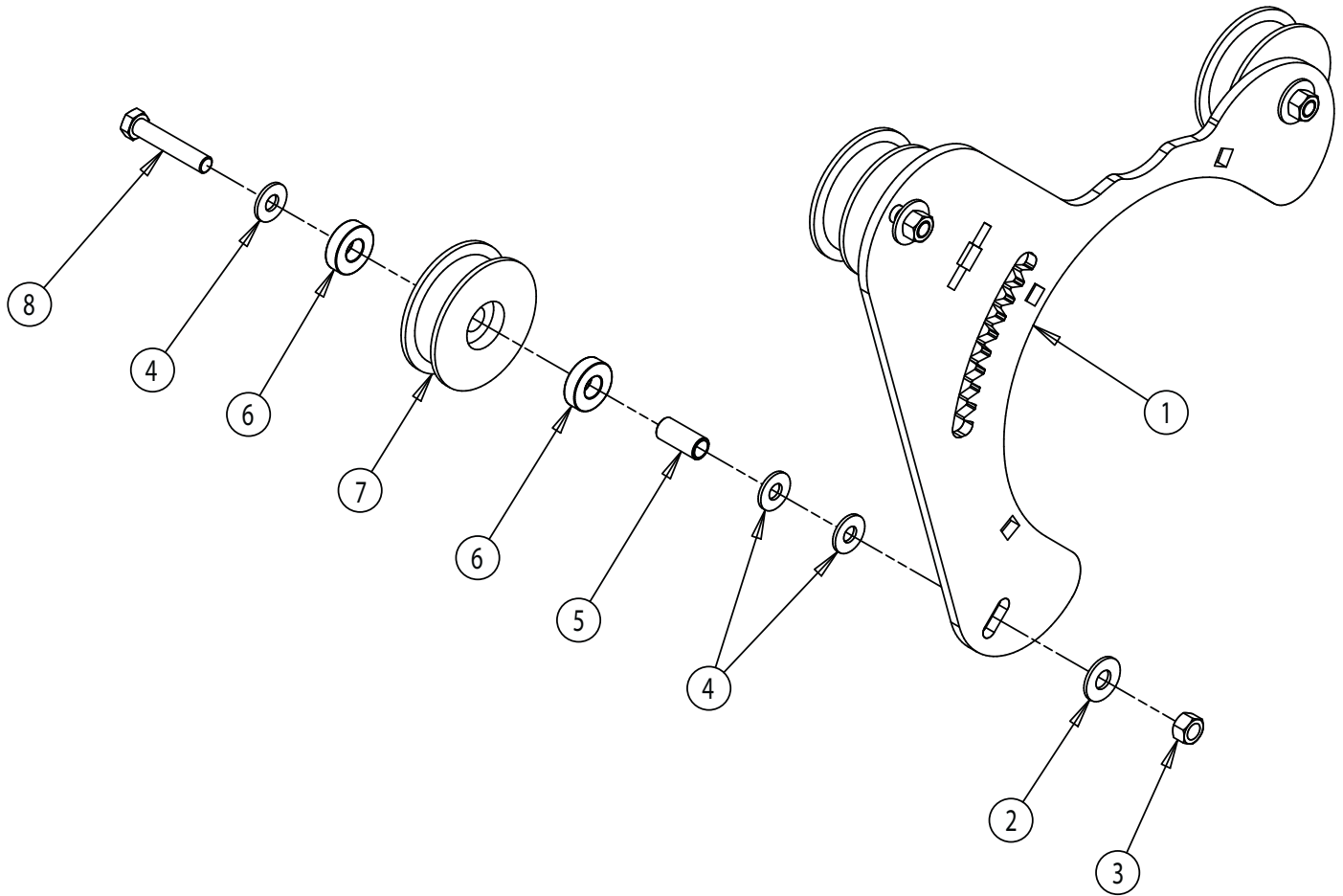
ITEM	PART NUMBER	DESCRIPTION	QTY
1	24919	ASSEMBLY, ECCENTRIC MOUNT PLATE/ROLLER, RIGHT HAND (SEE PAGE 13)	1
	24920	ASSEMBLY, ECCENTRIC MOUNT PLATE/ROLLER, LEFT HAND (NOT SHOWN) (SEE PAGE 12)	1
2	15057	BOLT, 3/8" X 1" CARRIAGE NC GR5 ZP	6
3	15260	WASHER, 3/8" SAE FLAT ZP	12
4	15047	NUT, 3/8" CENTERLOCK ZP	6



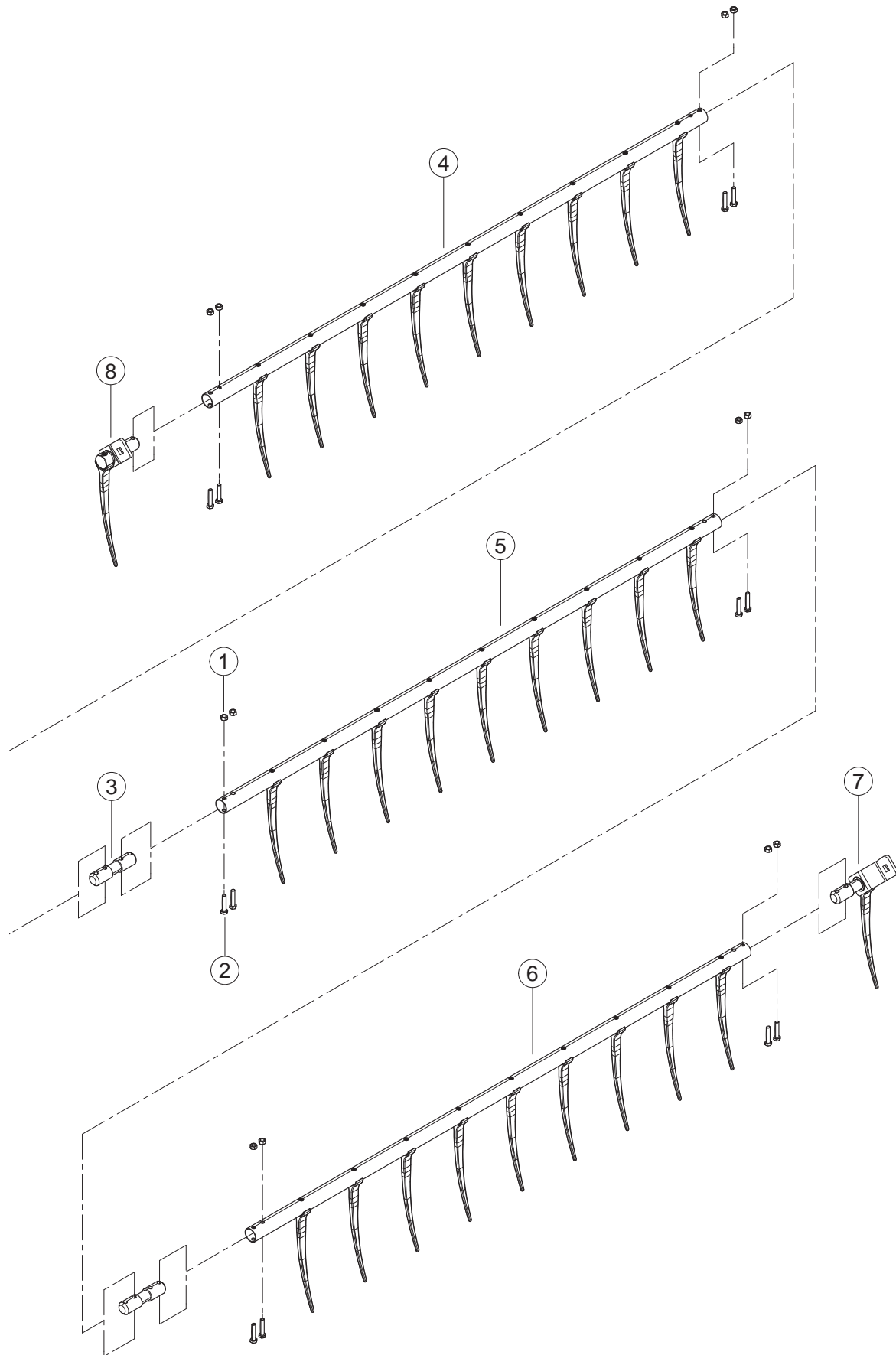
**ASSEMBLY, ECCENTRIC MOUNT PLATE/ROLLER (LEFT HAND) (24920)**

ITEM	PART NUMBER	DESCRIPTION	QTY
1	24905-12	PLATE, ECCENTRIC ROLLER MOUNT	1
2	15031	WASHER, 3/8" FLAT ZP	3
3	15047	NUT, 3/8" CENTERLOCK ZP	3
4	15250	WASHER, 5/16" FLAT ZP	9
5	21588	BUSHING, ROLLER	3
6	17629	BEARING, RADIAL	6
7	21797	ROLLER, PLASTIC, 3" SM, VIRGIN UHMW	3
8	0103-0711-00	BOLT, 3/8" NC X 2-1/4 GR5 HEX ZP	3



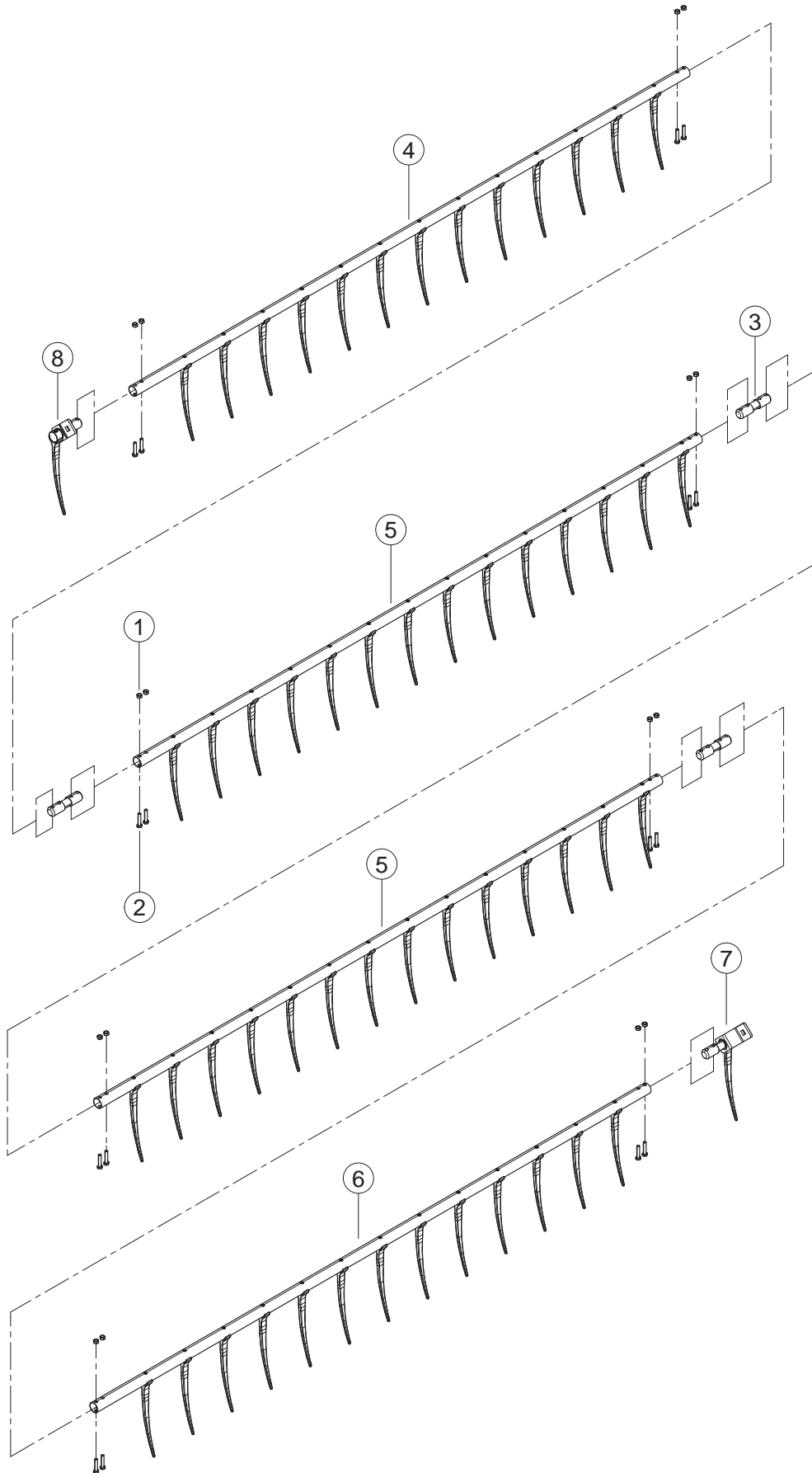


ASSEMBLY, ECCENTRIC MOUNT PLATE/ROLLER (RIGHT HAND) (24919)			
ITEM	PART NUMBER	DESCRIPTION	QTY
1	24905-12	PLATE, ECCENTRIC ROLLER MOUNT	1
2	15031	WASHER, 3/8" FLAT ZP	3
3	15047	NUT, 3/8" CENTERLOCK ZP	3
4	15250	WASHER, 5/16" FLAT ZP	9
5	21588	BUSHING, ROLLER	3
6	17629	BEARING, RADIAL	6
7	21797	ROLLER, PLASTIC, 3/8" SM, VIRGIN UHMW	3
8	0103-0711-00	BOLT, 3/8" NC X 2-1/4 GR5 HEX ZP	3



KIT, REEL BAT (18'-22')								
ITEM	PART NUMBER	DESCRIPTION	18 FT.		20 FT.		22 FT.	
			RH 53462 QTY	LH 53463 QTY	RH 53464 QTY	LH 53465 QTY	RH 53466 QTY	LH 53467 QTY
1	15178	NUT, 5/16 CENTERLOCK	12	12	12	12	12	12
2	15282	BOLT, 5/16 X 1-1/2 HEX	12	12	12	12	12	12
3	27175-00	SHAFT, BAT SPLICE	2	2	2	2	2	2
4	53432-00	ASSY', RH BAT TUBE/REEL TINE (68")	1					
	53433-00	ASSY', LH BAT TUBE/REEL TINE (68")		1				
	53440-00	ASSY', RH BAT TUBE/REEL TINE (86")			1		1	
	53441-00	ASSY', LH BAT TUBE/REEL TINE (86")				1		1
5	53426-00	ASSY', RH BAT TUBE/REEL TINE (60")	1				1	
	53427-00	ASSY', LH BAT TUBE/REEL TINE (60")		1				1
	53428-00	ASSY', RH BAT TUBE/REEL TINE (65")			1			
	53429-00	ASSY', LH BAT TUBE/REEL TINE (65")				1		
6	53430-00	ASSY', RH BAT TUBE/REEL TINE (66")	1		1			
	53431-00	ASSY', LH BAT TUBE/REEL TINE (66")		1		1		
	53446-00	ASSY', RH BAT TUBE/REEL TINE (96")					1	
	53447-00	ASSY', LH BAT TUBE/REEL TINE (96")						1
7	53586-00	ASSY', RH END SHAFT PIVOT	1	1	1	1	1	1
8	53587-00	ASSY', LH END SHAFT PIVOT	1	1	1	1	1	1

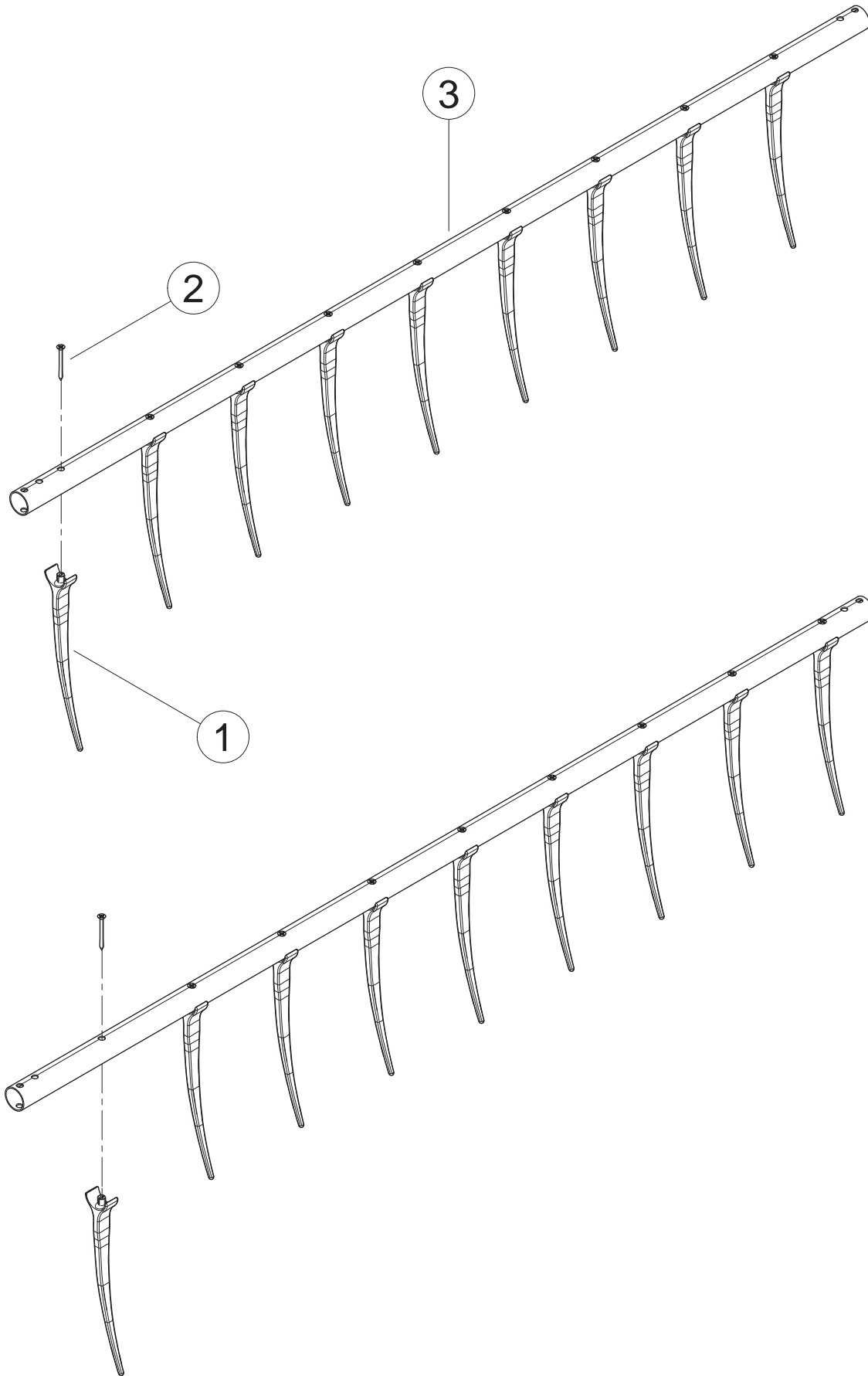
KIT, REEL BAT (24'-25')							
ITEM	PART NUMBER	DESCRIPTION	24 FT.		25 FT.		
			RH 53470 QTY	LH 53471 QTY	RH 53472 QTY	LH 53473 QTY	
1	15178	NUT, 5/16 CENTERLOCK	12	12	12	12	
2	15282	BOLT, 5/16 X 1-1/2 HEX	12	12	12	12	
3	27175-00	SHAFT, BAT SPLICE	2	2	2	2	
4	53440-00	ASSY', RH BAT TUBE/REEL TINE (86")	1		1		
	53441-00	ASSY', LH BAT TUBE/REEL TINE (86")		1		1	
5	53438-00	ASSY', RH BAT TUBE/REEL TINE (85")	1				
	53439-00	ASSY', LH BAT TUBE/REEL TINE (85")		1			
	53444-00	ASSY', RH BAT TUBE/REEL TINE (95")			1		
	53445-00	ASSY', LH BAT TUBE/REEL TINE (95")				1	
6	53446-00	ASSY', RH BAT TUBE/REEL TINE (96")	1		1		
	53447-00	ASSY', LH BAT TUBE/REEL TINE (96")		1		1	
7	53586-00	ASSY', RH END SHAFT PIVOT	1	1	1	1	
8	53587-00	ASSY', LH END SHAFT PIVOT	1	1	1	1	



KIT, REEL BAT (30'-35')						
ITEM	PART NUMBER	DESCRIPTION	30 FT.		35 FT.	
			RH 53593 QTY	LH 53594 QTY	RH 53595 QTY	LH 53596 QTY
1	15178	NUT, 5/16 CENTERLOCK	16	16	16	16
2	15282	BOLT, 5/16 X 1-1/2 HEX	16	16	16	16
3	27175-00	SHAFT, BAT SPLICE	3	3	3	3
4	53438-00	ASSY', RH BAT TUBE/REEL TINE (85")	1			
	53439-00	ASSY', LH BAT TUBE/REEL TINE (85")		1		
	53448-00	ASSY', RH BAT TUBE/REEL TINE (100")			1	
	53449-00	ASSY', LH BAT TUBE/REEL TINE (100")				1
5	53440-00	ASSY', RH BAT TUBE/REEL TINE (86")	2			
	53441-00	ASSY', LH BAT TUBE/REEL TINE (86")		2		
	53448-00	ASSY', RH BAT TUBE/REEL TINE (100")			2	
	53449-00	ASSY', LH BAT TUBE/REEL TINE (100")				2
6	53438-00	ASSY', RH BAT TUBE/REEL TINE (85")	1			
	53439-00	ASSY', LH BAT TUBE/REEL TINE (85")		1		
	53448-00	ASSY', RH BAT TUBE/REEL TINE (100")			1	
	53449-00	ASSY', LH BAT TUBE/REEL TINE (100")				1
7	53586-00	ASSY', RH END SHAFT PIVOT	1	1	1	1
8	53587-00	ASSY', LH END SHAFT PIVOT	1	1	1	1

LEFT  
HAND

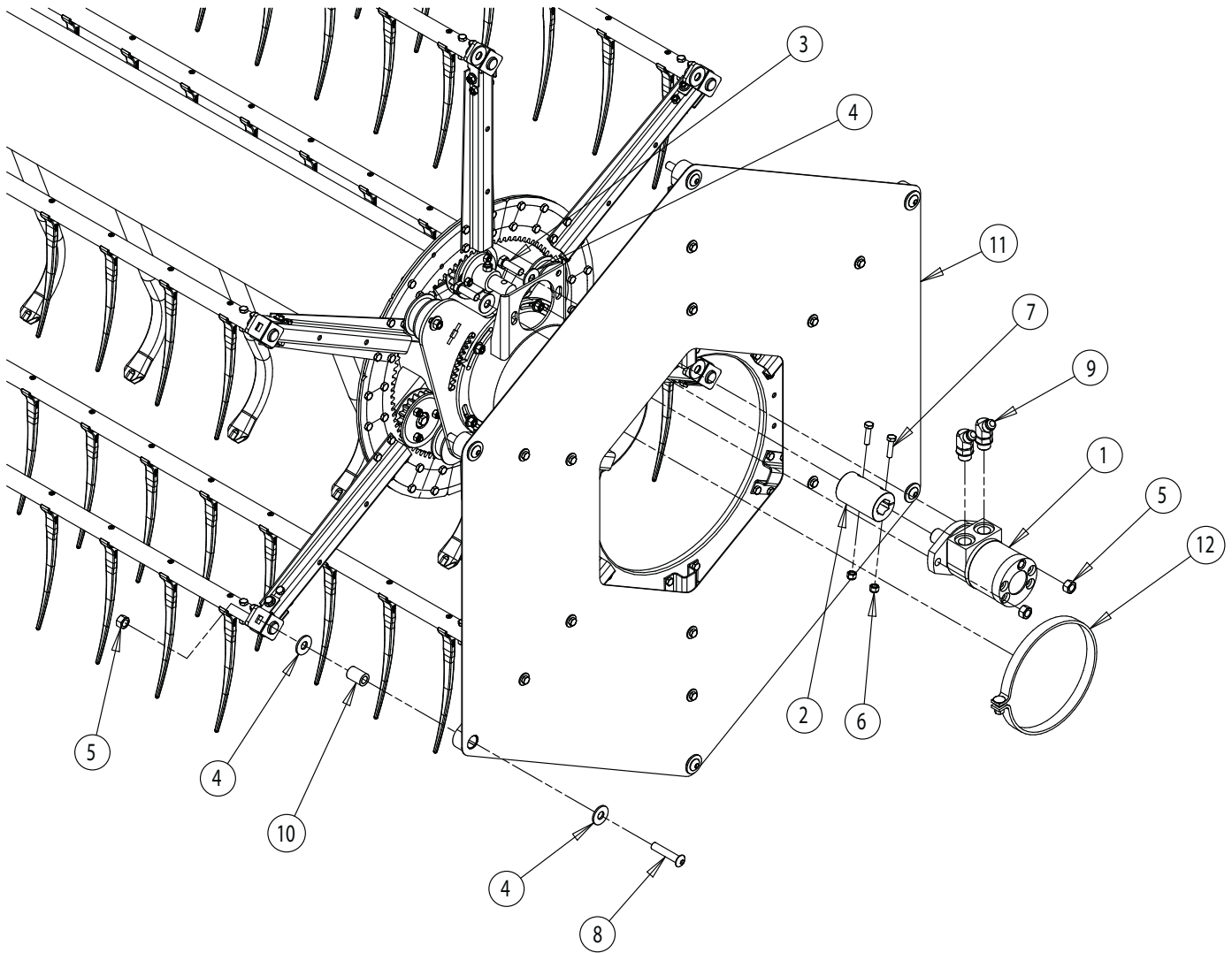
RIGHT  
HAND



ASSEMBLY, BAT TUBE/REEL TINE								
ITEM	PART NUMBER	DESCRIPTION	53426-00 60" RH QTY	53427-00 60" LH QTY	53428-00 65" RH QTY	53429-00 65" LH QTY	53430-00 66" RH QTY	53431-00 66" LH QTY
1	12529	TINE, PLASTIC REEL	9	9	10	10	10	10
2	15597	SCREW, 12-14 X 2" FLAT HEAD THREAD FORM	9	9	10	10	10	10
3	53410-12	TUBE, REEL BAT (60")	1	1				
	53411-12	TUBE, REEL BAT (65")			1	1		
	53412-12	TUBE, REEL BAT (66")					1	1

ASSEMBLY, BAT TUBE/REEL TINE								
ITEM	PART NUMBER	DESCRIPTION	53432-00 68" RH QTY	53433-00 68" LH QTY	53438-00 85" RH QTY	53439-00 85" LH QTY	53440-00 86" RH QTY	53441-00 86" LH QTY
1	12529	TINE, PLASTIC REEL	11	11	13	13	14	14
2	15597	SCREW, 12-14 X 2" FLAT HEAD THREAD FORM	11	11	13	13	14	14
3	53413-12	TUBE, REEL BAT (68")	1	1				
	53416-12	TUBE, REEL BAT (85")			1	1		
	53417-12	TUBE, REEL BAT (86")					1	1

ASSEMBLY, BAT TUBE/REEL TINE								
ITEM	PART NUMBER	DESCRIPTION	53444-00 95" RH QTY	53445-00 95" LH QTY	53446-00 96" RH QTY	53447-00 96" LH QTY	53448-00 100" RH QTY	53449-00 100" LH QTY
1	12529	TINE, PLASTIC REEL	15	15	15	15	16	16
2	15597	SCREW, 12-14 X 2" FLAT HEAD THREAD FORM	15	15	15	15	16	16
3	53419-12	TUBE, REEL BAT (95")	1	1				
	53420-12	TUBE, REEL BAT (96")			1	1		
	53421-12	TUBE, REEL BAT (100")					1	1





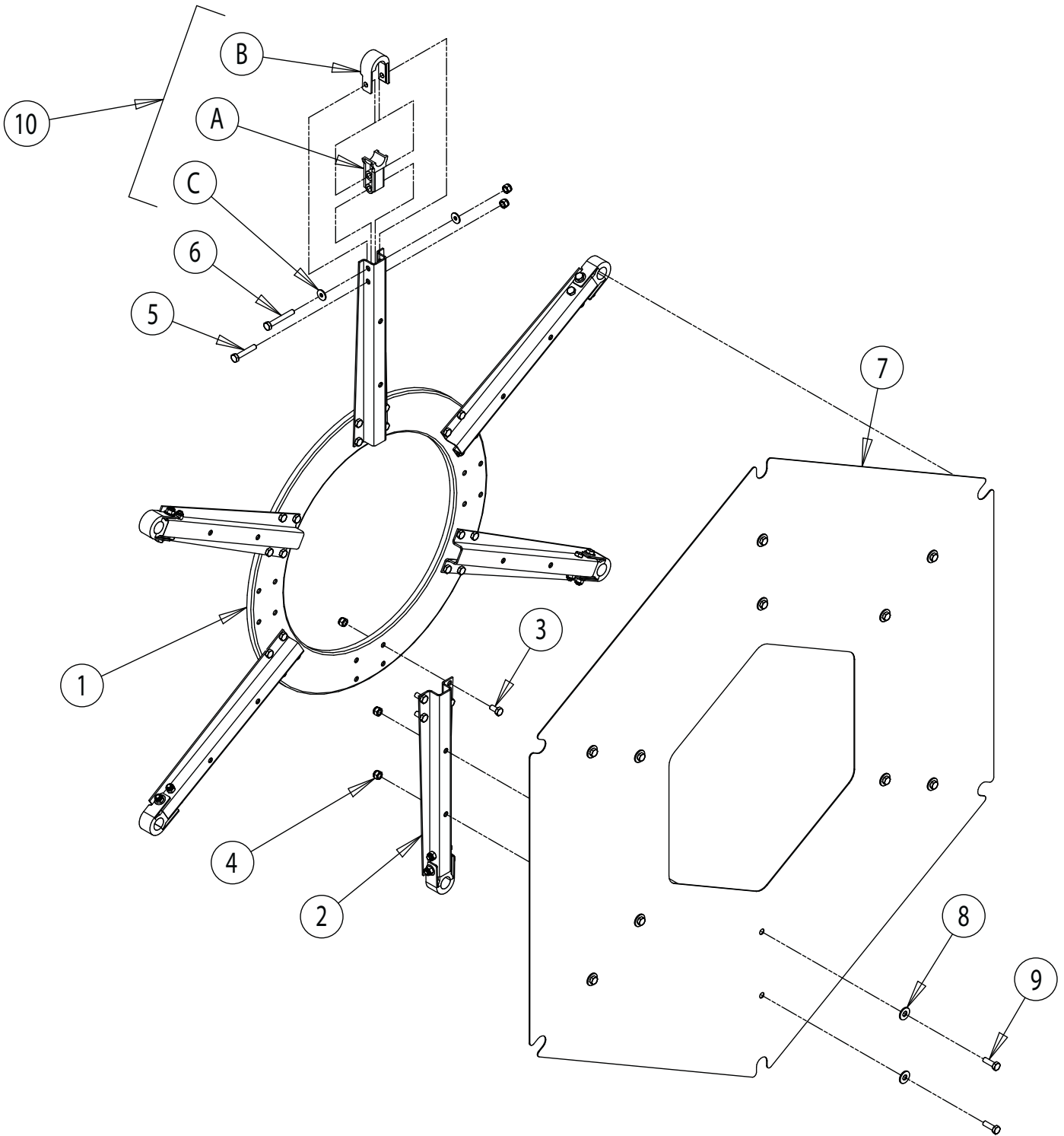
ASSEMBLY, ECCENTRIC ARM & HYDRAULIC MOTOR			
ITEM	PART NUMBER	DESCRIPTION	QTY
1	12491	MOTOR, HYDRAULIC GEAR SAE 2 BOLT 8.0/8.9 CID (INCLUDES ITEMS BELOW)	1
	12050	KIT, MOTOR SEAL (ROSS/PARKER) (NOT SHOWN)	1
	16516	KIT, SEAL (CHAR-LYNN) (NOT SHOWN)	1
	36636-00	KIT, SEAL (HYD. MOTOR) (NOT SHOWN)	1
2	14022-00	COUPLER, 1" HEX SHAFT	1
3	15014	BOLT, 1/2" X 1-1/2" HHCS GR5 ZP	2
4	15034	WASHER, 1/2" FLAT ZP	26
5	15049	NUT, 1/2" CENTERLOCK GRB ZP	14
6	15356	NUT, 5/16" NE NYLOCK ZP	2
7	15436	BOLT, 5/16" X 1-1/4" HHCS NC GR5 ZP	2
8	15562	BOLT, 1/2" X 2-1/2" HEX SOCKET B-HD CPS	12
9	16067	ADAPTER, -10MORING/-8MJIC 45 DEGREE	2
10	21520	BUSHING, PIVOT STRAP	12
11	22347	ASSEMBLY, ECCENTRIC ARM -6 BAT REEL (SEE PAGES 24-25)	2
12	22489	ASSEMBLY, BRACE CLAMP	2

## SEAL KIT FOR CHARLYNN MOTORS

SEAL KIT FOR CHARLYNN MOTORS (16516)			
ITEM	PART NUMBER	DESCRIPTION	QTY
1	16516	SEAL KIT FOR CHARLYNN MOTORS	1
		DUST SEAL	1
		BACK UP RING	1
		PRESSURE SEAL (002, 003, 008, 009 MOTORS)	1
		SEAL, FLANGE	1
		SEAL, HOUSING PLUG (008 MOTORS)	1
		SEAL, HOUSING PLUG (009 MOTORS)	1
		SEAL	3
		WASHER	7
		LOCTITE CAPSULE	1
		SEAL (O-RING PORT HOUSING)	2
		O-RING (DRAIN PORT)	1
		O-RING (HOUSING PLUG- END PORTED MODEL)	2

## SEAL KIT FOR ROSS/PARKER MOTORS

SEAL KIT FOR HYDRAULIC MOTOR (12050)			
ITEM	PART NUMBER	DESCRIPTION	QTY
1	12050	SEAL KIT, MOTOR 8.0 CID AIR REEL MOTOR (ROSS)	1
		SEAL RINGS (PART NO. 032821)	5
		COMMUTATOR SEAL (PART NO. 032435)	1
		INNER SEAL (PART NO. 032377)	1
		BACK UP WASHER (PART NO. 028516)	1
		DIRT AND WATER SEAL (PART NO. 478036)	1
		GREASE PACK (PART NO. 406018)	1
		SERVICE MANUAL (PART NO. 050015)	1



<b>ASSEMBLY, ECCENTRIC ARM (22347)</b>			
<b>ITEM</b>	<b>PART NUMBER</b>	<b>DESCRIPTION</b>	<b>QTY</b>
1	21976	RING, ECCENTRIC FAR	1
2	21550-12	ARM, REEL/ECCENTRIC	6
3	15300	BOLT, 5/16" X 5/8" HHCS GR5 ZP	24
4	15356	NUT, 5/16" NE NYLOCK ZP	48
5	15403	BOLT, 5/16" X 1-3/4" HHCS GR5 ZP	6
6	15754-00	BOLT, 5/16" X 2-1/4" HCPS GR5	6
7	24318-12	SHIELD, END-6 BAT	1
8	15250	WASHER, 5/16" FLAT ZP	12
9	15219	BOLT, 5/16" X 1" HHCS NC GR5 ZP	12
10	21509	KIT, BEARING W/CAP (INCLUDES ITEMS A-C)	6
A	17404	BASE, BEARING, PLASTIC	1
B	12528	CAP, BEARING, PLASTIC	1
C	15030	WASHER, 1/4" FLAT ZP	2



01/10

CHALLENGER  
GLEANER 5, 7 & 8 SERIES  
GLEANER/MASSEY FERGUSON 8200  
MASSEY FERGUSON 9850

**REEL ARM MOUNT  
(MANUAL OEM FORE & AFT)**

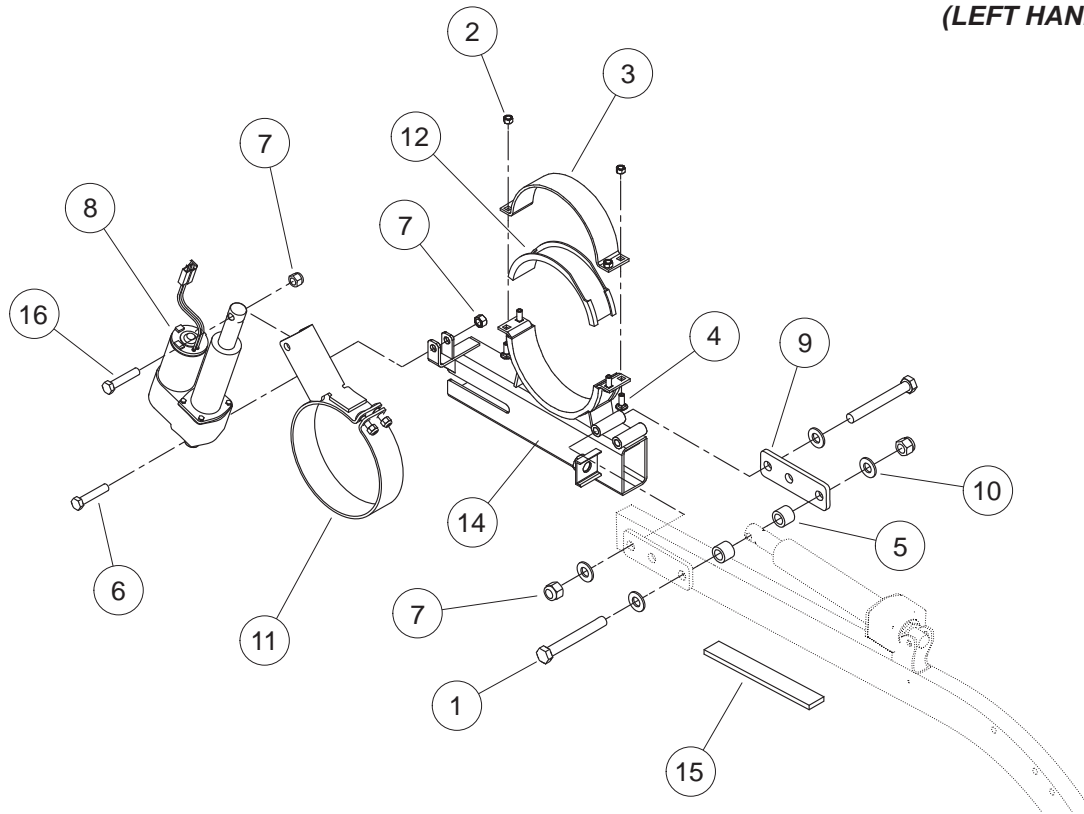
REEL ARM MOUNT KIT (23635)			
ITEM	PART NUMBER	DESCRIPTION	QTY
1	15009	BOLT, 3/8 X 3" GR5 HEX CAPSCREW ZP	2
2	15388	NUT, 3/8" NYLOCK ZP	10
3	23637	REEL SUPPORT ASSY RH	1
4	15057	BOLT, CARR 3/8 X 1" GR5 NC ZP	8
5	15086	BOLT, 1/2 X 3" GR5 HEX HD ZP	2
6	15092	BOLT, 1/2 X 2-1/2" GR5 HEX CAP ZP	2
7	15174	BOLT, 1/2 X 4" HEX CPS G5 ZP	2
8	17843	ELECTRIC ACTUATOR	1
9	22248	BRACKET WLDMT. ADJUST. (AC&NH)	2
10	23634	REEL SUPPORT PAD-RH	1
11	22479	PIVOT CLAMP ASSEMBLY	1
12	23633	REEL SUPPORT PAD-LH	1
13	23501	CLAMP, HALF	2
14	41158	BUSHING	2
15	23636	REEL SUPPORT ASSY LH	1
16	0101-0100-00	NUT, 1/2-13 UNC NYLOCK	6
17	22809	GUIDE, SADDLE	2

**REEL ARM MOUNT  
(ELECTRIC OEM FORE & AFT)**

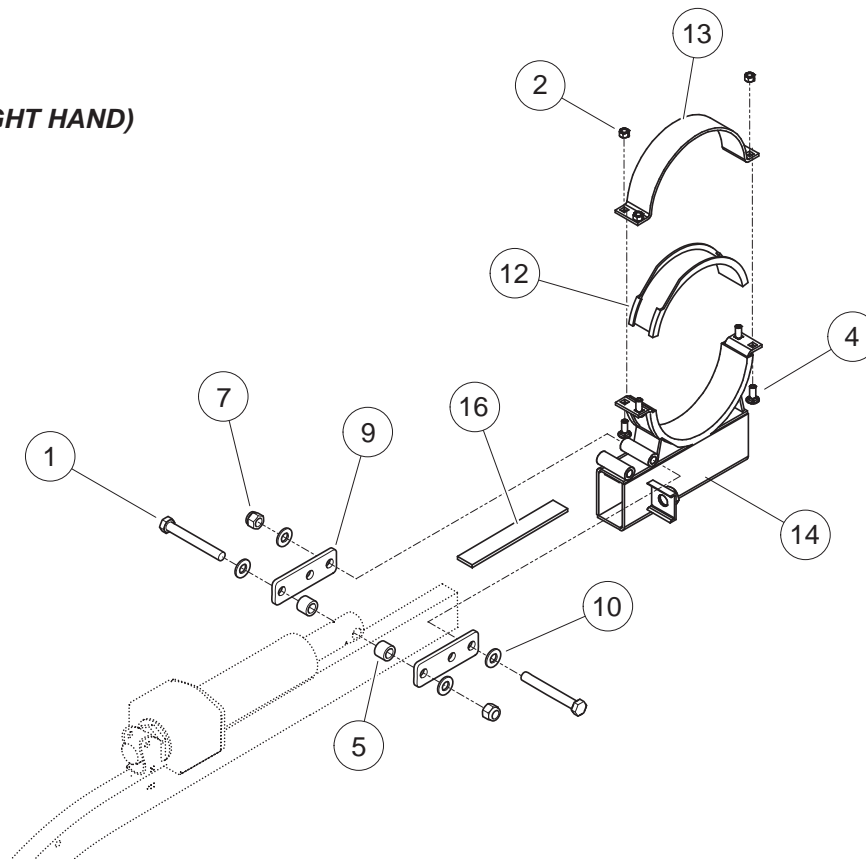
CHALLENGER  
GLEANER 5, 7 & 8 SERIES  
GLEANER/MASSEY FERGUSON 8200  
MASSEY FERGUSON 9850

01/10

**(LEFT HAND)**



**(RIGHT HAND)**

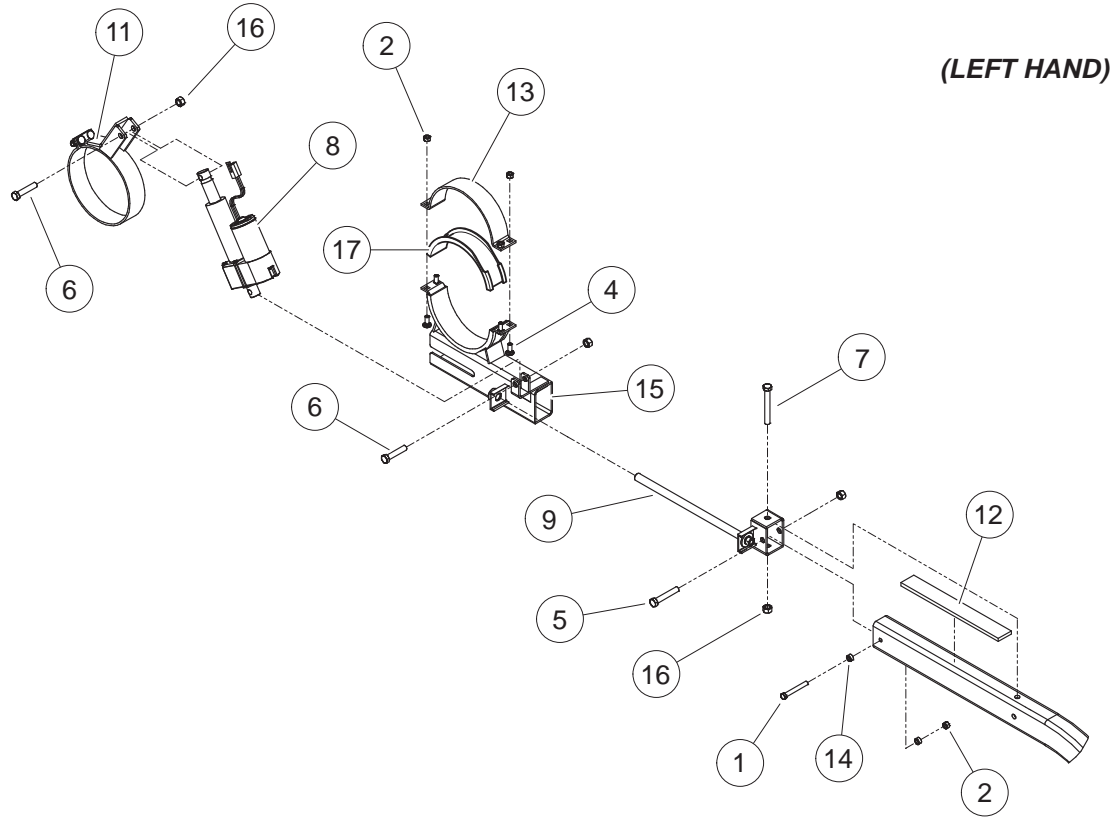


01/10

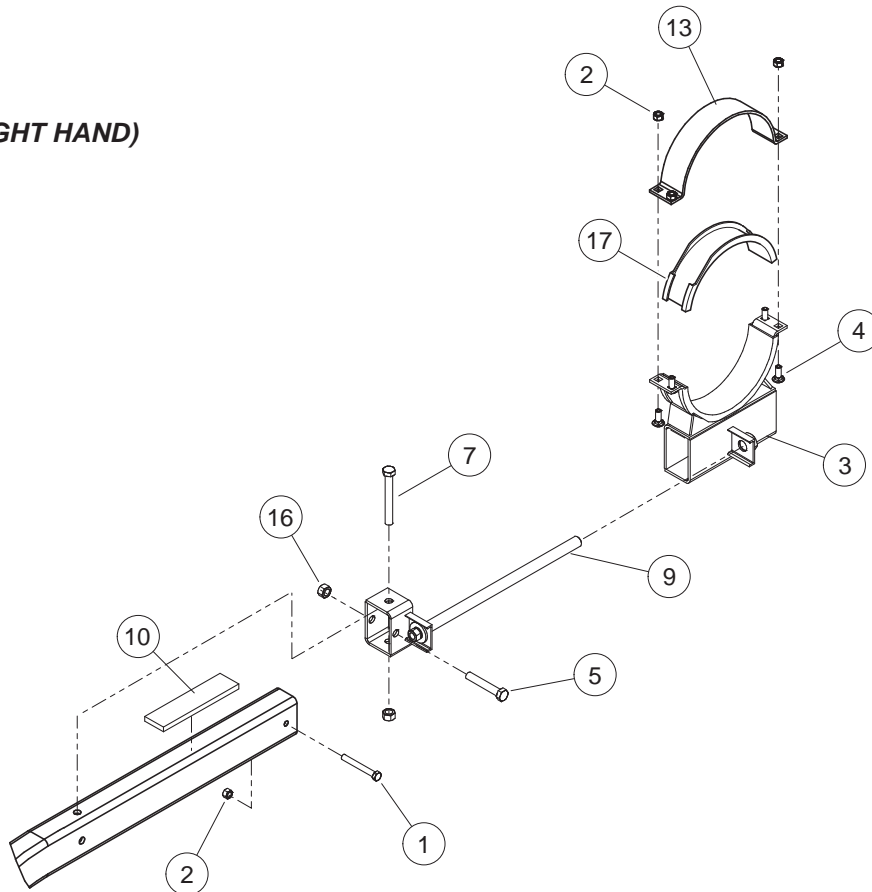
CHALLENGER  
GLENER 5, 7 & 8 SERIES  
GLENER/MASSEY FERGUSON 8200  
MASSEY FERGUSON 9850

**REEL ARM MOUNT  
(ELECTRIC OEM FORE & AFT)**

REEL ARM MOUNT KIT (23635)			
ITEM	PART NUMBER	DESCRIPTION	QTY
1	15174	BOLT, 1/2 X 4" GR5 HEX CAP G5 ZP	6
2	15388	NUT, 3/8" NE NYLOCK ZP	12
3	23501	CLAMP, HALF	2
4	15057	BOLT, CARR 3/8 X 1" GR5 NC ZP	8
5	0313-0569-00	SPACER, .875 X .562 X .69 STL	4
6	15092	BOLT, 1/2 X 2-1/2" GR5 HEX CAP ZP	2
7	0101-0100-00	NUT, 1/2"-13 UNC NYLOCK	8
8	17843	ELECTRIC ACTUATOR	1
9	29722-12	PLATE, ACTUATOR ATTACH.	4
10	15097	WASHER 1/2" SAE FLAT ZP	12
11	22479	PIVOT CLAMP ASSEMBLY	1
12	22809	GUIDE, SADDLE	2
13	23637	REEL SUPPORT ASSY RH	1
14	23636	REEL SUPPORT ASSY LH	1
15	23633	REEL SUPPORT PAD-LH	1
16	23634	REEL SUPPORT PAD-RH	1

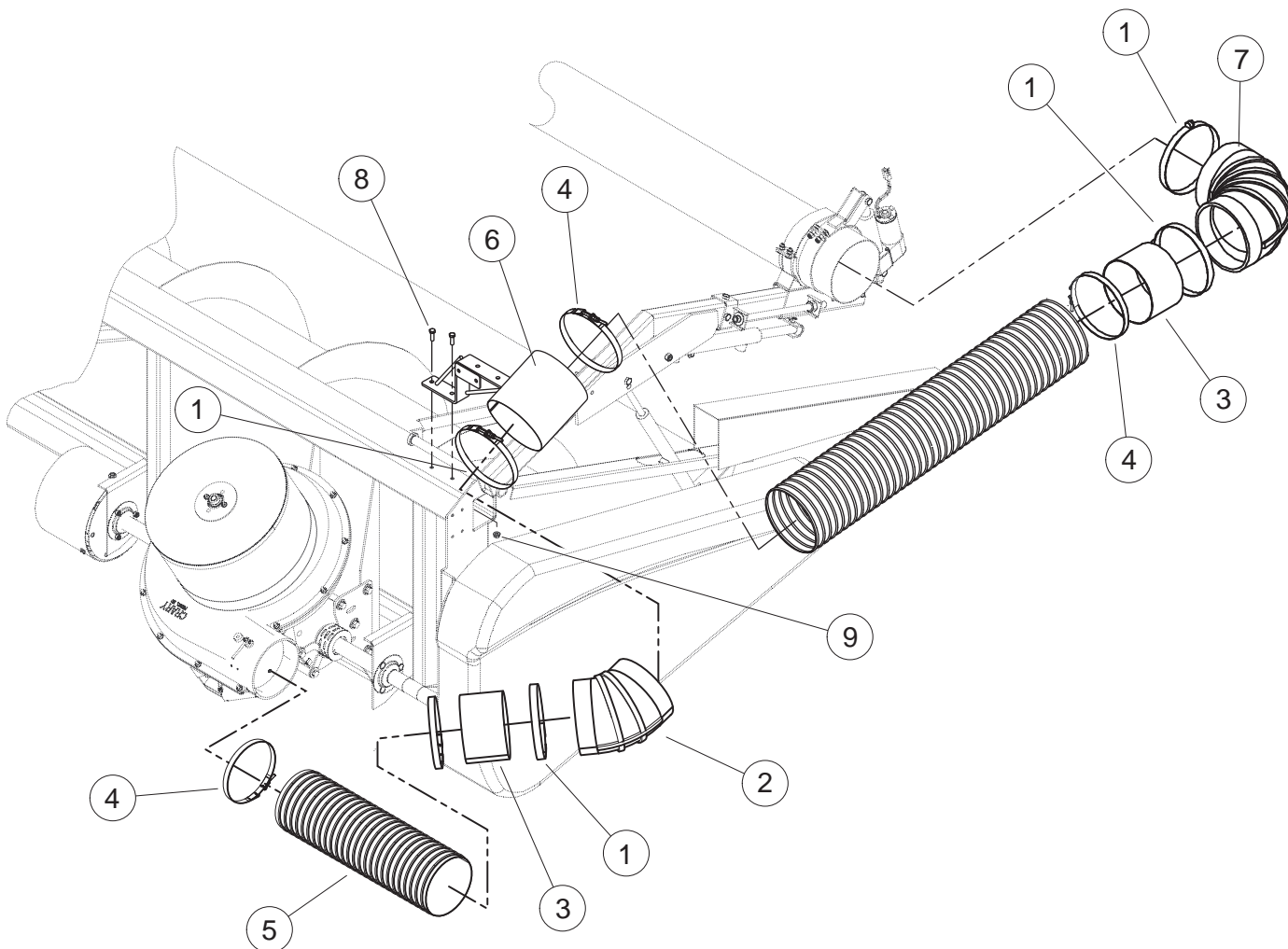


(RIGHT HAND)

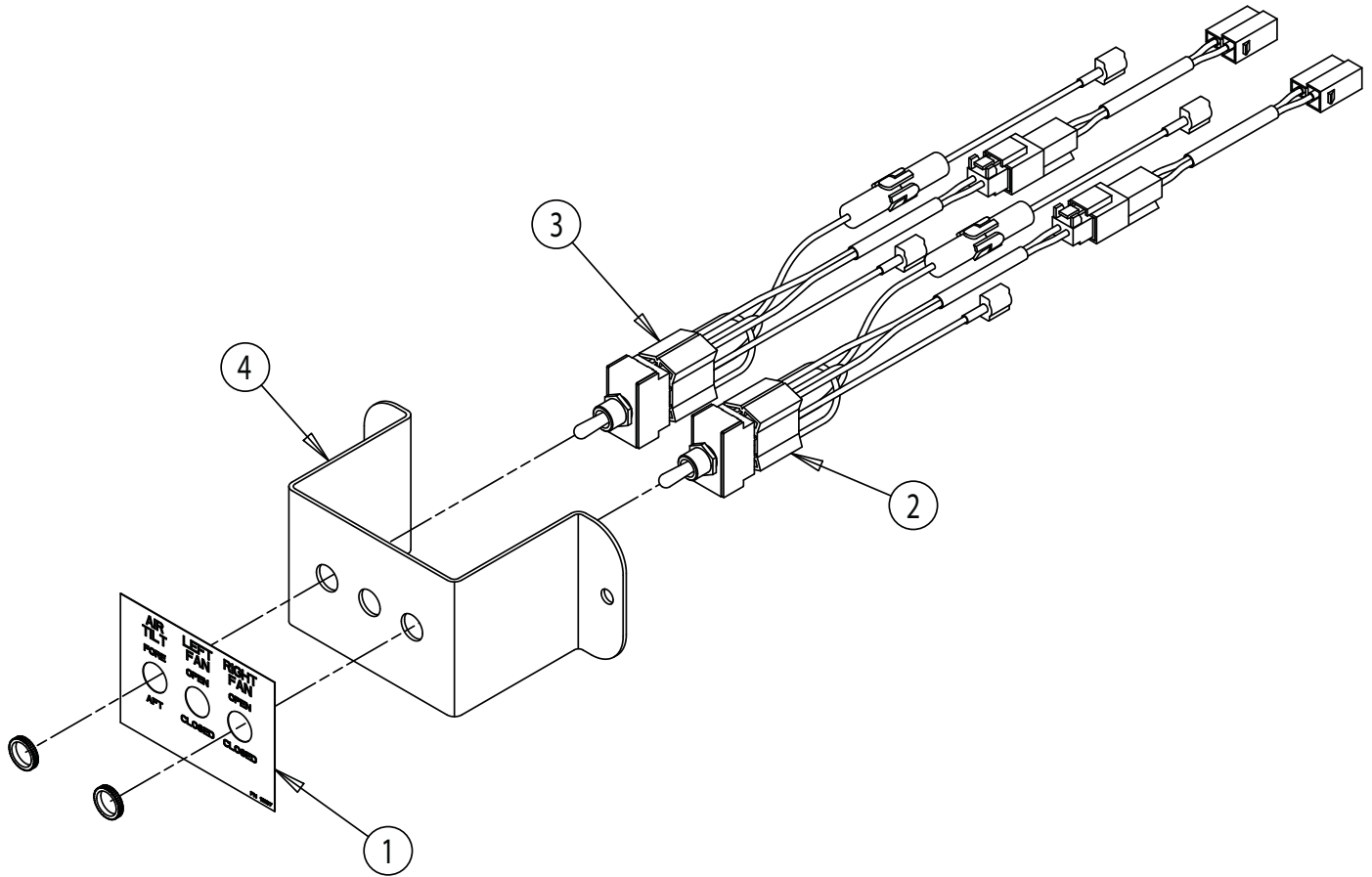




REEL ARM MOUNT KIT (22257)			
ITEM	PART NUMBER	DESCRIPTION	QTY
1	15009	BOLT, 3/8 X 3" GR5 HEX CAPSCREW ZP	2
2	15047	NUT, 3/8" CENTERLOCK ZP	10
3	22818	REEL SUPPORT ASSY RH AC&NH	1
4	15057	BOLT, CARR 3/8 X 1" GR5 NC ZP	8
5	15086	BOLT, 1/2 X 3" GR5 HEX HD ZP	2
6	15092	BOLT, 1/2 X 2-1/2" GR5 HEX CAP ZP	2
7	15174	BOLT, 1/2 X 4" HEX CPS G5 ZP	2
8	17843	ELECTRIC ACTUATOR	1
9	22248	BRACKET WLDMT. ADJUST. (AC&NH)	2
10	22259	REEL SUPPORT PAD-RH	1
11	22479	PIVOT CLAMP ASSEMBLY	1
12	22260	REEL SUPPORT PAD-LH	1
13	23501	CLAMP, HALF	2
14	41158	BUSHING	2
15	22819	REEL SUPPORT ASSY LH AC&NH	1
16	15049	NUT, 1/2" CENTERLOCK GRB ZP	6
17	22809	GUIDE, SADDLE	2

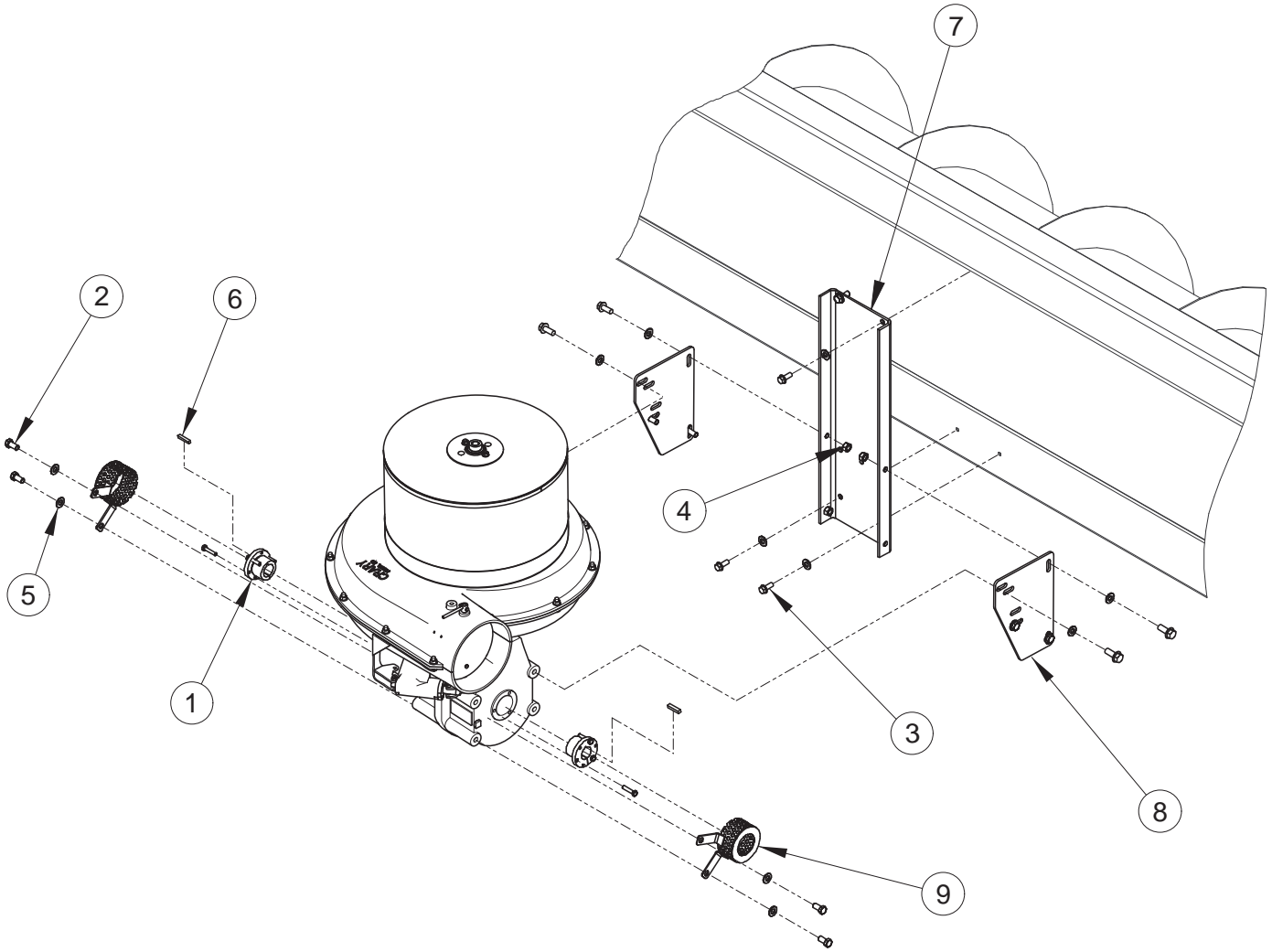


FAN HOSE ASSEMBLY			
ITEM	PART NUMBER	DESCRIPTION	QTY
1	16092	T-BOLT CLAMP 8-11/16"	4
2	12146	ELBOW, RUBBER - 8" X 45 DEG.	1
3	21512	ELBOW SUPPORT BAND	2
4	16091	T-BOLT CLAMP 8-1/4"	4
5	17777	8" FLEX HOSE X 8' LG	1
6	24651-12	HOSE CONNECTOR WELDMENT	1
7	17437	MANIFOLD ELBOW - 8" (MR)	1
8	15219	BOLT, 5/16 X 1" GR5 HHCS NC ZP	2
9	15351	NUT, 5/16 SERR FLANGE NC ZP	2



SWITCH/MOUNT PLATE ASSEMBLY (24333)			
ITEM	PART NUMBER	DESCRIPTION	QTY
1	12167	DECAL, ACTUATOR SWITCH	1
2	17849	ELECTRIC SWTICH ASSEMBLY - SPLIT 6 AMP (INCLUDES ITEM BELOW)	1
	13901	SWITCH, 3P COL HERS 55065-03 (NOT SHOWN)	1
3	17850	ELECTRIC SWITCH ASSEMBLY - SPLIT 15 AMP (INCLUDES ITEM BELOW)	1
	13901	SWITCH, 3P COL HERS 55065-03 (NOT SHOWN)	1
4	24332-12	PLATE, SWITCH MOUNT	1

ATTACHMENT, 9 FT. EXTENSION HARNESS			
ITEM	PART NUMBER	DESCRIPTION	QTY
	18048-00	HARNESS, 9 FT PACKARD EXT	1

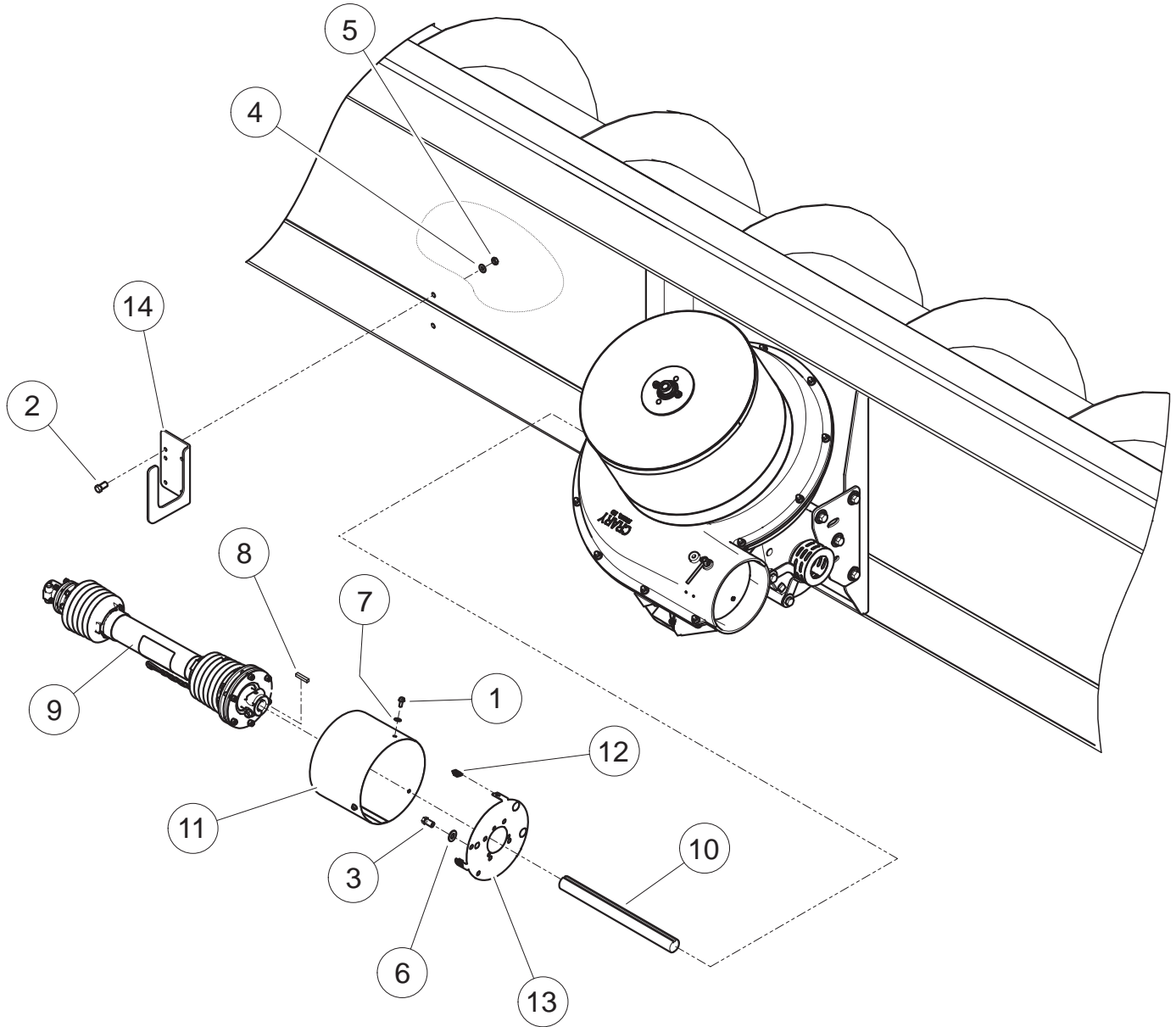


GEARBOX MOUNT/DRIVE KIT (22676)			
ITEM	PART NUMBER	DESCRIPTION	QTY
1	12457	BUSHING, 1-3/8" SD (INCLUDES ITEM BELOW)	2
	15282	BOLT, 5/16 X 1-1/2 GR5 HEX CPS ZP (NOT SHOWN)	3
2	15012	BOLT, 1/2" X 1" HEX HD	4
3	15612	BOLT, 1/2" X 1-1/4" SERR FLNG	12
4	15049	NUT, 1/2" CENTERLOCK GRB ZP	8
5	15034	WASHER, 1/2" FLAT ZP	16
6	15498	KEY, 5/16" X 1-3/4" SQUARE	2
7	22634	MOUNT PLATE SUPPORT (DAC)	1
8	22635	GEARBOX MOUNT PLATE (DAC)	2
9	22696	WELDMENT, SHIELD	2

**RIGHT HAND DRIVE KIT**

18' GLEANER 2 & 3 SERIES  
18' GLEANER 5, 7 & 8 SERIES  
18' MASSEY FERGUSON 9850

01/10



01/10

18' GLEANER 2 & 3 SERIES  
 18' GLEANER 5, 7 & 8 SERIES  
 18' MASSEY FERGUSON 9850

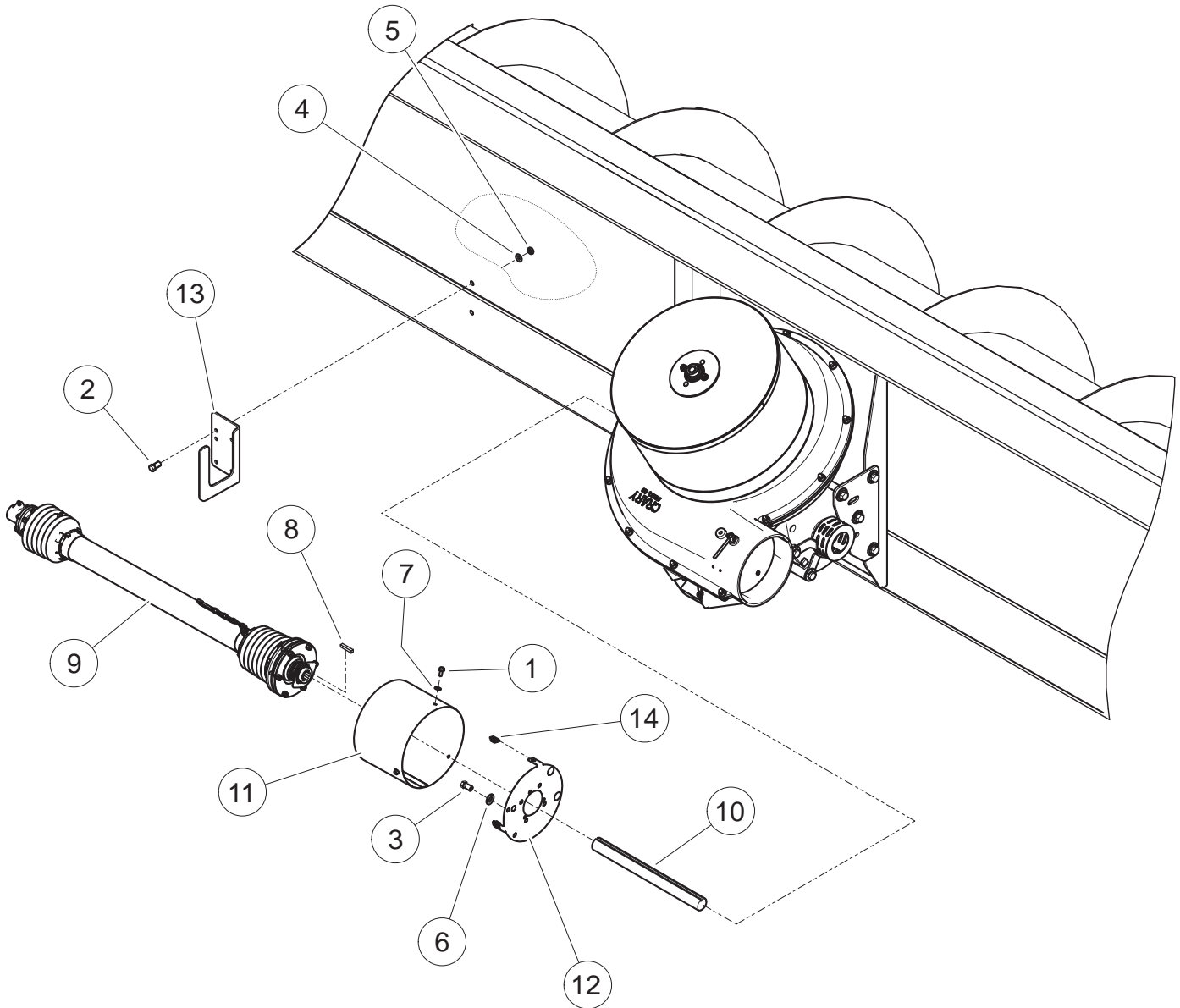
**RIGHT HAND DRIVE KIT**

<b>RH DRIVE KIT (24060)</b>			
<b>ITEM</b>	<b>PART NUMBER</b>	<b>DESCRIPTION</b>	<b>QTY</b>
1	15003	BOLT, 5/16" X 3/4" HEX HD	3
2	15006	BOLT, 3/8" X 1" HEX HD	2
3	15013	BOLT, 1/2" X 1-1/4" HEX HD	2
4	15031	WASHER, 3/8" FLAT	2
5	15051	NUT, 3/8" SERR FLG	2
6	15097	WASHER, 1/2" SAE FLAT	2
7	15250	WASHER, 5/16" FLAT	3
8	15498	KEY, 5/16" X 1-3/4" SQUARE	1
9	(SEE DRIVELINE OPTIONS, PAGES 44-45)		
10	24036	SHAFT, GEARBOX DRIVE	1
11	24037-12	SHIELD, SLIP CLUTCH	1
	24039	ASSEMBLY, SHIELD MOUNT PLATE (INCLUDES ITEMS 12-13)	1
12	15402	NUT, 5/16"-18 TINNERMAN U-TYPE	3
13	24038-12	SHIELD MOUNT PLATE	1
14	24669-12	BRACKET, DRIVELINE SUPPORT (GLEANER)	1

**RIGHT HAND DRIVE KIT**

20' CHALLENGER  
20', 22' & 24' GLEANER 2 & 3 SERIES  
20' & 22' GLEANER 5, 7 & 8 SERIES  
20' GLEANER/MASSEY FERGUSON 8200  
20', 22' & 24' MASSEY FERGUSON 9850

01/10



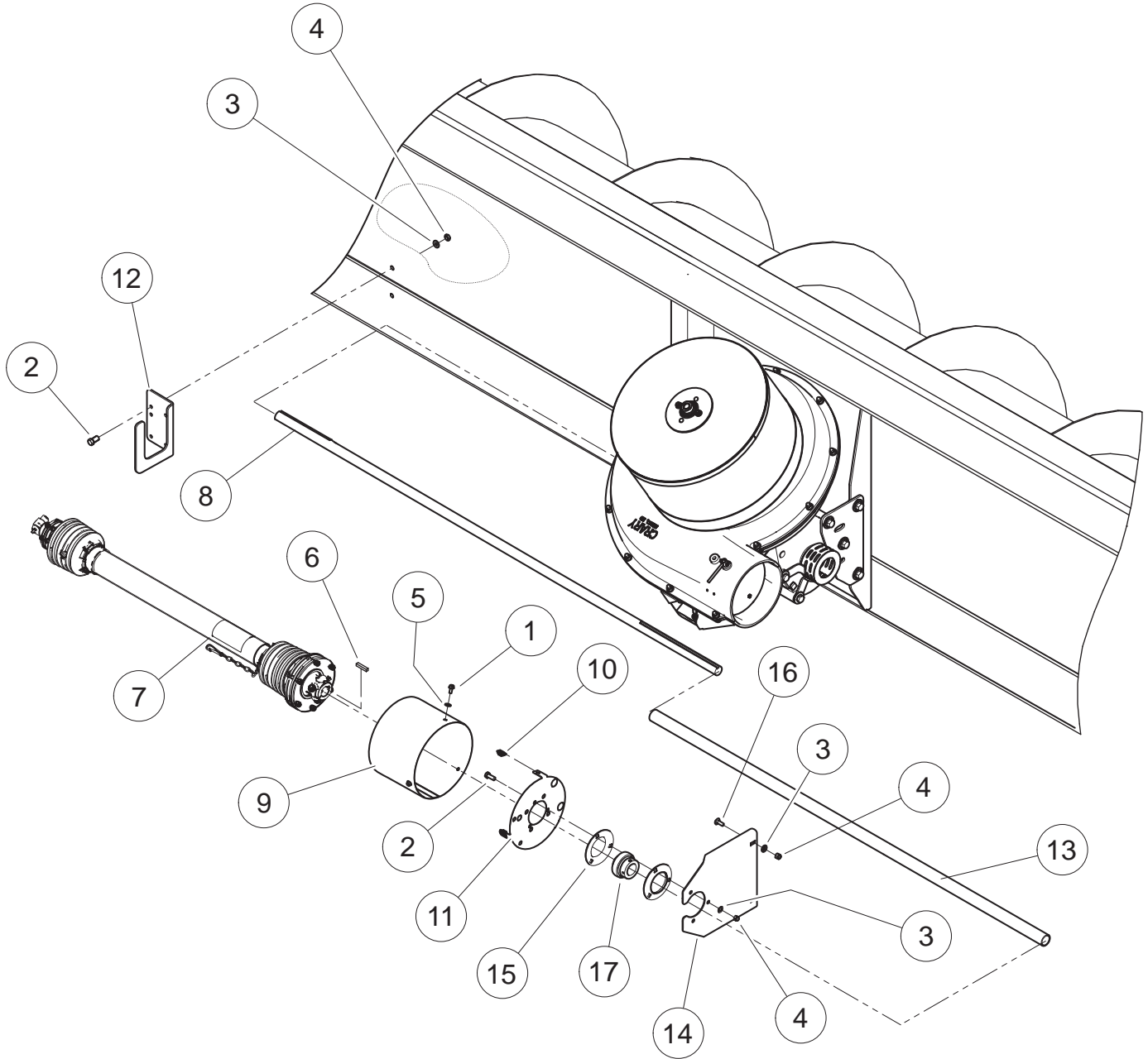


01/10

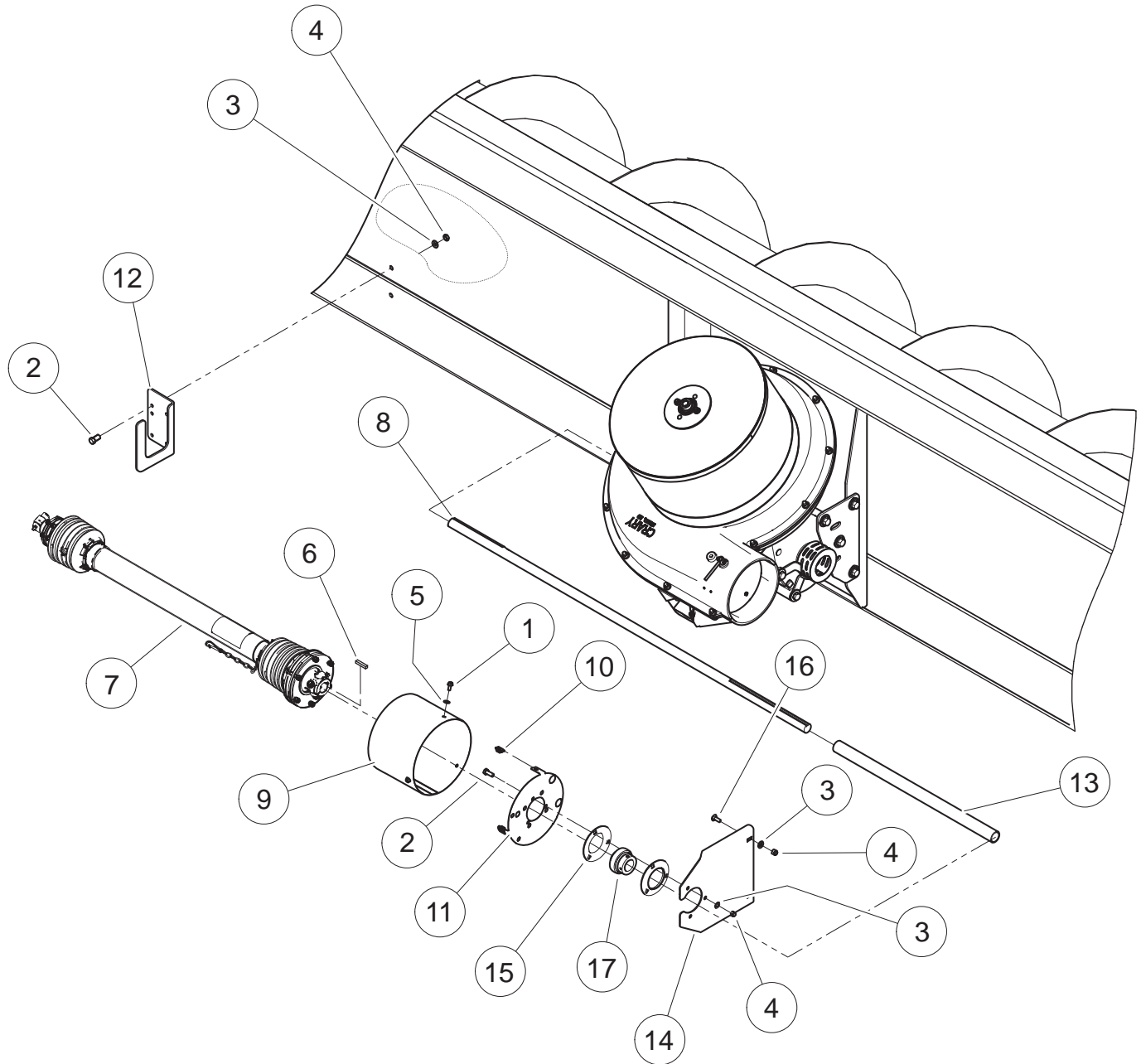
20' CHALLENGER  
 20', 22' & 24' GLEANER 2 & 3 SERIES  
 20' & 22' GLEANER 5, 7 & 8 SERIES  
 20' GLEANER/MASSEY FERGUSON 8200  
 20', 22' & 24' MASSEY FERGUSON 9850

**RIGHT HAND DRIVE KIT**

<b>RH DRIVE KIT (24061)</b>			
<b>ITEM</b>	<b>PART NUMBER</b>	<b>DESCRIPTION</b>	<b>QTY</b>
1	15003	BOLT, 5/16" X 3/4" HEX HD	3
2	15006	BOLT, 3/8" X 1" HEX HD	2
3	15013	BOLT, 1/2" X 1-1/4" HEX HD	2
4	15031	WASHER, 3/8" FLAT	2
5	15051	NUT, 3/8" SERR FLG	2
6	15097	WASHER, 1/2" SAE FLAT	2
7	15250	WASHER, 5/16" FLAT	3
8	15498	KEY, 5/16" X 1-3/4" SQUARE	1
9	(SEE DRIVELINE OPTIONS, PAGES 44-45)		
10	24036	SHAFT, GEARBOX DRIVE	1
11	24037-12	SHIELD, SLIP CLUTCH	1
	24039	ASSEMBLY, SHIELD MOUNT PLATE (INCLUDES ITEMS 12-13)	1
12	15402	NUT, 5/16"-18 TINNEMAN U-TYPE	3
13	24038-12	SHIELD MOUNT PLATE	1
14	24669-12	BRACKET, DRIVELINE SUPPORT (GLEANER)	1



RH DRIVE KIT (29984)			
ITEM	PART NUMBER	DESCRIPTION	QTY
1	15003	BOLT, 5/16" X 3/4" HEX HD	3
2	15006	BOLT, 3/8" X 1" HEX HD	5
3	15031	WASHER, 3/8" FLAT	7
4	15051	NUT, 3/8" SERR FLG	7
5	15250	WASHER, 5/16" FLAT	3
6	15498	KEY, 5/16" X 1-3/4" SQUARE	1
7	(SEE DRIVELINE OPTIONS, PAGES 44-45)		
8	24168	SHAFT, GEARBOX DRIVE	1
9	24037-12	SHIELD, SLIP CLUTCH	1
	24039	ASSEMBLY, SHIELD MOUNT PLATE (INCLUDES ITEMS 10-11)	1
10	15402	NUT, 5/16"-18 TINNERMAN U-TYPE	3
11	24038-12	SHIELD MOUNT PLATE	1
12	24669-12	BRACKET, DRIVELINE SUPPORT (GLEANER)	1
13	21240	SHIELD, DRIVESHAFT	1
14	26051-12	BEARING MOUNT	1
15	17060	FLANGETTE, 72MS RND 3BIT ZP	2
16	15057	BOLT, 3/8 X 1" CARRIAGE GR5 NC ZP	2
17	17059	BEARING, 1-3/8" ROUND BORE	1

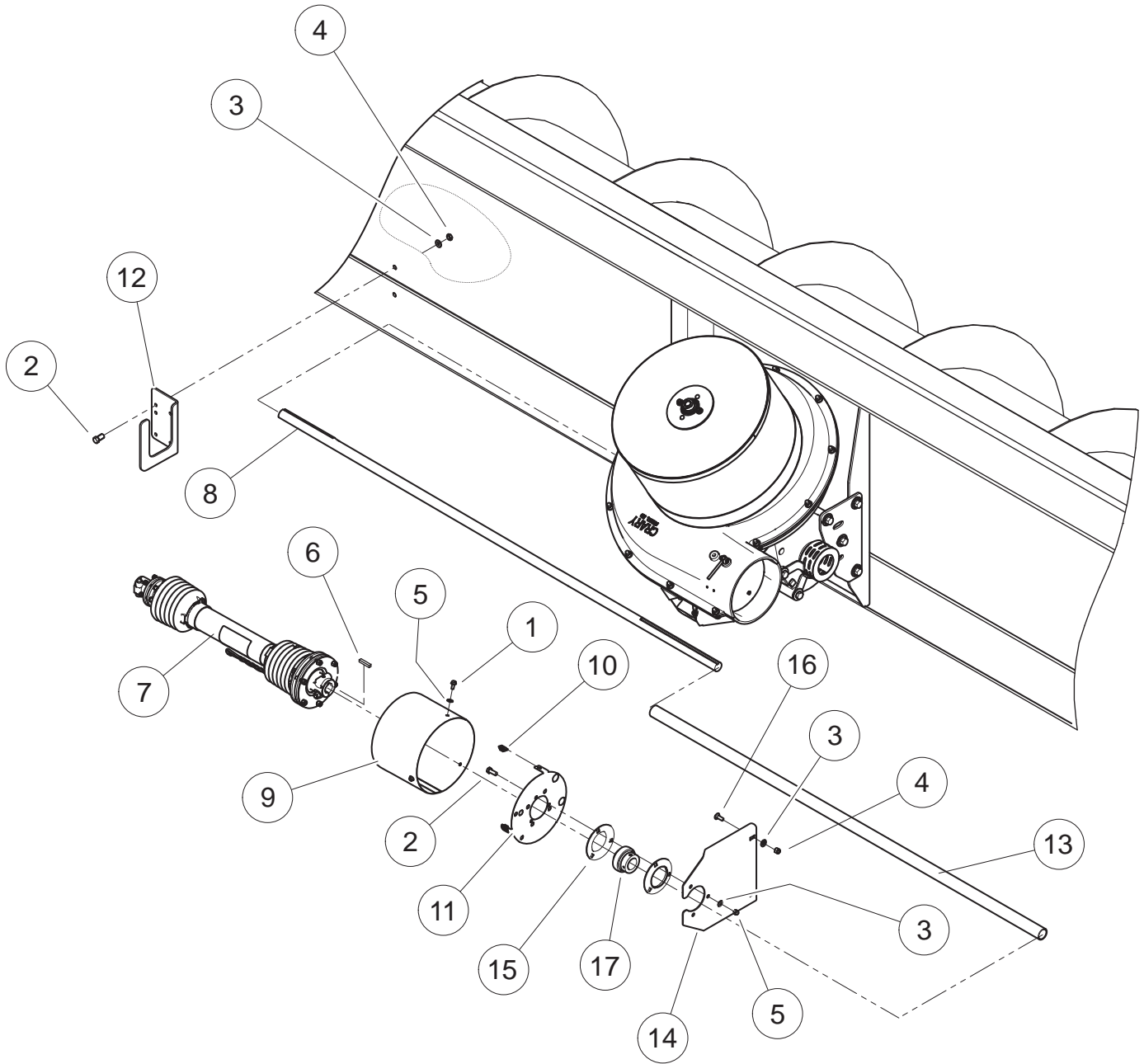


RH DRIVE KIT (24106)			
ITEM	PART NUMBER	DESCRIPTION	QTY
1	15003	BOLT, 5/16" X 3/4" HEX HD	3
2	15006	BOLT, 3/8" X 1" HEX HD	5
3	15031	WASHER, 3/8" FLAT	7
4	15051	NUT, 3/8" SERR FLG	7
5	15250	WASHER, 5/16" FLAT	3
6	15498	KEY, 5/16" X 1-3/4" SQUARE	1
7	(SEE DRIVELINE OPTIONS, PAGES 44-45)		
8	26052-00	SHAFT, GEARBOX DRIVE	1
9	24037-12	SHIELD, SLIP CLUTCH	1
	24039	ASSEMBLY, SHIELD MOUNT PLATE (INCLUDES ITEMS 10-11)	1
10	15402	NUT, 5/16"-18 TINNEMAN U-TYPE	3
11	24038-12	SHIELD MOUNT PLATE	1
12	24669-12	BRACKET, DRIVELINE SUPPORT (GLEANER)	1
13	23141	SHIELD, DRIVESHAFT - 36"	1
14	26051-12	BEARING MOUNT	1
15	17060	FLANGETTE, 72MS RND 3BIT ZP	2
16	15057	BOLT, 3/8 X 1" CARRIAGE GR5 NC ZP	2
17	17059	BEARING, 1-3/8" ROUND BORE	1

**RIGHT HAND DRIVE KIT**

30' & 35' CHALLENGER  
30' GLEANER 2 & 3 SERIES  
30' GLEANER 5, 7 & 8 SERIES  
30' & 35' GLEANER/MASSEY FERGUSON 8200  
30' MASSEY FERGUSON 9850

01/10

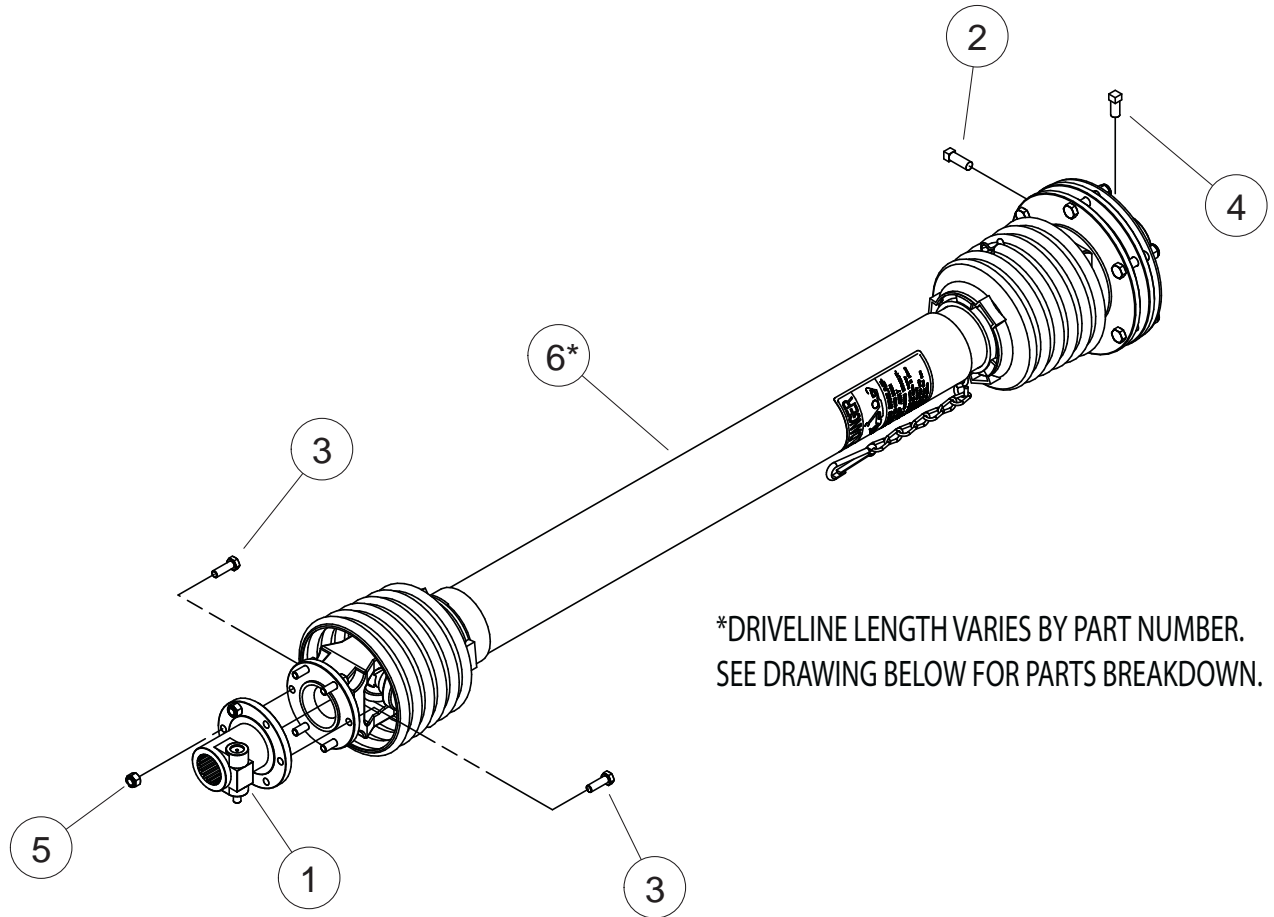


01/10

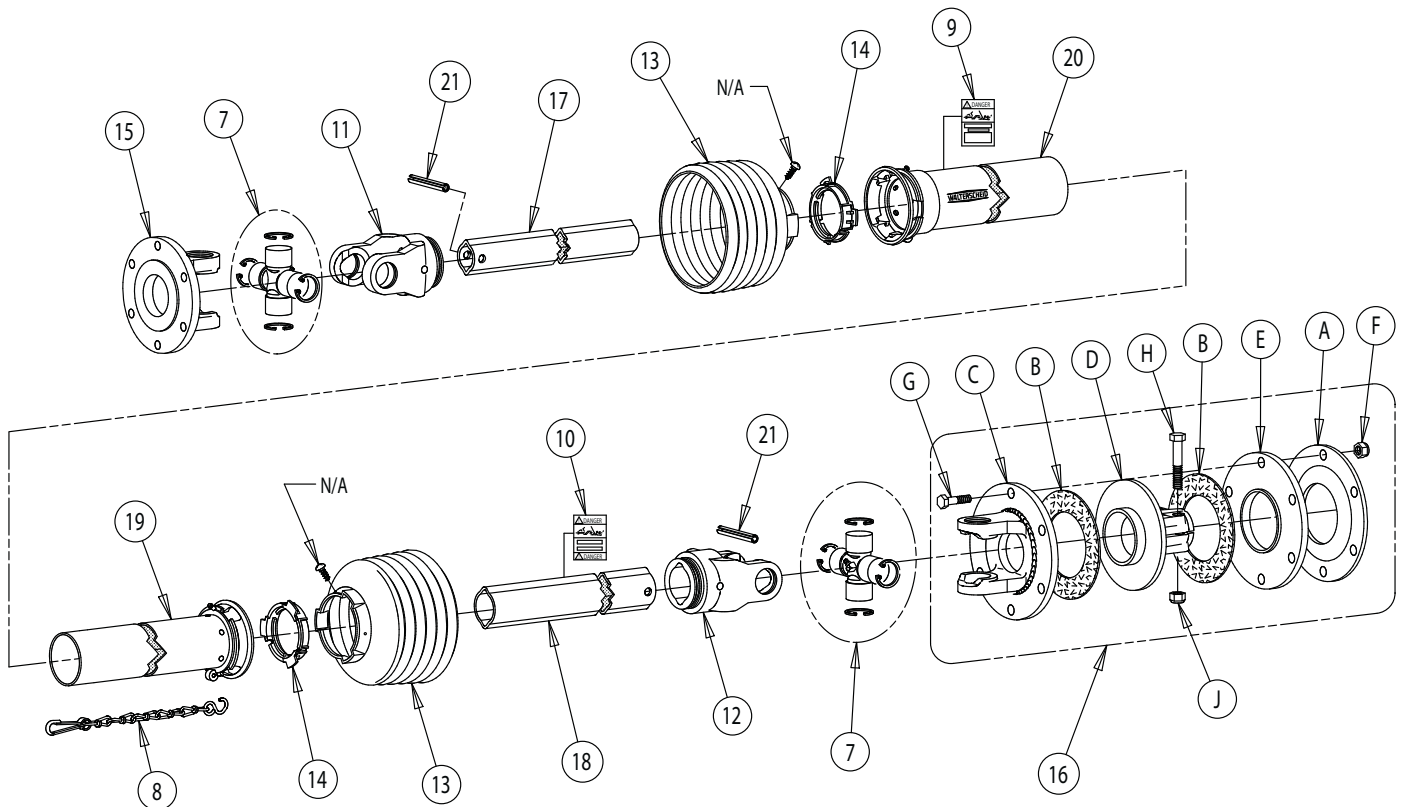
30' & 35' CHALLENGER  
 30' GLEANER 2 & 3 SERIES  
 30' GLEANER 5, 7 & 8 SERIES  
 30' & 35' GLEANER/MASSEY FERGUSON 8200  
 30' MASSEY FERGUSON 9850

**RIGHT HAND DRIVE KIT**

RH DRIVE KIT				
ITEM	PART NUMBER	DESCRIPTION	30' HEADERS (24062) QTY	35' HEADERS (29773) QTY
1	15003	BOLT, 5/16" X 3/4" HEX HD	3	3
2	15006	BOLT, 3/8" X 1" HEX HD	5	5
3	15031	WASHER, 3/8" FLAT	7	7
4	15051	NUT, 3/8" SERR FLG	7	7
5	15250	WASHER, 5/16" FLAT	3	3
6	15498	KEY, 5/16" X 1-3/4" SQUARE	1	1
7	(SEE DRIVELINE OPTIONS, PAGES 44-45)			
8	26053-00	SHAFT, GEARBOX DRIVE	1	
	29765-00	SHAFT, GEARBOX DRIVE (101.75")		1
9	24037-12	SHIELD, SLIP CLUTCH	1	1
	24039	ASSEMBLY, SHIELD MOUNT PLATE (INCLUDES ITEMS 10-11)	1	1
10	15402	NUT, 5/16"-18 TINNERMAN U-TYPE	3	3
11	24038-12	SHIELD MOUNT PLATE	1	1
12	24669-12	BRACKET, DRIVELINE SUPPORT (GLEANER)	1	1
13	21241	SHIELD, DRIVE SHAFT	1	
	29766-00	SHIELD, DRIVE SHAFT (86.63")		1
14	26051-12	BEARING MOUNT	1	1
15	17060	FLANGETTE, 72MS RND 3BIT ZP	2	2
16	15057	BOLT, 3/8 X 1" CARRIAGE GR5 NC ZP	2	2
17	17059	BEARING, 1-3/8" ROUND BORE	1	1



\*DRIVELINE LENGTH VARIES BY PART NUMBER.  
SEE DRAWING BELOW FOR PARTS BREAKDOWN.

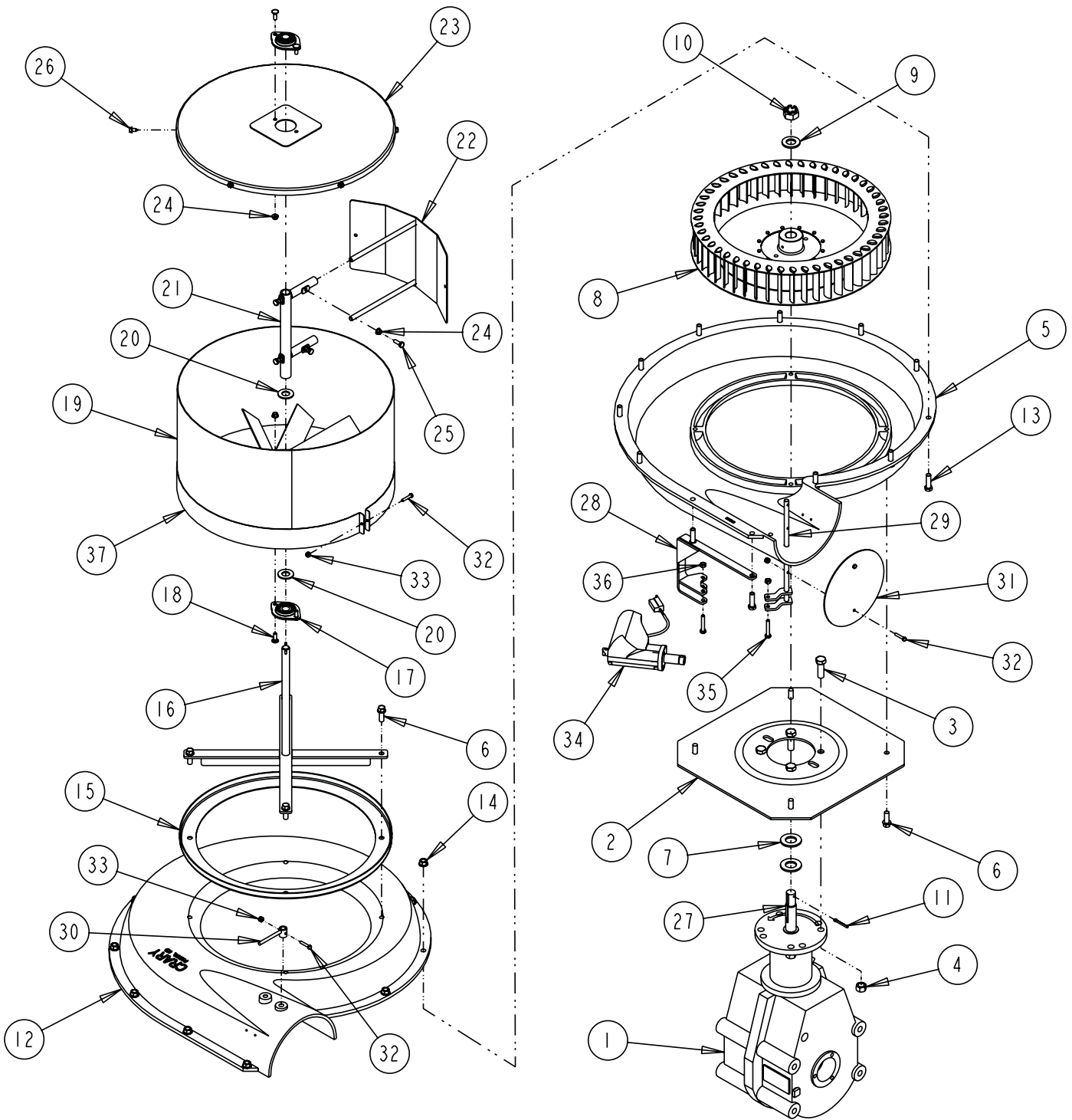




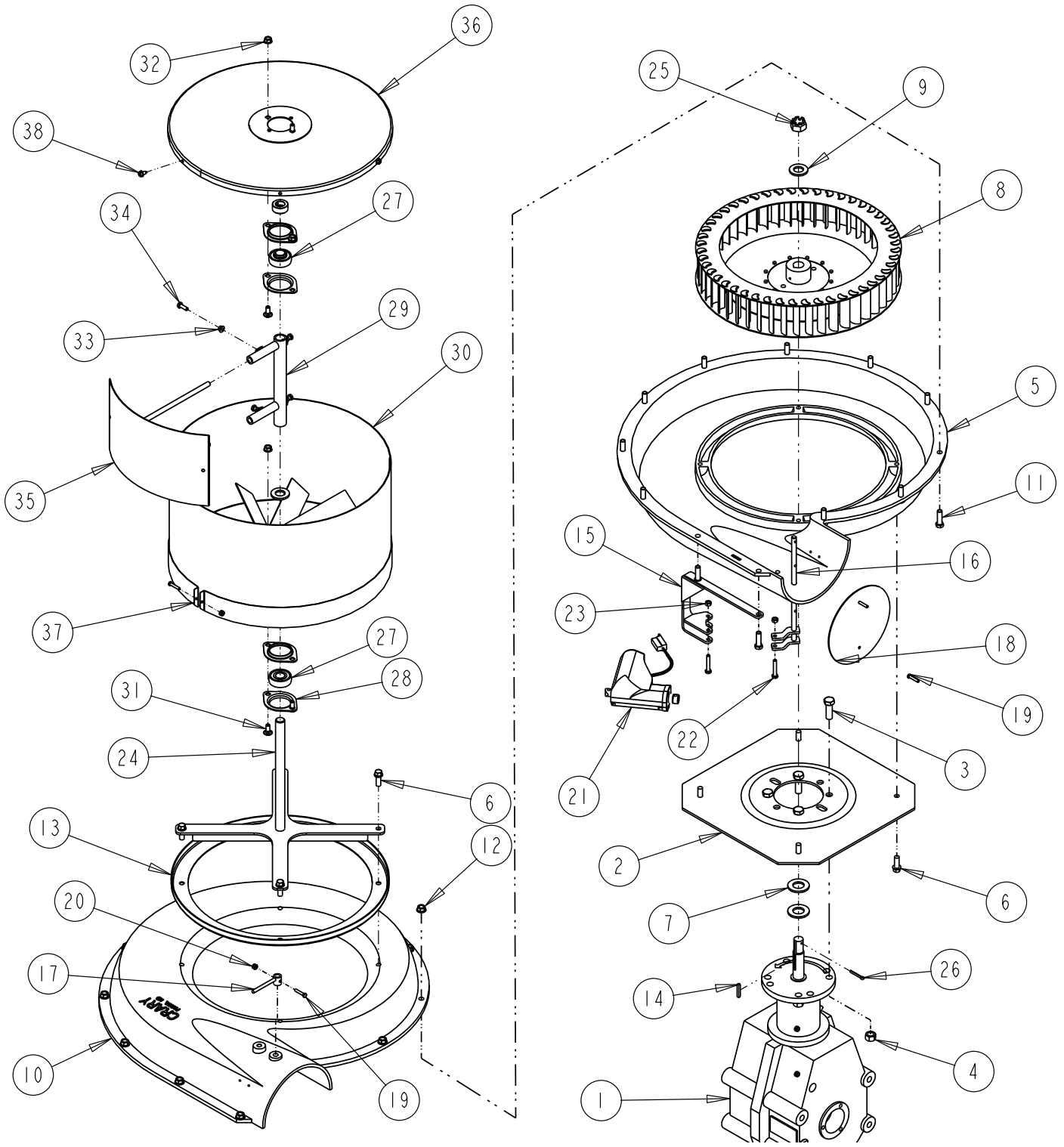
		HEADER WIDTH			
		16'-18'	20'-25'	30'	35'
DRIVELINE KIT #	27699-00	X		X	
	27701-00		X		
	29770-00				X

KIT, DRIVELINE/C-FLANGE					
ITEM	PART NUMBER	DESCRIPTION	27699-00 QTY	27701-00 QTY	29770-00 QTY
1	13914-00	COUNTER FLANGE, 1-3/8", 21 SPLINE, W/QD	1	1	1
2	15070	SCREW, 3/8" X 1" SQUARE HEAD SET	1	1	1
3	15219	BOLT, 5/16" X 1" HHCS NC GR5 ZP	6	6	6
4	15256	SCREW, 3/8" X 3/4" SQUARE HEAD SET ZP	1	1	1
5	15356	NUT, 5/16" NE NYLOCK ZP	6	6	6
6	16934	HEADER DRIVELINE W/CLUTCH (S) (SEE TABLE BELOW)	1		
	16935	HEADER DRIVELINE W/CLUTCH (L) (SEE TABLE BELOW)		1	
	14795-00	HEADER DRIVELINE W/CLUTCH (M) (SEE TABLE BELOW)			1

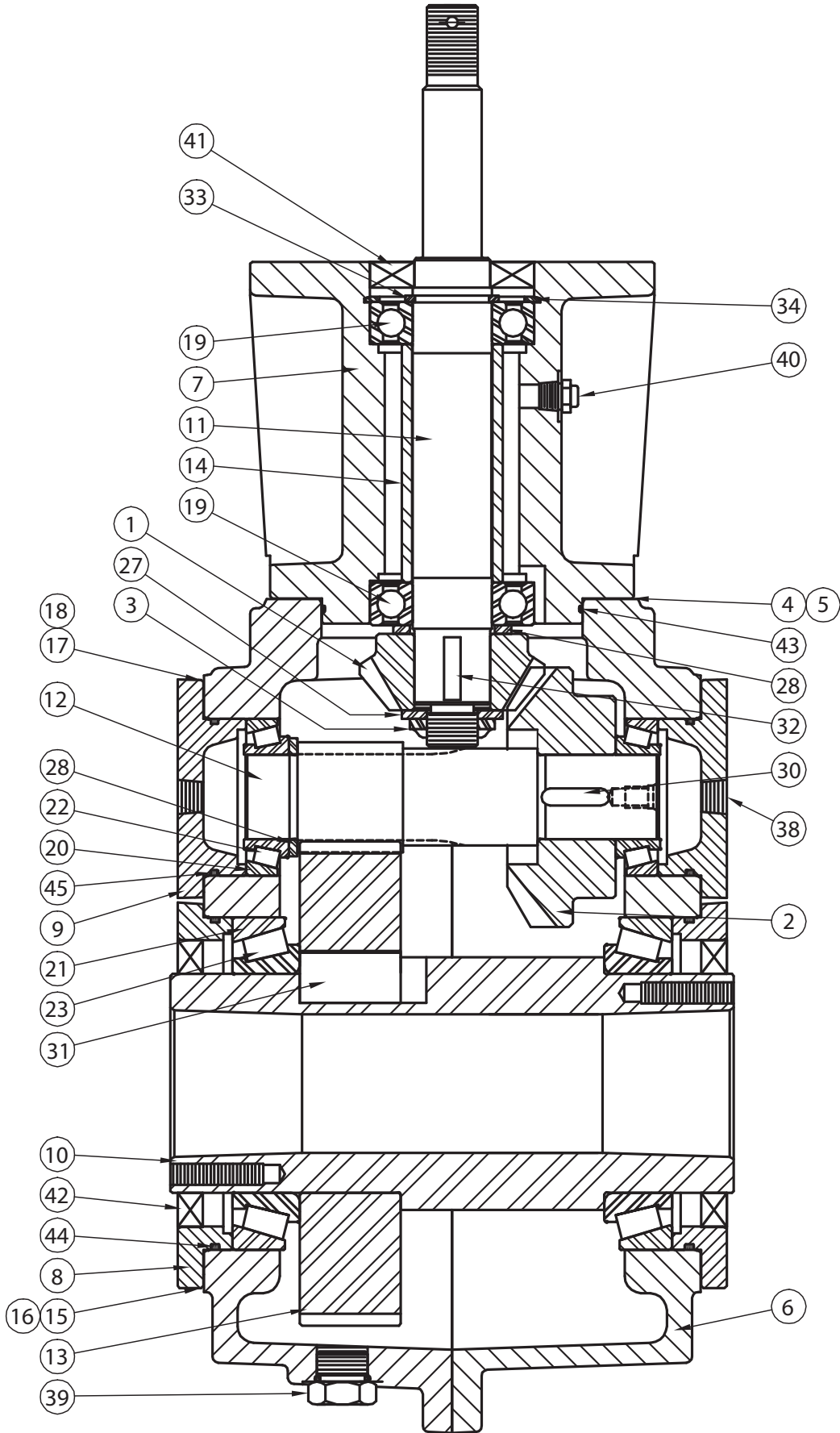
DRIVELINE SERVICE PARTS					
ITEM	PART NUMBER	DESCRIPTION	16934 QTY	16935 QTY	14795-00 QTY
7	0883-0120-00	KIT, CROSS AND BEARING W-2400	2	2	2
8	12209	CHAIN, SAFETY	1	1	1
9	12210	DECAL, OUT	1	1	1
10	12211	DECAL, IN	1	1	1
11	12215	YOKE, INBOARD 1B	1	1	1
12	12218	YOKE, INBOARD 2A	1	1	1
13	12220	CONE, 6 RIB SAFETY	2	2	2
14	12223	RING, SC25, BEARING	2	2	2
15	14714-00	YOKE, FLANGE	1	1	1
16	14722-00	CLUTCH, FRICTION (INCLUDES ITEMS A-J)	1	1	1
A	14061-00	SPRING, BELVILLE (WALTERSCHEID)	1	1	1
B	14062-00	SET, FRICTION DISC (WALTERSCHEID)	1	1	1
C	14720-00	YOKE, FLANGE	1	1	1
D	14721-00	HUB, CLUTCH	1	1	1
E	14736-00	PLATE, THRUST	1	1	1
F	15647	NUT, M10 X 1.5 HEX NYLOCK TYP NE YZP	6	6	6
G	15747-00	BOLT, M10 X 1.5 X 50 CLASS 8.8 HCPS	6	6	6
H	15748-00	BOLT, M12 X 1.75 X 65 CLASS 8.8 HCPS	1	1	1
J	15749-00	NUT, M12 X 1.75 HEX NYLOCK TYPE NE YZP	1	1	1
17	14728-00	PROFILE, INNER 1B, (SHORT)	1		
	14732-00	PROFILE, INNER 1B, (LONG)		1	
18	14729-00	PROFILE, OUTER 2A, (SHORT)	1		
	14733-00	PROFILE, OUTER 2A, (LONG)		1	
19	14730-00	TUBE, INNER SHIELD, (SHORT)	1		
	14734-00	TUBE, INNER SHIELD, (LONG)		1	
20	14731-00	TUBE, OUTER SHIELD, (SHORT)	1		
	14735-00	TUBE, OUTER SHIELD, (LONG)		1	
21	15575	PIN, M10 X 80, SPRING	2	2	2



GEARBOX/FAN (22757)			
ITEM	PART NUMBER	DESCRIPTION	QTY
1	22323	GEARBOX, 7.269:1 (SEE PAGES 50-51)	1
2	21445	HUB/MOTOR MOUNT PLATE (8 IN. -B PILOT)	1
3	15014	BOLT, 1/2 X 1-1/2 HEX HD	4
4	15049	NUT, 1/2 CENTERLOCK GRB ZP	4
5	21193	8" FAN RH SIDE W/ BUTTERFLY	1
6	15076	BOLT, 3/8 X 1 THREAD CUT	8
7	15099	WASHER, 7/8 SAE FLAT	2
8	14056-00	FAN ROTOR, 17.38" X 3" CW, 7/8 STL	1
9	15098	WASHER, 3/4 SAE FLAT	1
10	15055	NUT, HST SPINDLE CASTLE	1
11	15068	PIN, 5/32 X 1-1/4 COTTER	1
12	21194	8" FAN LH SIDE W/ BUTTERFLY	1
13	15364	BOLT, 3/8 NC X 1-1/4 HEX HD	12
14	15051	NUT, 3/8 SERR FLANGE	12
15	22655	BASE	1
16	23152	WELDMENT, BASE STRAP	1
17	16449	BEARING, 5/8" 2-BOLT FLNG	2
18	15238	BOLT, 1/4 X 3/4" CRG	4
19	23161	WELDMENT, SCREEN/BLADE	1
20	15129	WASHER, 5/8 SAE FLAT	2
21	23155	WELDMENT, PIVOT	1
22	23158	WELDMENT, SCREEN CLEANER	1
23	23163	WELDMENT, SCREEN CAP	1
24	15053	NUT, 1/4 SERR FLANGE	8
25	15001	BOLT, 1/4 X 3/4 HEX HD	4
26	15095	SCREW, CO. 14C1/2" TAPPING HWH ZP	6
27	7022	KEYSTOCK, 3/16"	1
28	25644-12	WELDMENT, ACTUATOR MOUNT	1
29	25641-12	WELDMENT, VALVE ACTUATOR	1
30	25638-35	WELDMENT, INDICATOR	1
31	21444	PLATE, LARGE BUTTERFLY	1
32	15552	BOLT, #10-24 X 1 IN. GR8 HCPS PLAIN	4
33	15397	NUT, #10X24 NYLOCK	4
34	13460-00	ACTUATOR, 2" STROKE WARNER	1
35	15342	BOLT, 1/4 X 1-1/2 HCS G5 ZP	2
36	15087	NUT, 1/4" CENTERLOCK	2
37	25592-12	WRAP, ROTARY SCREEN	1



GEARBOX/FAN (22757)			
ITEM	PART NUMBER	DESCRIPTION	QTY
1	22323	GEARBOX, 7.269:1 (SEE PAGES 50-51)	1
2	21445	HUB/MOTOR MOUNT PLATE (8 IN. -B PILOT)	1
3	15014	BOLT, 1/2" X 1-1/2" HEX HD	4
4	15049	NUT, 1/2" CENTERLOCK GRB ZP	4
5	21193	8" FAN RH SIDE W/ BUTTERFLY	1
6	15076	BOLT, 3/8" X 1 THREAD CUT	8
7	15099	WASHER, 7/8 SAE FLAT	2
8	14056-00	FAN ROTOR, 1" X 3" CW, 7/8 STL	1
9	15098	WASHER, 3/4 SAE FLAT	2
10	21194	8" FAN LH SIDE W/ BUTTERFLY	1
11	15364	BOLT, 3/8 NC X 1-1/4 HEX HD	12
12	15051	NUT, 3/8 SERR FLANGE	12
13	22655	BASE	1
14	7022	KEYSTOCK, 3/16"	1
15	25644-12	WELDMENT, ACTUATOR MOUNT	1
16	25641-12	WELDMENT, VALVE ACTUATOR	1
17	25638-35	WELDMENT, INDICATOR	1
18	21444	PLATE, LARGE BUTTERFLY	1
19	15552	BOLT, #10-24 X 1 IN. GR8 HCPS PLAIN	4
20	15397	NUT, #10X24 NYLOCK	4
21	13460-00	ACTUATOR, 2" STROKE WARNER	1
22	15342	BOLT, 1/4 X 1-1/2 HCS G5 ZP	2
23	15087	NUT, 1/4" CENTERLOCK	2
24	29917-12	WELDMENT, 8" ROTARY SCREEN BASE STRAP	1
25	15055	NUT, HST SPINDLE CASTLE	1
26	15068	PIN, 5/32 X 1-1/4 COTTER	1
27	18998-00	BEARING, 3/4" ROUND INSERT	2
28	36008-00	FLANGETTE, 47MM 2 HOLE	4
29	29919-12	WELDMENT, PIVOT	1
30	23161	WELDMENT, SCREEN/BLADE	1
31	15367	BOLT, 5/16 X 3/4 CRG	4
32	15351	NUT, 5/16 SERR FLANGE	4
33	15053	NUT, 1/4 SERR FLANGE	4
34	15001	BOLT, 1/4 X 3/4 HEX HD	4
35	29921-12	WELDMENT, 8" FAN SCREEN CLEANER	1
36	23163	WELDMENT, SCREEN CAP	1
37	25592-12	WRAP, ROTARY SCREEN	1
38	15095	SCREW, NO. 14 X 1/2" TAPING HWH ZP	3



GEARBOX (REPLACEMENT PARTS) (22323)			
ITEM	PART NUMBER	DESCRIPTION	QTY
1	16807	66 GEAR, SP BEV LH 19T	1
2	NPN	66 GEAR, SP BEV RH 29T	1
3	NPN	11 NUT, LOCK 3/4" NF	1
4	NPN	66 SHIM, .002 RED	2
5	NPN	66 SHIM, .005 BLUE	2
6	NPN	SPEC. HOUSING, SUB-ASSEMBLY	1
7	NPN	SPEC. HOUSING, PINION	1
8	NPN	SPEC. CAP, OPEN	2
9	NPN	SPEC. CAP, CLOSED	2
10	16821	SPEC. SLEEVE, INPUT	1
11	16820	SPEC. SHAFT, OUTPUT PINION	1
12	NPN	SPEC. GEAR INTG HEL LH 14T	1
13	NPN	SPEC. GEAR, HEL RH 81T	1
14	NPN	SPEC. SPACER	1
15	NPN	SPEC. SHIM, .002 RED	4
16	NPN	SPEC. SHIM, .005 BLUE	4
17	NPN	SPEC. SHIM, .002 RED	4
18	NPN	SPEC. SHIM, .005 BLUE	4
19	16815	BEARING, BALL 206NPP OR EQUIVALENT	2
20	0201-0077-00	BEARING, 2.328 X .465 CUP	2
21	16817	BEARING, CUP 27620 OR EQUIVALENT	2
22	0201-0078-00	BEARING, 1.250 X .660 CONE	2
23	16819	BEARING, CONE 27687 OR EQUIVALENT	2
24	NPN	SCREW, 3/8" X 1" NC HHCS GR5	4
25	NPN	SCREW, 5/16" X 1" NC HHCS GR5	20
26	NPN	SCREW, 3/8" X 1-1/4" NC HHCS GR5	8
27	NPN	WASHER, 3/4" X 1-1/2" X 1/8"	1
28	NPN	WASHER, 1-17/64" X 1-3/4" X 1/8"	2
29	NPN	NUT, 3/8" NC HEX	8
30	NPN	KEY, 1/4" SQUARE X 15/16" P&W	1
31	NPN	KEY, 3/4" SQUARE X 1-1/2" SQUARE END	1
32	NPN	KEY, 1/4" X 1" WOODRUFF	1
33	16814	RING, RETAINING 5160-118	1
34	NPN	RING, BEVELED RETAINING N5002-244	1
35	NPN	OIL, MOBILUBE SHC 75W-90	40
36	NPN	PLATE, NAME, CRARY	1
37	NPN	PAINT, FLAT BLACK	5.120
38	NPN	PLUG, PIPE SOCKET 1/4 NPT	2
39	NPN	PLUG, PIPE 1/2" O-RING BOSS	3
40	12904-00	PLUG, 1/8-27 VENTED PLUG	1
41	16625	SEAL, SHAFT	1
42	16624	SEAL, OIL	2
43	NPN	O-RING, -044	1
44	NPN	O-RING, -158	2
45	NPN	O-RING, -138	2
46	NPN	SCREW, 5/16" X 3/4" NC HHCS GR5	1
47	NPN	TAG, LUBRICATION	1
	16125	GEAROX SEAL AND SHIM KIT (INCLUDES ITEMS 4, 5, 15, 16, 17, 18, 41, 42, 43, 44 & 45)	1
	25318	GEARBOX, REBUILT (22323/7.27:1) (NOT SHOWN)	1

1



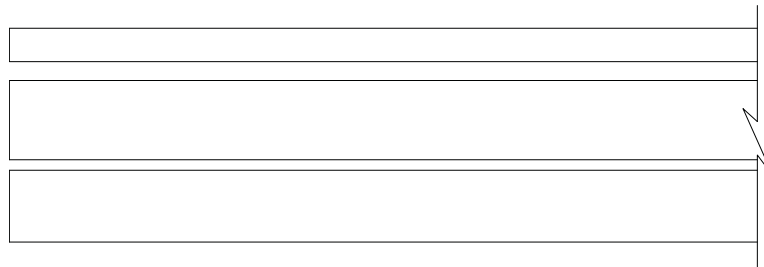
2



3



4



5



ITEM #	PART NUMBER	DESCRIPTION	QTY
1	11001	DECAL, CAUTION	1
2	17224	DECAL CTR MANIFOLD DIRECTION	1
3	11002	DECAL, WARNING	1
4	16722	AIR REEL STRIPING	UAR
5	11012	DECAL, CRARY AIR REEL	1



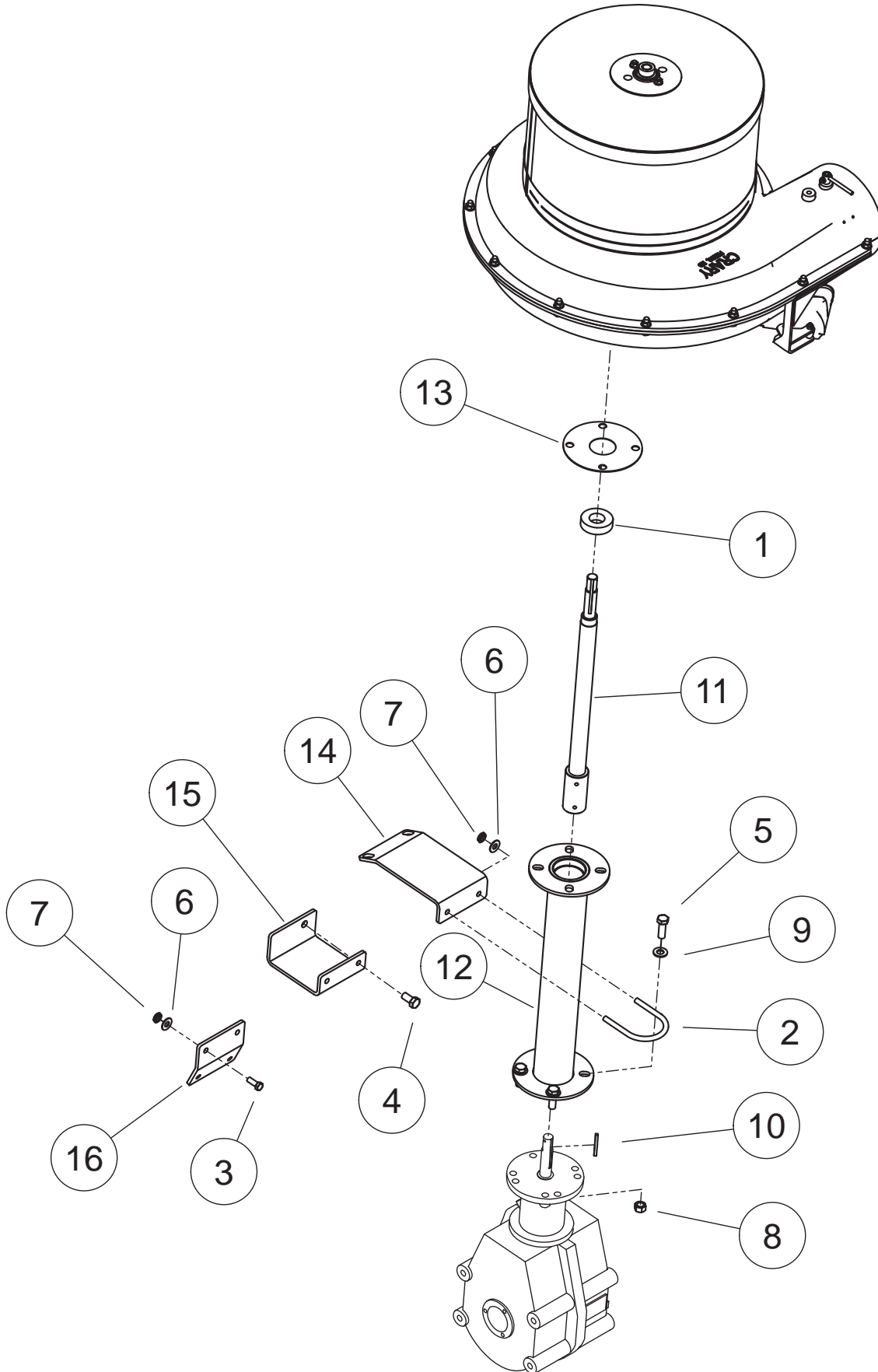


# Parts Catalog

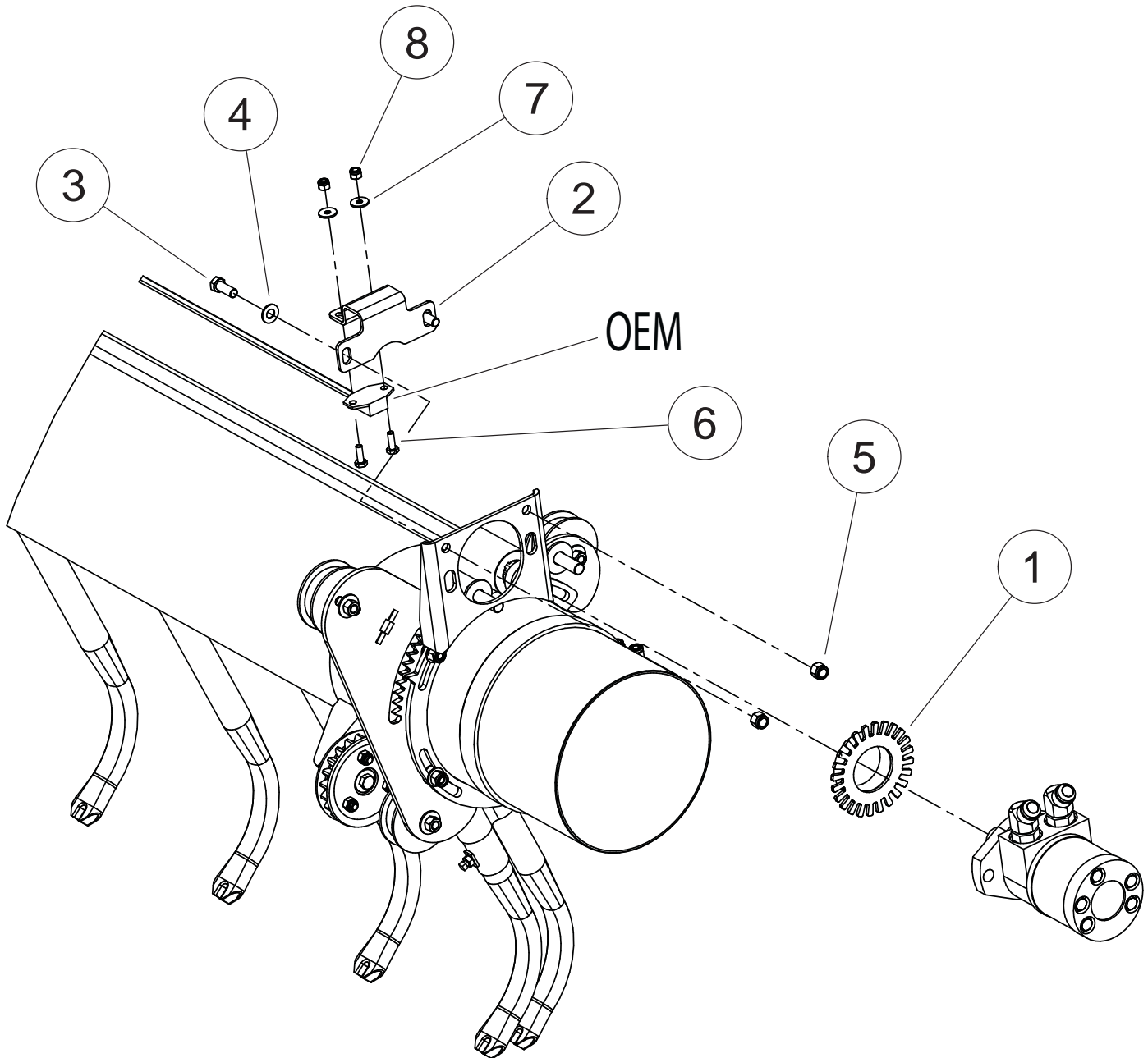
## Air Reel

---

## OPTIONS

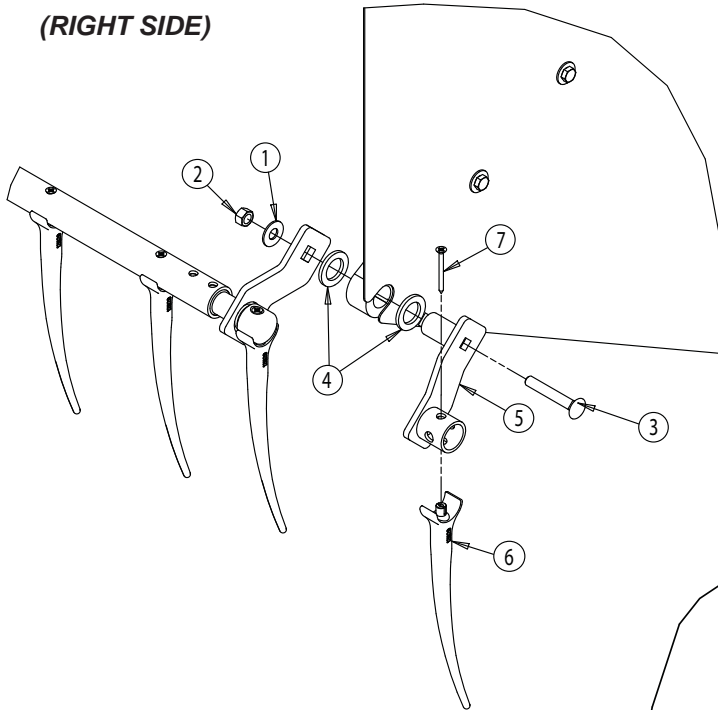


GEARBOX/FAN EXTENSION KIT (24493)			
ITEM	PART NUMBER	DESCRIPTION	QTY
1	10218	30 MM BEARING	1
2	13014	U-BOLT, FAN MOUNT 3/8 X 3 X 4" ZP	1
3	15006	BOLT, 3/8" X 1" GR5 HEX CAPSCREW ZP	2
4	15012	BOLT, 1/2" X 1" GR5 HEX CAPSCREW ZP	2
5	15014	BOLT, 1/2" X 1-1/2" GR5 HEX CAPSCREW ZP	4
6	15031	WASHER, 3/8" FLAT ZP	2
7	15042	NUT, 3/8" HEX NUT NC ZP	4
8	15049	NUT, 1/2" CENTER LOCKNUT ZP	4
9	15097	WASHER, 1/2" SAE FLAT ZP	4
10	22341	KEY, 3/16" SQ X 2" PLAIN	1
11	24642	SHAFT/COUPLER WELDMENT	1
12	24495-12	HUB, MACHINED EXTENSION	1
13	24510-12	PLATE, BEARING RETAINER	1
14	24638-12	BRACKET, EXTENSION SUPPORT - CASE IH (SHORT)	1
	24639-12	BRACKET, EXTENSION SUPPORT - CASE IH (LONG)	1
15	24640-12	BRACKET, EXTENSION SUPPORT - JD/NH	1
16	24641-12	BRACKET, EXTENSION SUPPORT - GLEANER	1

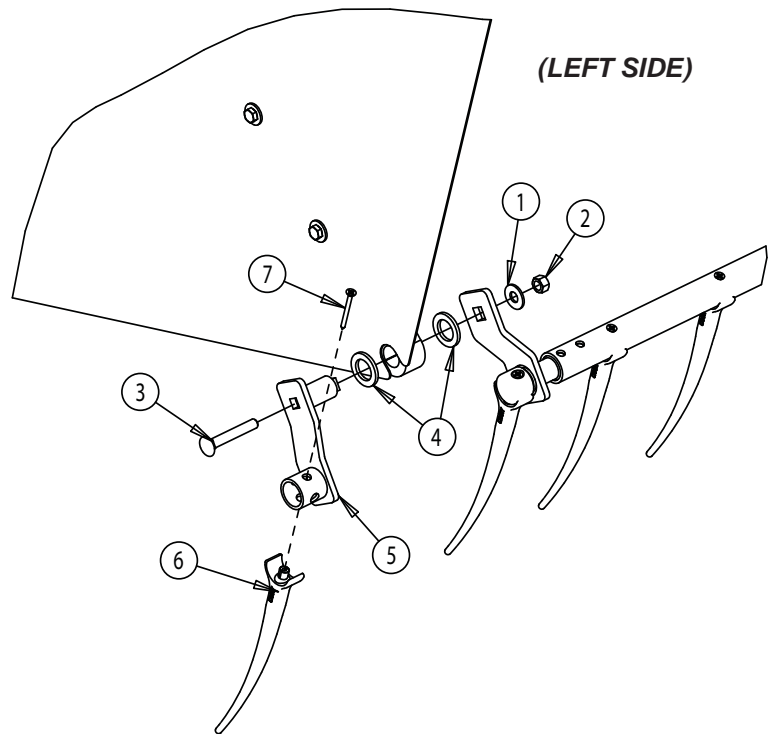


KIT, AGCO SPEED SENSOR GEAR (26202)			
ITEM	PART NUMBER	DESCRIPTION	QTY
1	26130-12	WELDMENT, SENSOR GEAR	1
2	26131-12	BRACKET, SENSOR MOUNT	1
3	15006	BOLT, 3/8 X 1 HEX HD GR5 ZP	2
4	15260	WASHER, 3/8" SAE FLAT	2
5	15388	NUT, 3/8" NE NYLOCK ZP	2
6	15001	BOLT, 1/4 X 3/4 GR5 HEX HD ZP	2
7	15030	WASHER, 1/4" FLAT ZP	2
8	15355	NUT, 1/4" NE NYLOCK ZP	2
	26201-00	INSTRUCTIONS, AGCO SPEED SENSOR KIT (NOT SHOWN)	1

(RIGHT SIDE)

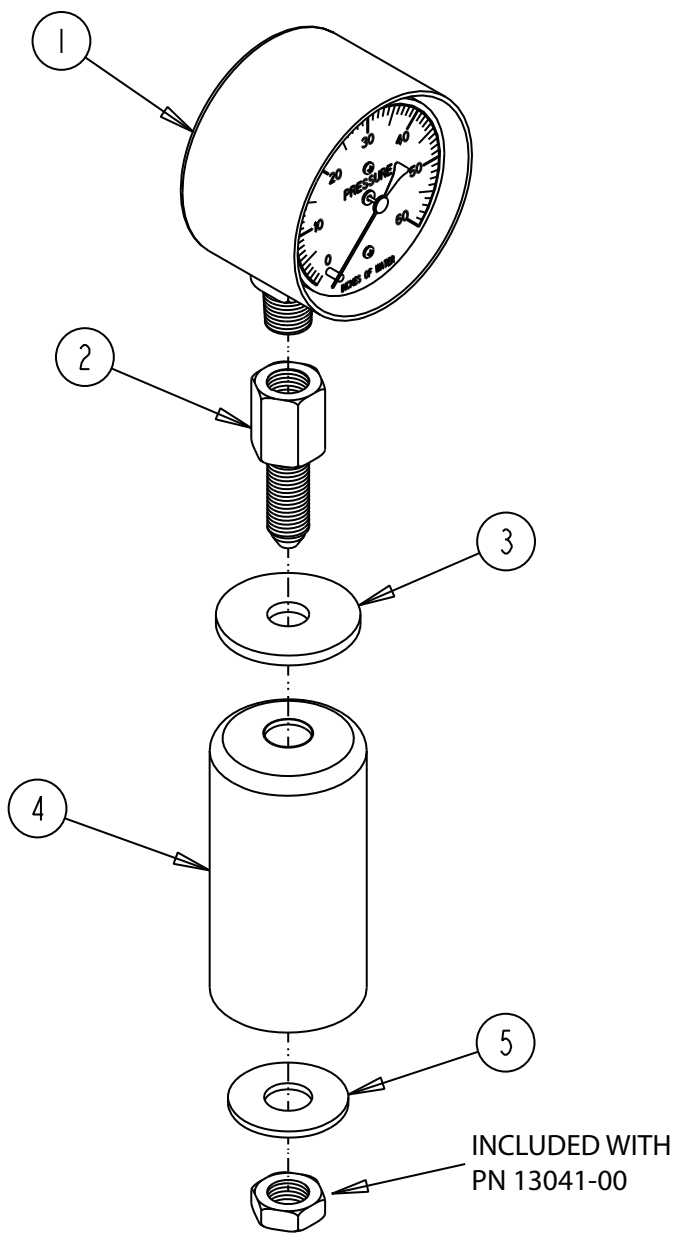


(LEFT SIDE)



## AUXILIARY REEL TINE KIT (25605)

ITEM	PART NUMBER	DESCRIPTION	QTY
1	15031	WASHER, 3/8" FLAT ZP	2
2	15047	NUT, 3/8 CENTER LOCKNUT ZP	2
3	15115	BOLT, CRG 3/8 X 2-1/2" GR5 NC SP	2
4	15302	STL MCH BSH, 7/8 ID NAR-RIM 10GA	4
	25602-00	RH AUX. REEL TINE ASSEMBLY (INCLUDES ITEMS 5-7)	1
5	25601-12	PIVOT STRAP/TUBE WELDMENT	1
6	12529	TINE, PLASTIC REEL	1
7	15597	SCREW, 12-14 X 2" FLAT HD, THD. FORM	1
	25603-00	LH AUX. REEL TINE ASSEMBLY (INCLUDES ITEMS 5-7)	1
5	25601-12	PIVOT STRAP/TUBE WELDMENT	1
6	12529	TINE, PLASTIC REEL	1
7	15597	SCREW, 12-14 X 2" FLAT HD, THD. FORM	1



ASSEMBLY, STATIC PRESSURE GAGE (53094-00)			
ITEM	PART NUMBER	DESCRIPTION	QTY
1	36195-00	GAGE, LOW PRESSURE AIR	1
2	13041-00	ADAPTOR, -4FMNPT/-4MJIC BULKHEAD	1
3	0937-0013-00	WASHER, .438 X 1.500 X .125	1
4	53093-00	GRIP, ROUND VINYL (W/HOLE)	1
5	15032	WASHER, 7/16 FLAT	1



# Parts Catalog Air Reel

---

## PARTS INDEX

Part #	Page(s)	Part #	Page(s)	Part #	Page(s)
0101-0100-00	25, 27	15055	47, 49	17059	39, 41, 43
0103-0711-00	12, 13	15057	3, 5, 7, 11, 25, 27, 29, 39, 41, 43	17060	39, 41, 43
0201-0077-00	51	15068	47, 49	17224	3, 5, 7, 52
0201-0078-00	51	15070	45	17313	9
0313-0569-00	27	15076	47, 49	17404	10, 23
0883-0120-00	45	15086	25, 29	17406	3, 5, 7
0937-0013-00	58	15087	47, 49	17407	3, 5, 7
7022	49	15092	25, 27, 29	17437	30
10218	55	15095	47, 49	17444	3, 5, 7
11001	3, 5, 7, 52	15097	27, 35, 37, 55	17629	12, 13
11002	3, 5, 7, 52	15098	47, 49	17634	10
11012	3, 5, 7, 52	15099	47, 49	17669	9
12050	21	15115	57	17670	9
12146	30	15129	47	17703	3, 5, 7, 9
12167	31	15140	10	17777	30
12209	45	15154	3, 5, 7	17843	25, 27, 29
12210	45	15174	25, 27, 29	17849	31
12211	45	15176	3, 5, 7, 9	17850	31
12215	45	15178	10, 15, 17	18048-00	31
12218	45	15219	23, 30, 45	18998-00	49
12220	45	15238	47	21193	47, 49
12223	45	15250	12, 13, 23, 35, 37, 39, 41, 43	21194	47, 49
12457	33	15256	45	21240	39
12491	21	15260	11, 56	21241	43
12528	10, 23	15282	10, 15, 17, 33	21444	47, 49
12529	19, 57	15300	23	21445	47, 49
12904-00	51	15302	57	21509	10, 23
13014	55	15342	47, 49	21512	30
13041-00	58	15351	30, 49	21520	21
13460-00	47, 49	15355	56	21550	10, 23
13768-00	3, 5, 7	15356	3, 5, 7, 9, 10, 21, 23, 45	21588	12, 13
13901	31	15364	47, 49	21797	12, 13
13914-00	45	15367	49	21976	23
14022-00	5, 7, 21	15388	3, 5, 7, 25, 27, 56	22153	9
14056-00	47, 49	15396	10	22164	9
14061-00	45	15397	47, 49	22179	3
14062-00	45	15402	35, 37, 39, 41, 43	22181	5, 7
14714-00	45	15403	23	22183	5
14720-00	45	15436	3, 5, 7, 9, 21	22184	3, 5
14721-00	45	15498	33, 35, 37, 39, 41, 43	22185	3, 7
14722-00	45	15552	47, 49	22187	3
14728-00	45	15562	21	22188	3
14729-00	45	15575	45	22189	5
14730-00	45	15597	19, 57	22191	5
14731-00	45	15612	33	22193	5
14732-00	45	15647	45	22248	25, 29
14733-00	45	15737-00	3, 5, 7	22257	29
14734-00	45	15747-00	45	22259	29
14735-00	45	15748-00	45	22260	29
14736-00	45	15749-00	45	22323	47, 49, 51
14795-00	45	15754-00	23	22341	55
15001	47, 49, 56	16067	21	22346	9, 10
15003	35, 37, 39, 41, 43	16091	30	22347	21, 23
15006	35, 37, 39, 41, 43, 55, 56	16092	30	22364	3, 5, 7
15008	9	16125	51	22365	3, 5, 7
15009	25, 29	16449	47	22396	3
15012	33, 55	16516	21	22397	3
15013	35, 37	16624	51	22398	5
15014	21, 47, 49, 55	16625	51	22400	5
15030	10, 23, 56	16722	3, 5, 7, 52	22402	5
15031	3, 5, 7, 9, 12, 13, 35, 37, 39, 41, 43, 55, 57	16807	51	22405	9
15032	58	16814	51	22479	25, 27, 29
15034	21, 33	16815	51	22489	21
15042	55	16817	51	22634	33
15047	9, 11, 12, 13, 29, 57	16819	51	22635	33
15049	21, 29, 33, 47, 49, 55	16820	51	22655	47, 49
15051	35, 37, 39, 41, 43, 47, 49	16821	51	22676	33
15053	47, 49	16934	45	22696	33
		16935	45	22757	47, 49



Part #	Page(s)	Part #	Page(s)	Part #	Page(s)
22809.....	25, 27, 29	26052-00 .....	41	53586-00 .....	15, 17
22818.....	29	26053-00 .....	43	53587-00 .....	15, 17
22819.....	29	26130-12 .....	56	53593.....	17
23141.....	41	26131-12 .....	56	53594.....	17
23152.....	47	26201-00 .....	56	53595.....	17
23155.....	47	26202.....	56	53596.....	17
23158.....	47	26990-00 .....	7	53626-12 .....	9
23161.....	47, 49	27130-12 .....	7		
23163.....	47, 49	27134-00 .....	7		
23501.....	25, 27, 29	27138-00 .....	7		
23633.....	25, 27	27139-00 .....	7		
23634.....	25, 27	27175-00 .....	15, 17		
23635.....	25, 27	27176-00 .....	7		
23636.....	25, 27	27699-00 .....	45		
23637.....	25, 27	27701-00 .....	45		
24036.....	35, 37	29717-12 .....	7		
24037-12 .....	35, 37, 39, 41, 43	29718-00 .....	7		
24038-12 .....	35, 37, 39, 41, 43	29722-12 .....	27		
24039.....	35, 37, 39, 41, 43	29770-00 .....	45		
24060.....	35	29773.....	43		
24061.....	37	29917-12 .....	49		
24062.....	43	29919-12 .....	49		
24106.....	41	29921-12 .....	49		
24168.....	39	29984.....	39		
24272-12 .....	3	36008-00 .....	49		
24273-12 .....	3	36195-00 .....	58		
24274-12 .....	5	36636-00 .....	21		
24276-12 .....	5	41158.....	25, 29		
24278-12 .....	5	43417-12 .....	19		
24318-12 .....	23	7022.....	47		
24332-12 .....	31	53093-00 .....	58		
24333.....	31	53094-00 .....	58		
24493.....	55	53410-12 .....	19		
24495-12 .....	55	53411-12 .....	19		
24510-12 .....	55	53412-12 .....	19		
24638-12 .....	55	53413-12 .....	19		
24639-12 .....	55	53416-12 .....	19		
24640-12 .....	55	53419-12 .....	19		
24641-12 .....	55	53420-12 .....	19		
24642.....	55	53421-12 .....	19		
24651-12 .....	30	53426-00 .....	15, 19		
24669-12 .....	35, 37, 39, 41, 43	53427-00 .....	15, 19		
24905-12 .....	12, 13	53428-00 .....	15, 19		
24910-12 .....	3, 5, 7	53429-00 .....	15, 19		
24919.....	11, 13	53430-00 .....	15, 19		
24920.....	11, 12	53431-00 .....	15, 19		
24975-12 .....	3, 5, 7	53432-00 .....	15, 19		
25318.....	51	53433-00 .....	15, 19		
25563-00 .....	5, 7	53437-00 .....	19		
25564-00 .....	3	53438-00 .....	15, 17		
25565-00 .....	3	53439-00 .....	15, 17, 19		
25567-00 .....	7	53440-00 .....	15, 17, 19		
25572-00 .....	5	53441-00 .....	15, 17, 19		
25573-00 .....	5	53444-00 .....	15, 19		
25575-00 .....	5	53445-00 .....	15, 19		
25577-00 .....	7	53446-00 .....	15, 19		
25578-00 .....	5	53447-00 .....	15, 19		
25579-00 .....	5	53448-00 .....	17, 19		
25592-12 .....	47, 49	53449-00 .....	17, 19		
25601-12 .....	57	53462.....	15		
25602-00 .....	57	53463.....	15		
25603-00 .....	57	53464.....	15		
25605.....	57	53465.....	15		
25638-35 .....	47, 49	53466.....	15		
25641-12 .....	47, 49	53467.....	15		
25644-12 .....	47, 49	53470.....	15		
25658-12 .....	3, 5, 7	53471.....	15		
25760-00 .....	3, 5, 7	53472.....	15		
26051-12 .....	39, 41, 43	53473.....	15		







237 12TH ST. NW • P.O. BOX 849  
WEST FARGO, ND 58078-0849  
PH: 1-800-247-7335 • FAX: (701) 282-9522  
[www.crary.com](http://www.crary.com)



Manufactured in the  
United States of America  
by Crary Industries