

CRARY **GOLD'N CUT**

CRARY CUTTING SYSTEMS OWNER'S MANUAL

CRARY

HONEYBEE

J.E. LOVE

LEXION

MACDON

NEW IDEA

OWATONNA

VERSATILE

WHITE



Bear  **CUT**

GOLD Guards

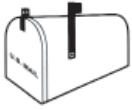
Sickle Sections

Hold Downs

ThunderBOLT Sickle



HOW TO REACH US



ADDRESS	HOURS	TELEPHONE FAX NUMBER	E-MAIL INTERNET
Crary Industries, Inc. 237 12 th St. NW West Fargo, ND 58078	Monday-Friday 8 am-5pm (CST)	For Parts and Service: Ph: 701.282.5520 • 800.247.7335 Fax: 701.282.9522	Email: service@crary.com • sales@crary.com Online: www.crary.com

DISCLAIMER

This document is based on information available at the time of its publication. While efforts have been made to be accurate, the information contained herein does not purport to cover all details or variations, nor to provide for every possible contingency in connection with installation, operation, or maintenance. Features may be described herein which are not present in all systems. Crary Industries assumes no obligation of notice to holders of this document with respect to changes subsequently made.

Crary Industries assumes no responsibility for the accuracy, completeness, sufficiency, or usefulness of the information contained herein.

SPECIFICATIONS AND DESIGN ARE SUBJECT TO CHANGE WITHOUT NOTICE.

Crary Industries is continually making improvements and developing new equipment. In doing so, we reserve the right to make changes or add improvements to our product without obligation for equipment previously sold.

Because modification to these systems may affect the performance, function, and safety of its operation, no modifications are to be made without the written permission of Crary Industries. Part replacements should be with original equipment supplied by Crary Industries.

THE CRARY INDUSTRIES STATEMENT OF PRODUCT SAFETY

As a manufacturer of specialized agricultural equipment, Crary Industries fully recognizes its responsibility of providing its customers products that perform their expected use in a reasonably safe manner. Safety considerations shall be an integral and high priority part of all engineering/design analysis and judgments involving Crary products. It is our stated policy that our products will be manufactured to comply with the safety standards specified by the American Society of Agricultural Engineers, the National Electrical Code, the Society of Automotive Engineers, and/or any other applicable recognized standards at the time manufactured. However, this statement should not be construed to mean that our product will safeguard against a customer's own carelessness or neglect in violating common safety practices specified in each product's manual, nor will we be liable for any such act.

REPLACEMENT PARTS

Crary replacement parts are available from your Crary dealer. To obtain prompt, efficient service, please record and have the following information ready when calling the dealer.

Part Number (s) : _____

Description of Product: _____

Date of Purchase: _____

Where Purchased: _____

Type of machine it will be used on: _____

Dear Valued Customer

Thank you for purchasing a Gold'N Cut system or other accessories. This product has been designed and tested to offer years of dependable service, if installed and maintained correctly. Please take time to completely read this Owner's manual, paying close attention to the portions regarding safety.

Crary's **Gold'N Cut** combines the field proven features of the **GOLD Guards**, **ThunderBOLT** sickle, **BearCUT** or **KingKut** sections and **Spring Loaded Hold Downs** for cleaner, faster and more trouble-free cutting performance. It is available for cutting systems measuring 5 to 36 ft. and fits most combines, windrowers, and hay machines. Wear Plates, Shims and Mounting Hardware are also included for assembly.

BEARCUT & KINGKUT SECTIONS

BearCUT sections incorporate larger coined serrations and heavier, high strength, heat treated material to reduce breakage and wear two to four times longer than regular sections. Coined serrations are stamped into the metal before treating enabling a revolutionary wear pattern that reshapes and re-sharpens the sections.

KingKut sections have a 10% - 26% reduced weight from other section designs. The **KingKut** section also provides 33% - 77% more feeding area than other section shapes, allowing for less sickle drive wear and increased ground speeds.

GOLD GUARDS

The **GOLD Guard** is uniquely designed to double the cutting action of each full sickle stroke. The increased cutting performance

and superior design reduces plant side movement by more than half, thus decreasing shelling and shatter loss. The **GOLD Guard** allows faster ground speeds and cleaner cutting in Beans, Hay, Lentils and Wheat while decreasing normal guard and sickle breakage.

GOLD Guards fit most major flex, floating and straight combine headers, swathers, mowers, windrowers and mower conditioners.

Guards included in the **Gold'N Cut** system are the standard **GOLD Guards** (two regular points and two mini-points), Head Guards (black, two regular points and two mini-points), Center Guards (black, two regular points), Left End Guard (one regular point and one mini-point), Right End Guard (one mini-point). The Guards received is dependent on the machine type and size of the cutting system.

THUNDERBOLT

The **Thunder BOLT** sickle is an effective alternative to long, difficult, one piece sickle bars. A special overlapping design allows the knifeback to be assembled using shorter interlocking pieces. The sections used, either **BearCUT** or **KingKut**, will depend on the machine type and its application.

The **ThunderBOLT** sickle fits most major types of cutting systems. Installation is quick and easy; a sickle section with four holes is placed over four corresponding holes on the knifeback's split bar area and bolted together - allowing the overall bar strength to remain unchanged. The assembled knifeback is then bolted to the knifehead.

HOLD DOWNS

Spring Loaded Hold Downs outlast conventional hold downs by featuring replaceable wear pads, while providing a closer tolerance and quick adjustment.

Gold'N Cut Warranty

Warranted for one year from the date of sale to the original consumer purchaser. This warranty does not include breakage of sickle sections under normal use or guards sold only as parts.

This warranty applies only to parts or components which are defective and does not cover repairs necessary due to normal wear, misuse, accidents or lack of proper maintenance. Regular, routine maintenance of the unit to keep it in proper operating condition is the responsibility of the owner.

Crary Industries will warrant its AG Products for 12 months from date of purchase to the original purchaser. Our obligation under this warranty is limited to repairing or replacing, at no charge, any part that in Crary Industries judgement show a defect in material or workmanship. This warranty does not cover merchandise or component parts which, in the opinion of Crary Industries, have been subjected to negligent use, misuse, alteration, accident, or if repairs are made with parts other than those manufactured and obtainable from Crary Industries.

A COMPLETED WARRANTY CLAIM MUST BE SUBMITTED TO CRARY INDUSTRIES WITHIN 30 DAYS OF REPAIR, ALONG WITH PROOF OF PURCHASE BY ORIGINAL PURCHASER.

Parts must be returned to Crary Industries in West Fargo, ND (transportation charges pre-paid). Repair parts will be sent out UPS only (prepaid) to the repairing dealer. Crary Industries will not prepay air freight charges, which will be the responsibility of the dealer or customer, if they choose to have repair parts shipped that way. This warranty shall not be interpreted to render Crary Industries liable for injury or damages of any kind, direct, consequential or contingent to persons or property. This warranty does not extend to loss of crops, losses caused by delays or any expenses or loss for labor, supplies, rental machinery, prospective profits or for any other reason.

Except as provided by the Gold'N Cut CUSTOMER SATISFACTION GUARANTEE, there are no warranties, either express or implied, of merchantability or fitness for particular purpose intended or fitness for any other reason. This warranty cannot guarantee that existing conditions beyond the control of Crary Industries will not affect our ability to obtain materials or manufacture necessary replacement parts

Neither the dealer nor any other person has any authority to make any warranties or promises on behalf of Crary Industries or to modify the terms or limitation of this warranty in any way. Crary Industries reserves the right to make design changes, improve design or change specifications at any time without any contingent obligation to purchasers of machines or parts previously sold.

CRARY CUTTING SYSTEMS CUSTOMER SATISFACTION GUARANTEE

If a customer is unsatisfied with the Crary Cutting System's performance, the system may be returned for a full refund of the net purchase price.

- Customer must notify Crary Co. of intent to exercise the Customer Satisfaction guarantee within 7 days of first use
- Customer must discontinue use of the cutting system.
- Customer is responsible for shipping costs.
- Proof of purchase is required.



TABLE OF CONTENTS

DESCRIPTION	PAGE
SAFETY	2
GENERAL SAFETY.....	3
ASSEMBLY SAFETY.....	4
OPERATING SAFETY.....	4
MAINTENANCE SAFETY	4
STORAGE SAFETY	4
 ASSEMBLY INSTRUCTIONS.....	 5
GENERAL INFORMATION.....	5
PRE-ASSEMBLY.....	5
THUNDERBOLT - SINGLE DRIVE	6
THUNDERBOLT - DOUBLE DRIVE	7
7222 GUARDS	8
7225 GUARDS	10
7228 GUARDS	12
7228 GUARDS W/HEAD GUARDS	13
7228 GUARDS W/SINGLE POINT GUARDS	14
7228 GUARDS DOUBLE DRIVES W/CENTER AND HEAD GUARDS	16
7228 GUARDS DOUBLE DRIVES W/CENTER, HEAD AND END GUARDS	18
 PARTS LISTS	 20
CRARY AIRHEAD	20
HONEYBEE GRAINBELT HEADER	21
J.E. LOVE FLOATING CUTTERBARS.....	22
LEXION HEADERS	23
MACDON WINDROWERS & HEADERS.....	24
WHITE	24
MACDON WINDROWERS & HEADERS	26
NEW IDEA HAY MACHINES.....	51
OWATONNA HAY MACHINES.....	51
VERSATILE HAY MACHINES.....	52
 PARTS ILLUSTRATIONS	 53
GUARDS	53
BEARCUT SECTIONS.....	55
KINGKUT SECTIONS	57
HALF SECTIONS.....	58
H & S / DOUBLE POINT SECTIONS.....	59
WEAR PLATES	60
HOLD DOWNS.....	60
HOLD DOWN CLEARANCE	62
 SPECIFICATIONS.....	 64

SAFETY ALERT SYMBOL

This Safety Alert Symbol means:

**ATTENTION! BECOME ALERT!
YOUR SAFETY IS INVOLVED!**



The Safety Alert symbol identifies important safety messages on the Air Reel and in the manual. When you see this symbol, be alert to the possibility of personal injury or death. Follow the instructions in the safety message.

Why is SAFETY important to you?

3 Big Reasons

- 1. Accidents Disable and Kill**
- 2. Accidents Cost**
- 3. Accidents Can Be Avoided**

SIGNAL WORDS:

Note the use of the signal words **DANGER**, **WARNING**, **CAUTION**, **IMPORTANT** and **NOTE** with the safety messages. The appropriate signal word for each message has been selected using the following guidelines:

DANGER - Indicates an imminently hazardous situation that, if not avoided, will result in death or serious injury. This signal word is to be limited to the most extreme situations, typically for machine components that, for functional purposes, cannot be guarded.

WARNING - Indicates a potentially hazardous situation that, if not avoided, could result in death or serious injury, and includes hazards that are exposed when guards are removed. It may also be used to alert against unsafe practices.

CAUTION - Indicates a potentially hazardous situation that, if not avoided, may result in minor or moderate injury. It may also be used to alert against unsafe practices.

IMPORTANT - Instructions that must be followed to ensure proper installation/operation of equipment.

NOTE - General statements to assist the reader.

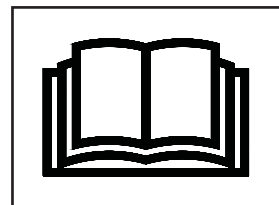
GENERAL SAFETY

YOU are responsible for the **SAFE** operation and maintenance of your Gold'N Cut system. You must ensure that you and anyone else who is going to operate, maintain or work around the Gold'N Cut system are familiar with the operating and maintenance procedures and related safety information contained in this manual. This manual will alert you to all good safety practices that should be adhered to while operating the Gold'N Cut system.

Remember, **YOU** are the key to safety. Good safety practices not only protect you but also the people around you. Make these practices a working part of your safety program. Be certain that **EVERYONE** operating this equipment is familiar with the recommended operating and maintenance procedures and follows all the safety precautions. Most accidents can be prevented. Do not risk injury or death by ignoring good safety practices.

- Gold'N Cut owners must give operating instructions to operators or employees before allowing them to operate the machine, and at least annually thereafter per OSHA (Occupational Safety and Health Administration) regulation 1928.57.
- The most important safety device on this equipment is a safe operator. It is the operator's responsibility to read and understand all safety and Operating instructions in the manual and to follow them. All accidents can be avoided.
- A person who has not read and understood all operating and safety instructions is not qualified to operate the machine. An untrained operator exposes himself and bystanders to possible serious injury or death.
- Do not modify the equipment in anyway. Unauthorized modification may impair the function and/or safety and could affect the life of the equipment.

1. Read and understand the Owner's Manual and all safety signs before operating, maintaining, adjusting or servicing the Gold'N Cut System.

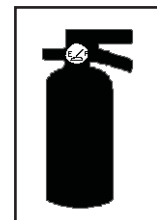


2. Only trained persons shall operate the Gold'N Cut system. An untrained operator is not qualified to operate the machine.



3. Have a first-aid kit available for use, should the need arise, and know how to use it.

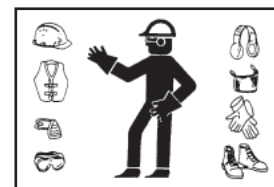
4. Provide a fire extinguisher for use in case of an accident. Store in a highly visible place.



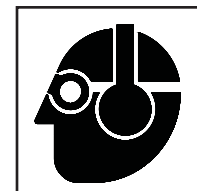
5. Do not allow children, spectators or bystanders within hazard area of machine.

6. Wear appropriate protective gear. This list includes but is not limited to:

- A hard hat
- Protective shoes with slip resistant soles
- Protective goggles
- Heavy gloves
- Hearing protection
- Respirator or filter mask



7. Wear suitable ear protection for prolonged exposure to excessive noise.



8. Place all controls in neutral or off, lower header to the ground, stop combine engine, set parking brake, chock wheels, remove ignition key and wait for all moving parts to come to a complete stop, before servicing, adjusting, repairing or unplugging.

9. Review safety related items annually with all personnel who will be operating or maintaining the Gold'N Cut system.

ASSEMBLY SAFETY

1. Assemble in an area with sufficient space to handle the largest component and access to all sides of the machine
2. Use only lifts, cranes and tools with sufficient capacity for the load.
3. When necessary, have someone assist you.
4. Do not allow spectators in the working area.

OPERATING SAFETY

1. Read and understand the Owner's Manual and all safety decals before servicing, adjusting or repairing.
2. Install and secure all guards and shields before starting or operating.
3. Keep hands, feet, hair and clothing away from all moving and/or rotating parts.
4. Place all controls in neutral or off, lower header to the ground, stop combine engine, set parking brake, chock wheels, remove ignition key and wait for all moving parts to come to a complete stop, before servicing, adjusting, repairing or unplugging.
5. Clear the area of bystanders, especially small children, before starting.
6. Review safety related items annually with all personnel who will be operating or maintaining the Gold'N Cut system.

MAINTENANCE SAFETY

1. Follow **ALL** the operating, maintenance, and safety information in this manual.
2. Support the machine with blocks or safety stands when working around it.
3. Follow good shop practices:
 - Keep service area clean and dry.
 - Be sure electrical outlets and tools are properly grounded.
 - Use adequate light for the job at hand.
 - Use only tools, jacks and hoists of sufficient capacity for the job.
4. Place all controls in neutral or off, stop combine engine, set parking brake, chock wheels, remove ignition key and wait for all moving parts to come to a complete stop, before servicing, adjusting, repairing or unplugging.
5. Before resuming work, install and secure all guards when maintenance work is completed.
6. Keep hands, feet, hair and clothing away from all moving and/or rotating parts.
7. Clear the area of bystanders, especially small children, when carrying out any maintenance and repairs or making any adjustments.
8. Keep safety signs clean. Replace any sign that is damaged or not clearly visible.
9. First-class maintenance is a prerequisite for the safest operation of your Gold'N Cut system. Maintenance should be performed with the machine stopped and locked out.



STORAGE SAFETY

1. Store the unit in an area away from human activity.
2. Do not permit children to play on or around the stored machine.
3. See the Owner's Manual that came with your combine for additional storage information.

2

Section

ASSEMBLY INSTRUCTIONS



Need help identifying parts??

Finding out is easy!

Use the Parts List and Illustration section to determine what the parts look like and how many you need!



REMEMBER
Use your packing slip for parts and quantity information. If all parts are not included, contact your Crary Dealer.

GENERAL INFORMATION

In general, the Gold'n Cut is set up exactly the same as the OEM sickle system. The Gold'n Cut system usually will replace the OEM sickle, guards, and hold downs part for part. Use your packing slip for parts quantity information and guard descriptions. If all parts are not included contact your Crary Industries dealer.

The sickle head is not included in the system, but may be ordered extra from your Crary dealer. Normally, the original sickle head is used and can be bolted to the ThunderBOLT sickle.

In general, after determining a starting point, the hold downs are placed on every other guard. The clearance of the hold downs should be between .005" and .020". The clearance should never be greater than .020. In hay, closer tolerances are required. In grain, the hold downs can be set at the upper end of the scale.

PRE-ASSEMBLY

GOLD GUARDS	HOLD DOWNS	THUNDERBOLT
<p>Clean any extra paint or built up material from the header platform before installing.</p> <p>Remove any burrs and nicks from the mounting area.</p> <p>Use a new knife assembly or a straight one (not badly worn) when aligning guards.</p> <p>Do not use a hammer or pry up with a screwdriver to tighten the wear plates against the knifeback.</p> <p>Shims should not be needed if mounting 7222 standard guards on header platforms that are 1/4" or thicker. Header platforms less than 1/4" will require shims.</p> <p>When mounting 7229 standard guards on header platforms that are 3/8" or thicker, shims should not be needed. Header platforms less than 3/8" will require shims.</p>	<p>Sand off any rust or corrosion on sickle sections which may contact the wear pads.</p> <p>Additional hold downs may be installed to provide a more uniform hold down pressure.</p> <p>When replacing hold downs, use no less than original number of OEM hold downs.</p> <p>After hold downs have been adjusted, run the system at full speed for a few minutes. Check for "hot spots" at hold down locations and adjust as needed.</p> <p>Typically hold downs are set at .020 inches from the sickle. However, in tougher cutting conditions, such as hay, the hold downs should be set closer (down to .005 inches).</p>	<p>Binding problems can result from insufficient clearance between the sickle and hold downs. Existing hold downs may need to be replaced with ones that allow more clearance for nuts.</p> <p>On double drive systems, make sure to assemble both sickles correctly. See the thunderbolt section of the manual for correct assembly instructions.</p> <p>Refer to the OEM owners manual for information on adjusting the sickles, setting the knife, and knife timing.</p>

THUNDERBOLT - SINGLE DRIVE

GENERAL INSTRUCTIONS:

1. Refer to your machine's owner's manual for removal of existing OEM sickle bar.
2. Verify all standard sections are tight on ThunderBOLT.
3. Align ThunderBOLT spliced ends, as shown in Figure 2.1.
4. Connect bars with a joint sickle section, four bolts and four nuts per joint.
5. Tighten the nuts. Do not over tighten; recommended torque is 50-60 in./lbs.
6. Check the ThunderBOLT joints. They must be straight and seated tight with the section bolts before installing onto the header/platform. **The sickle bars must be pressed together by the bolts or the tabs of the sickle will eventually shear off.**
7. Inspect the assembled sickle bar. Remove any twists or bends in the knifeback that may result in poor cutting action or excessive wear.

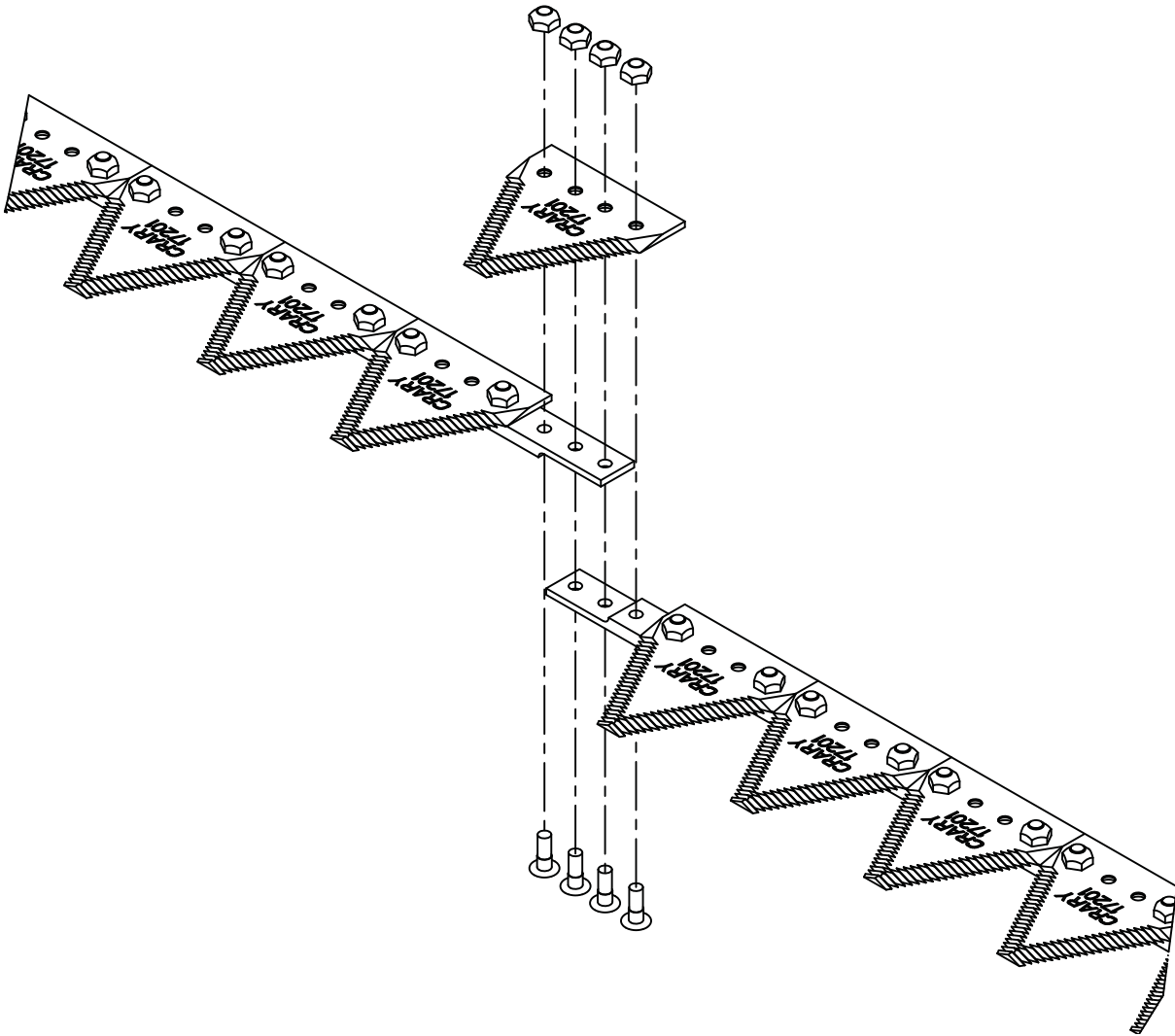


Figure 2.1 - ThunderBOLT Assembly (Single Drive).



Need help identifying parts?? Finding out is easy!

Use the Parts List and Illustration section to determine what the parts look like and how many you need!

THUNDERBOLT - DOUBLE DRIVE

GENERAL INSTRUCTIONS:

1. Refer to your machine's owners manual for removal of existing OEM sickle bar assemblies.
2. Verify all Gold'N Cut standard sections are tight.
3. Align sickle bar spliced ends.
4. On the left knife, connect the ThunderBOLT as illustrated in Figure 2.2. Four bolts and nuts are used on each joint.
5. On the right knife, two or more sickle bars may be used. One sickle bar uses the standard ThunderBOLT system as shown in Figure 2.1. The other sickle bar uses an overlap strap that is connected to the top of the section (Figure 2.2). Connect the appropriate ThunderBOLT sickle bar.
6. Tighten the nuts. Do not over tighten; recommended torque is 50-60 in./lbs.
7. Check the ThunderBOLT joints. They must be straight and seated tight with the section bolts before installing onto the header platform. **The sickle bars must be pressed together by the bolts or the tabs of the sickle bar will eventually shear off.**
8. Verify the overlap area (generally the top of the left knife assembly and the bottom of the right knife assembly—some machines may be opposite) is smooth to prevent interference. Figure 2.2 illustrates special right knife sections with countersunk holes on the bottom to allow a flush bolt head to fit underneath. The left knife's special sections have countersunk holes on the top for a flush bolt head fit on the top side.
9. Inspect the assembled sickle bar. Remove any twists or bends in the knifeback that may result in poor cutting action or excessive wear.

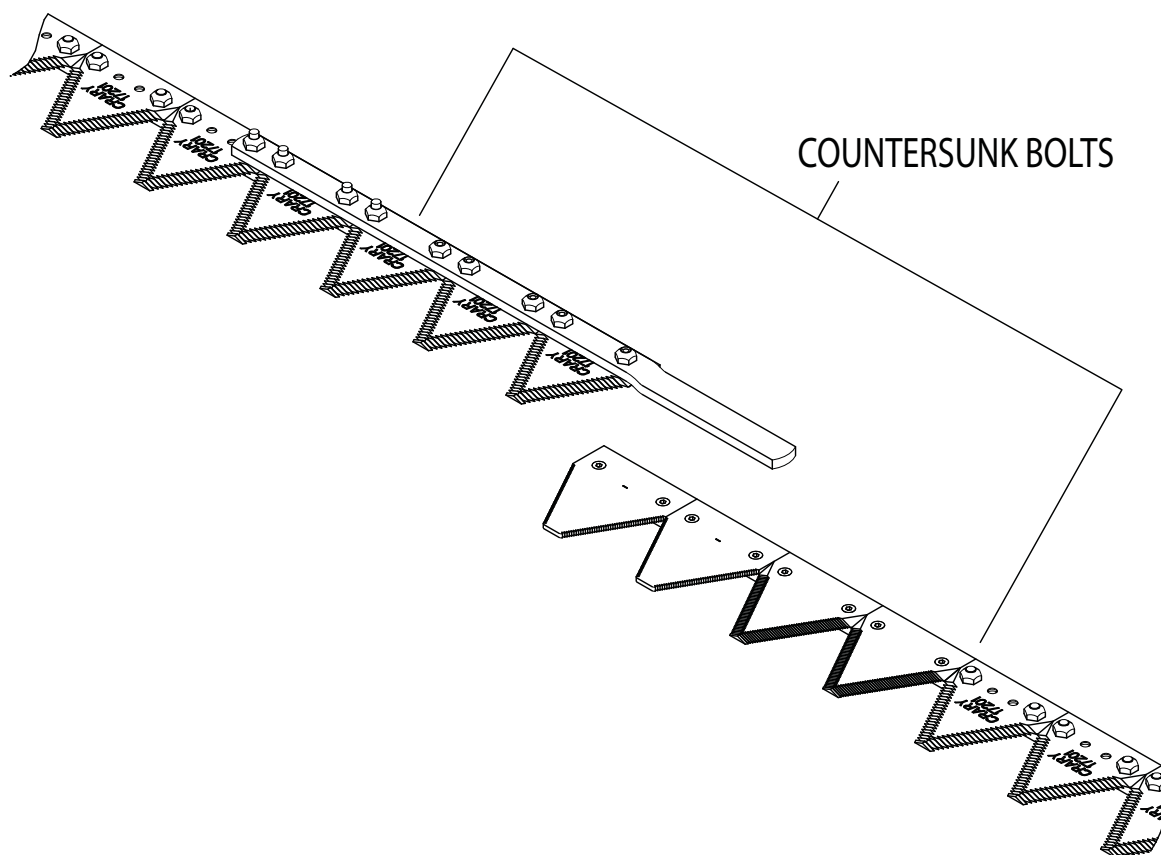


Figure 2.2 - ThunderBOLT Assembly (Double Drive).



Need help identifying parts?? Finding out is easy!

Use the Parts List and Illustration section to determine what the parts look like and how many you need!

7222 GUARDS

VERSATILE: WINDROWERS 400, 4400, 4700 (GNC PARTS WILL NOT INTERCHANGE W/OEM PARTS)

WHITE: ALL WINDROWERS (EXCLUDING 109 & 1090-SEE MACDON)

CRARY: AIR HEADER

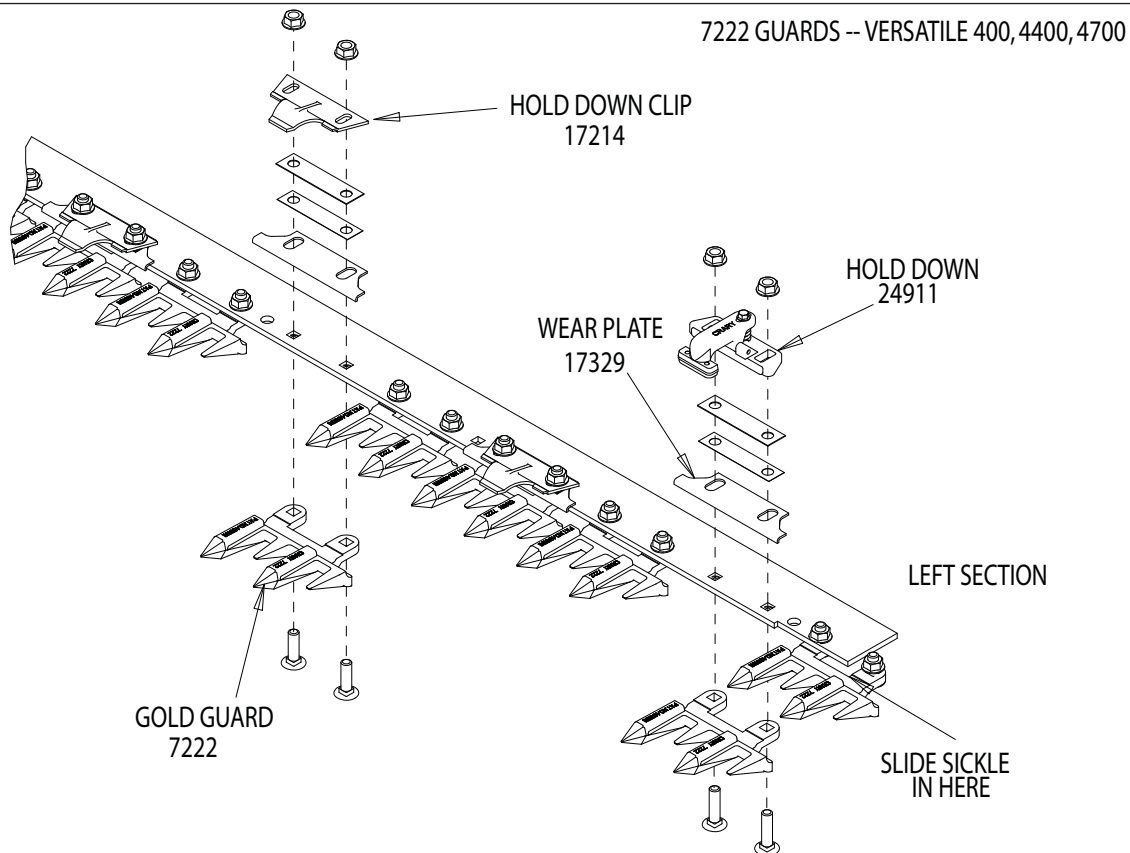
GENERAL INSTRUCTIONS:

1. Install new guards starting and working from left to right replacing the OEM guards with Crary Guards as you go. See model variations when installing triple guards.
2. Install the wear plates, with the curled edge turned downward, to alternating guards beginning with the second full guard from the sickle head. The 6" and 12" wear plates are alternated (see model variations).
3. Attach hold downs above the wear plates starting with the head hold down and continuing with regular spring loaded hold downs. Do not tighten at this time. Use shims to adjust rear wear pad clearance to .020".
4. Bolt knifeback to the knifehead. Recommended torque is 50-60 In-lbs. If necessary, bolt the ThunderBOLT together at this time. Slide the sickle into the guards from the left side.
5. Guards may need adjustment to ensure the knife rests level on the platform.
6. Adjust wear plates snugly against the back of the knifeback.
7. Tighten guard bolts and torque to 30 Ft-lbs.
8. Using the adjustment bolts, position the heads of the hold downs to obtain .020" clearance between the top of the sections and the bottom of the wear pads. In hard cutting conditions the hold downs can be adjusted down to .005".

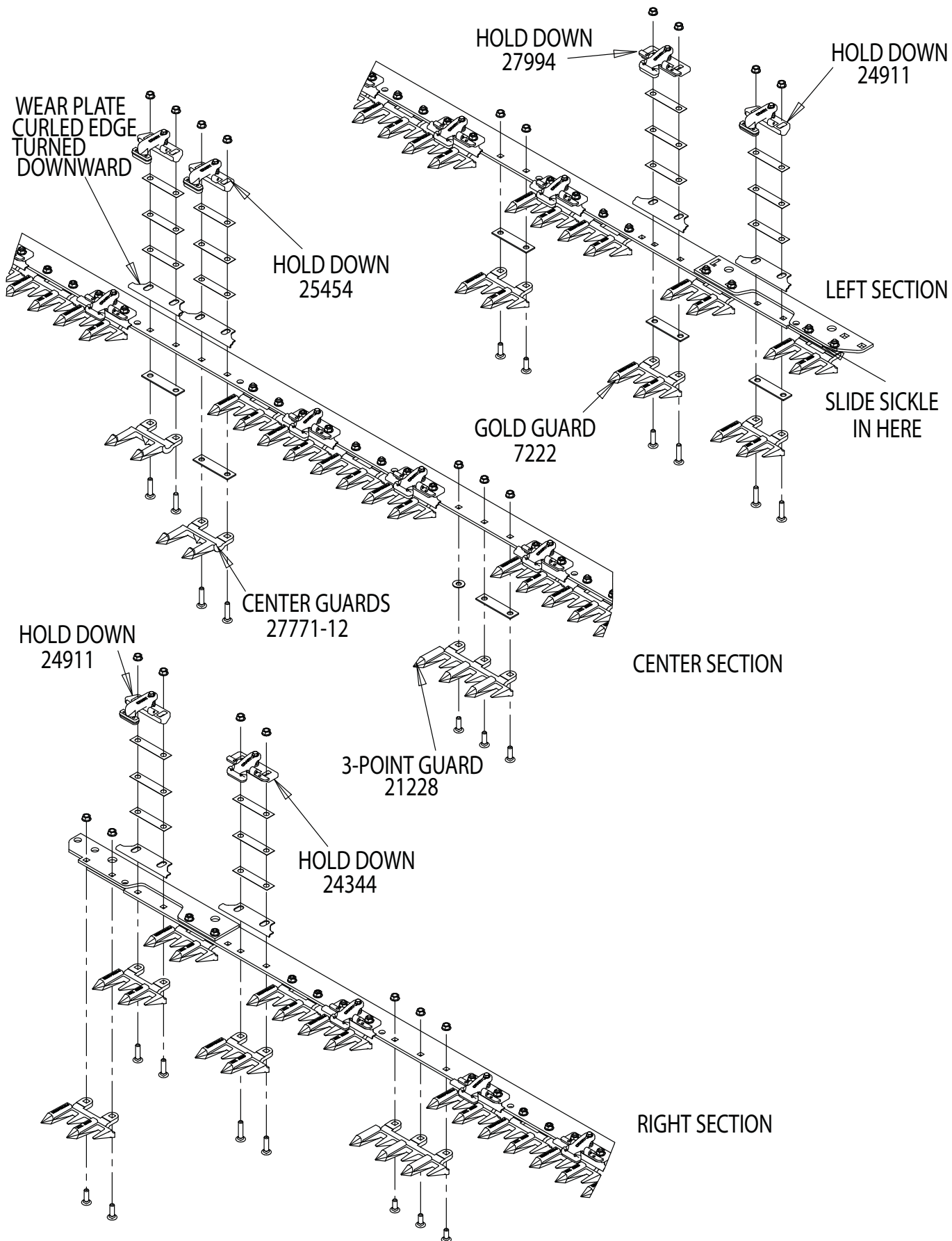
MODEL VARIATIONS:

THUNDERBOLT: None, one, or two ThunderBOLT splices will be used when mounting this Gold'N Cut system. When installing the ThunderBOLT make sure to follow the instruction in this manual. **The sickle bars must be pressed together by the bolts or the tabs of the sickle will eventually shear off.**

TRIPLE GUARD: The triple guard is used on the Crary AirHead. REPLACE THE CRARY TRIPLE GUARD IN THE SAME LOCATION. Three triple guards are used on the AirHead. **NOTES:** Shims should not be needed if mounting 7222 standard guards on platforms/headers 1/4" or thicker. Platforms/headers less than 1/4" will require shims.



7222 GUARDS -- CRARY C25, C30, C36



7225 GUARDS**J.E. LOVE: FLOATING CUTTERBARS****GENERAL INSTRUCTIONS:**

1. Install new guards starting and working from left to right replacing the OEM guards with Crary Guards as you go. Two or one (see model variations) head guards are positioned in place of the OEM head guards approximately two feet in from the left end. Also a triple guard may be used (see model variations).
2. Install the 6" wear plates with the curled edge turned upward to alternating guards beginning with the second full guard from the sickle head.
3. Attach hold downs above the wear plates starting with head hold downs and continuing with regular spring loaded hold downs.
4. Bolt guards and hold downs to the header. Do not tighten. Use shims to adjust rear wear pad clearance to .020".
5. Bolt knifeback to the knifehead. Recommended torque is 50-60 In-lbs. Bolt the ThunderBOLT together at this time (see installation instructions in this manual). Slide the sickle into the guards from the left side.
6. Guards may need adjustment to ensure the knife rests level on the platform.
7. Adjust wear plates snugly against the back of the knifeback.
8. Tighten guard bolts and torque to 52 Ft-lbs.
9. Adjust the hold downs using the adjustment bolt to achieve .020" clearance between the sections and the front pad on the hold down to prevent binding. In tough cutting conditions the hold downs can be adjusted down to .005".

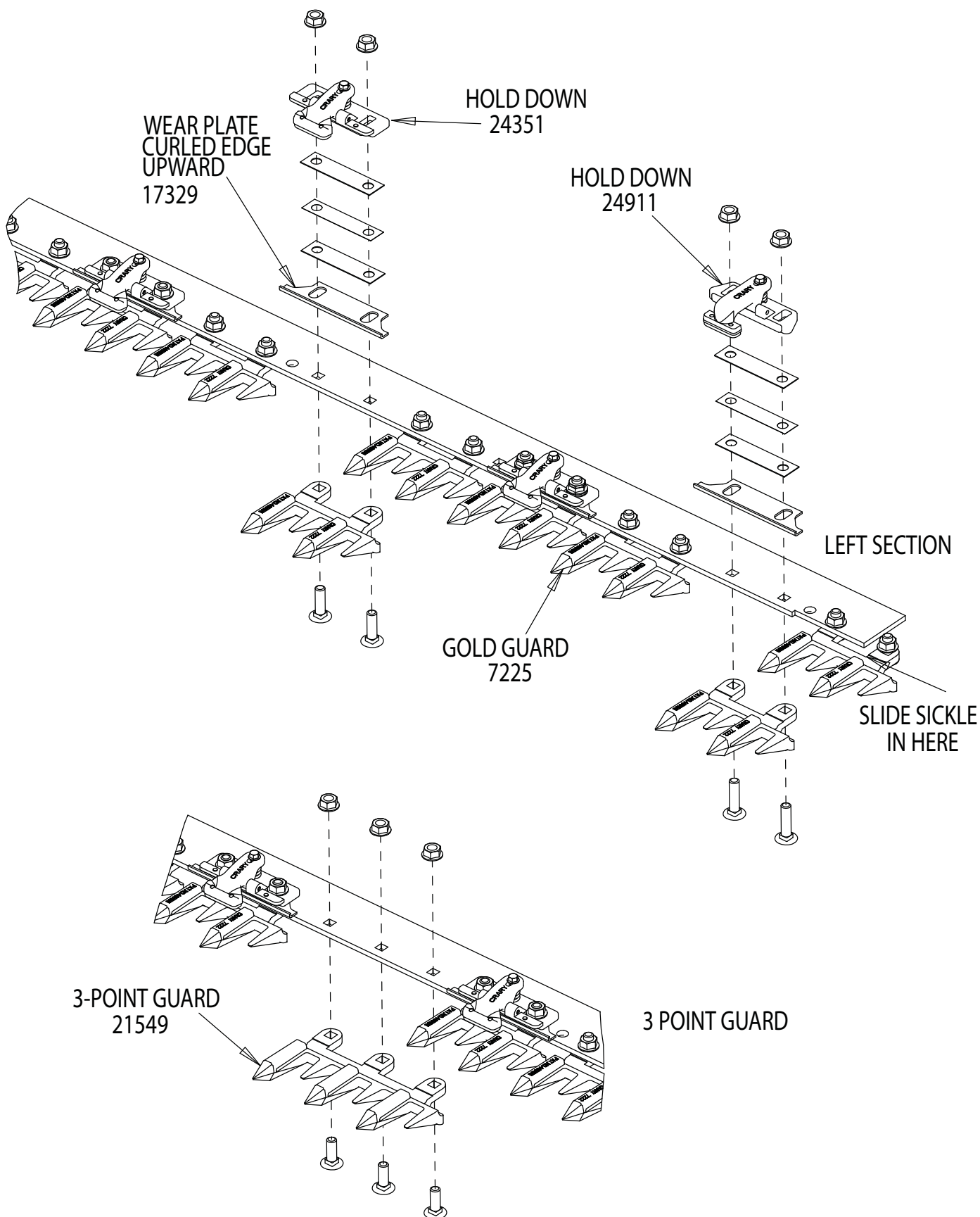
MODEL VARIATIONS:

TRIPLE GUARD: The triple guard is used on J.E LOVE systems. Remove the OEM guard and replace with the Crary guard in the same location.

HEAD GUARD: On Hart Carter systems only one head guard is used.

THUNDERBOLT: One or two ThunderBOLT splices will be used when mounting this Gold'N Cut system. When installing the ThunderBOLT make sure to follow the instructions in this manual. **The sickle bars must be pressed together by the bolts or the tabs of the sickle will eventually shear off.**

7225 GUARDS -- J.E. LOVE



7228 GUARDS

OWATONNA: 208, 216, 217, 229, 235, 260, 265, 270, 280, 282, 285, 800, 900, SWING TONGUE-GUARD BOLT SIZE MUST BE 7/16" TO USE CRARY GUARD.

GENERAL INSTRUCTIONS:

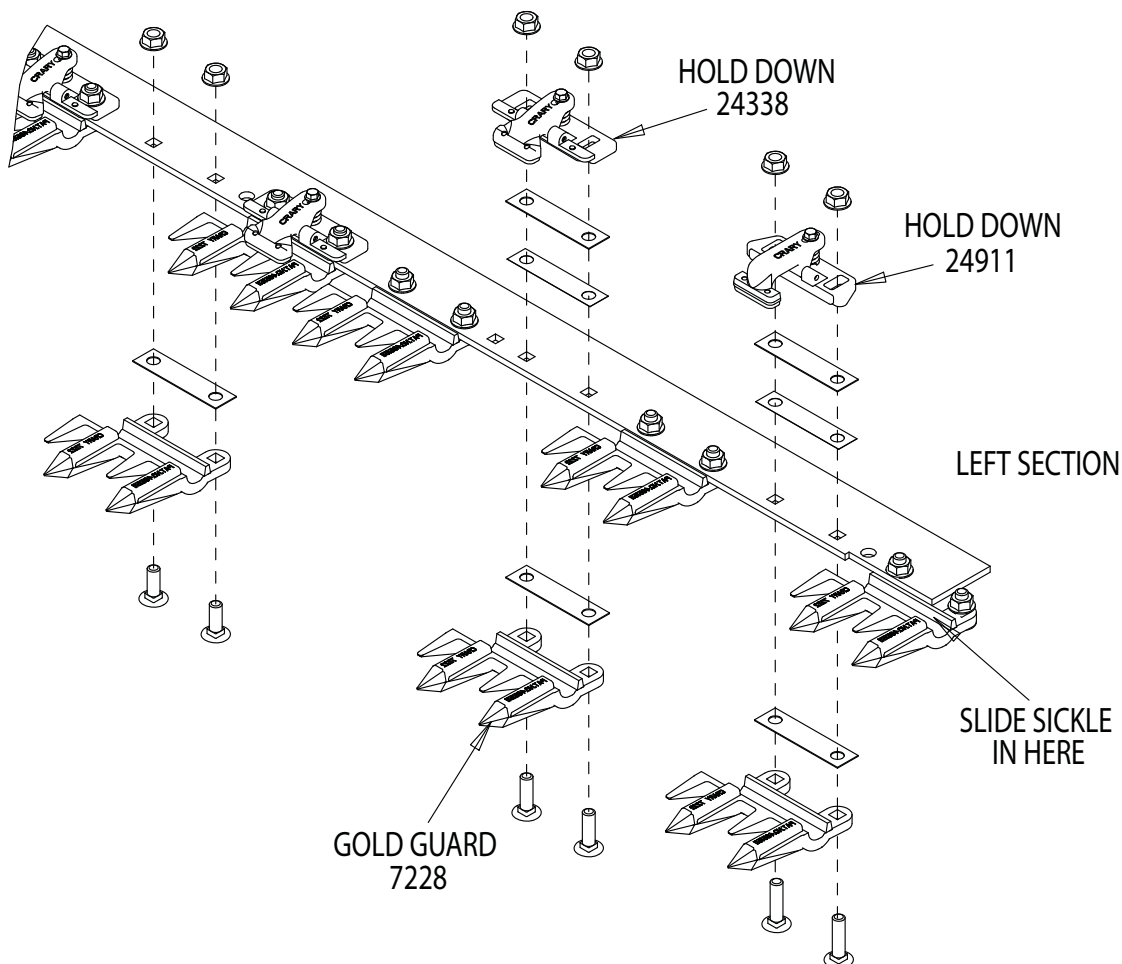
1. Install new guards starting and working from left to right replacing the OEM guards with Crary Guards as you go.
2. Position hold downs on alternating guards beginning with the second full guard from the sickle head. Start with head hold downs (1 or 2) and continue with regular spring loaded hold downs.
3. Bolt guards and hold downs to the platform. Do not tighten. Use shims to adjust rear wear pad clearance to .020".
4. Bolt knifeback to the knifehead. Connect the ThunderBOLT(s) at this time. Recommended torque is 50-60 In-lbs. Slide the Sickle into the guards from the left side.
5. Guards may need adjustment to ensure the knife rests level on the ledger surface.
6. Tighten guard bolts and torque to 52 Ft-lbs.
7. Adjust the hold downs using the adjustment bolt to achieve .020" clearance between the top of the sections and the bottom of the wear pads. In tough cutting conditions hold downs can be adjusted to .005".

MODEL VARIATIONS:

Head Area Hold Downs: One or two head area hold downs are used. Check your packing slip for details on how many of these hold downs are used on your machine.

ThunderBOLT: Up to two ThunderBOLT splices will be used when mounting this Gold'N Cut system. When installing the ThunderBOLT make sure to follow the instructions in this manual. **The sickle bars must be pressed together by the bolts or the tabs of the sickle will eventually shear off.**

7228 GUARDS -- OWATONNA



7228 GUARDS W/HEAD GUARDS

MACDON: 1000, 2000, 3000, 7000 W/AUGER HEAD SINGLE DRIVE

WHITE: 601, 6200, 6400

NEW IDEA/OWATONNA: 10, 20, 30, 40, 41, 250, 251, 252, 253, 254, 255 HAY MACHINES

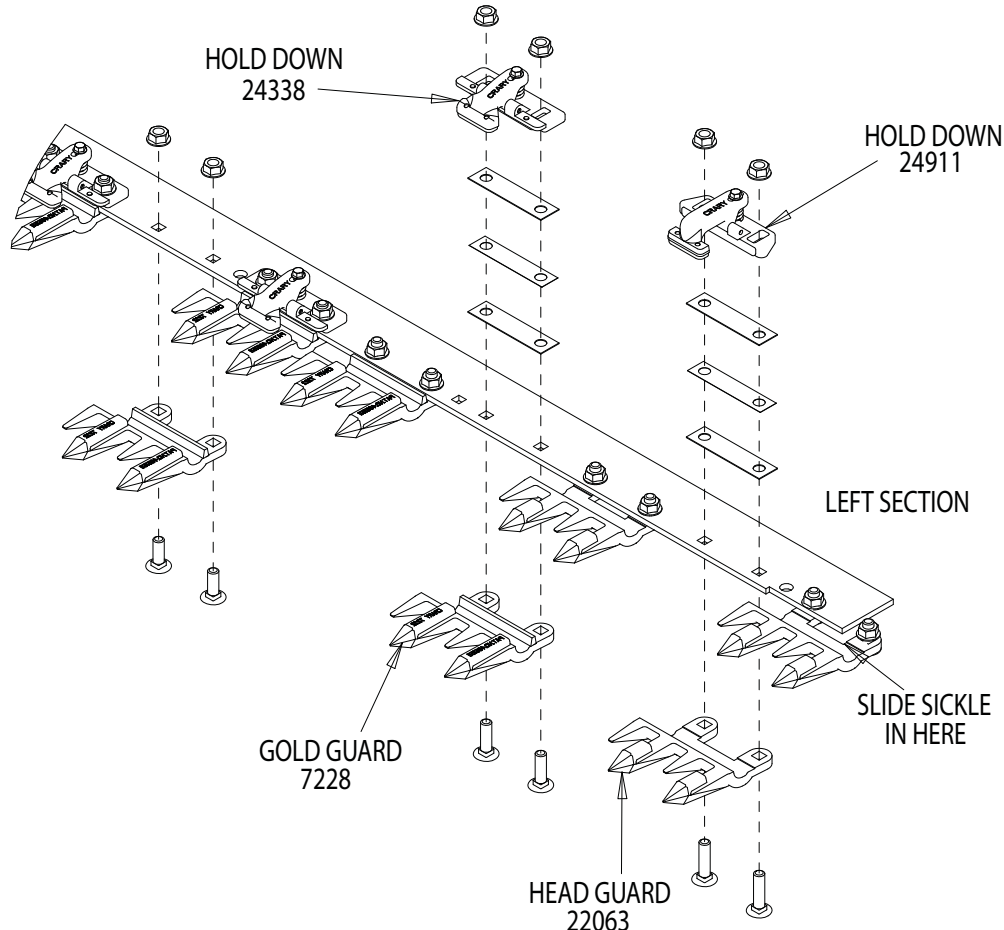
GENERAL INSTRUCTIONS:

1. Install new guards starting and working from left to right replacing the OEM guards with Crary guards as you go. Head Guards are positioned before the standard GOLD Guards.
2. Position hold downs on alternating guards beginning with the second full guard from the sickle head. Start with the head hold down and continue with regular spring loaded hold downs.
3. Bolt guards and hold downs to the platform. Do not tighten. Use shims to adjust rear wear pad clearance to .020".
4. Bolt knifeback to the knifehead. Connect the ThunderBOLT(s) at this time. Recommended torque is 50-60 In-lbs. Slide the sickle into the guards from the left side.
5. Guards may need adjustment to ensure the knife rests level on the ledger surface.
6. Tighten guard bolts and torque to 52 Ft-lbs.
7. Using the adjustment bolts, position the heads of the hold downs to obtain .020" clearance between the top of the sections and the bottom of the wear pads. In tough cutting conditions the hold downs can be set at .005".

MODEL VARIATIONS:

Head Guard: Up to three head guards are used. Check your packing slip for details on how many of these guards are used on your machine. The head guards are installed before the 7228 guards.

ThunderBOLT: Up to two ThunderBOLT splices will be used when mounting this Gold'N Cut system. When installing the ThunderBOLT make sure to follow the instructions in this manual. **The sickle bars must be pressed together by the bolts or the tabs of the sickle will eventually shear off.**



7228 GUARDS W/SINGLE POINT GUARDS

WHITE: 601, 6200, 6400

LEXION: F25, F30 FLEX HEADERS

HONEYBEE: GRAIN BELT HEADERS (NON-DOUBLE DRIVE)

GENERAL INSTRUCTIONS:

1. Remove existing guards, hold downs, strip plates and shims from the platform. Take note as to where the parts were located.
2. On a machine with a 1/4" cutterbar, reinstall the original strip plate.
3. Install new guards starting and working from left to right. Replace the OEM standard guards and single point guard with the provided single point guard and standard GOLD guards at OEM locations.
4. Position hold downs on alternating guards beginning with the second full guard from the sickle head. Start with the head hold down and continue with regular spring loaded hold downs.
5. Bolt guards and hold downs to the platform. Do not tighten. Use shims to adjust rear wear pad clearance to .020".
6. Bolt knifeback to the knifehead. Connect the ThunderBOLT(s) at this time. Recommended torque is 50-60 In-lbs. Slide the sickle into the guards from the left side.
7. Guards may need adjustment to ensure the knife rests level on the ledger surface.
8. Tighten guard bolts and torque to 52 Ft-lbs.
9. Adjust the hold downs with the adjustment bolt to achieve .020" clearance between the top of the sections and the bottom of the wear pads. In tough cutting conditions the hold downs can be set at .005".

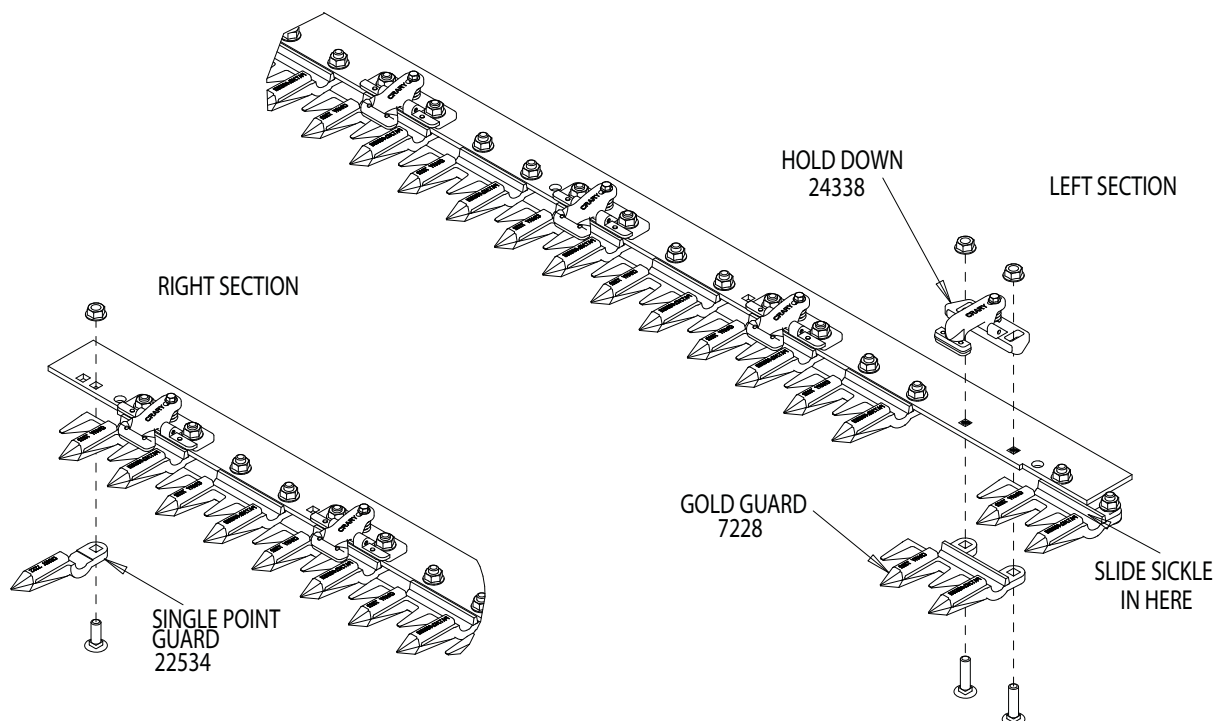
MODEL VARIATIONS:

Head Area Hold Downs: One or two head area hold downs are used. Check your packing slip for details on how many of these hold downs are used on your machine.

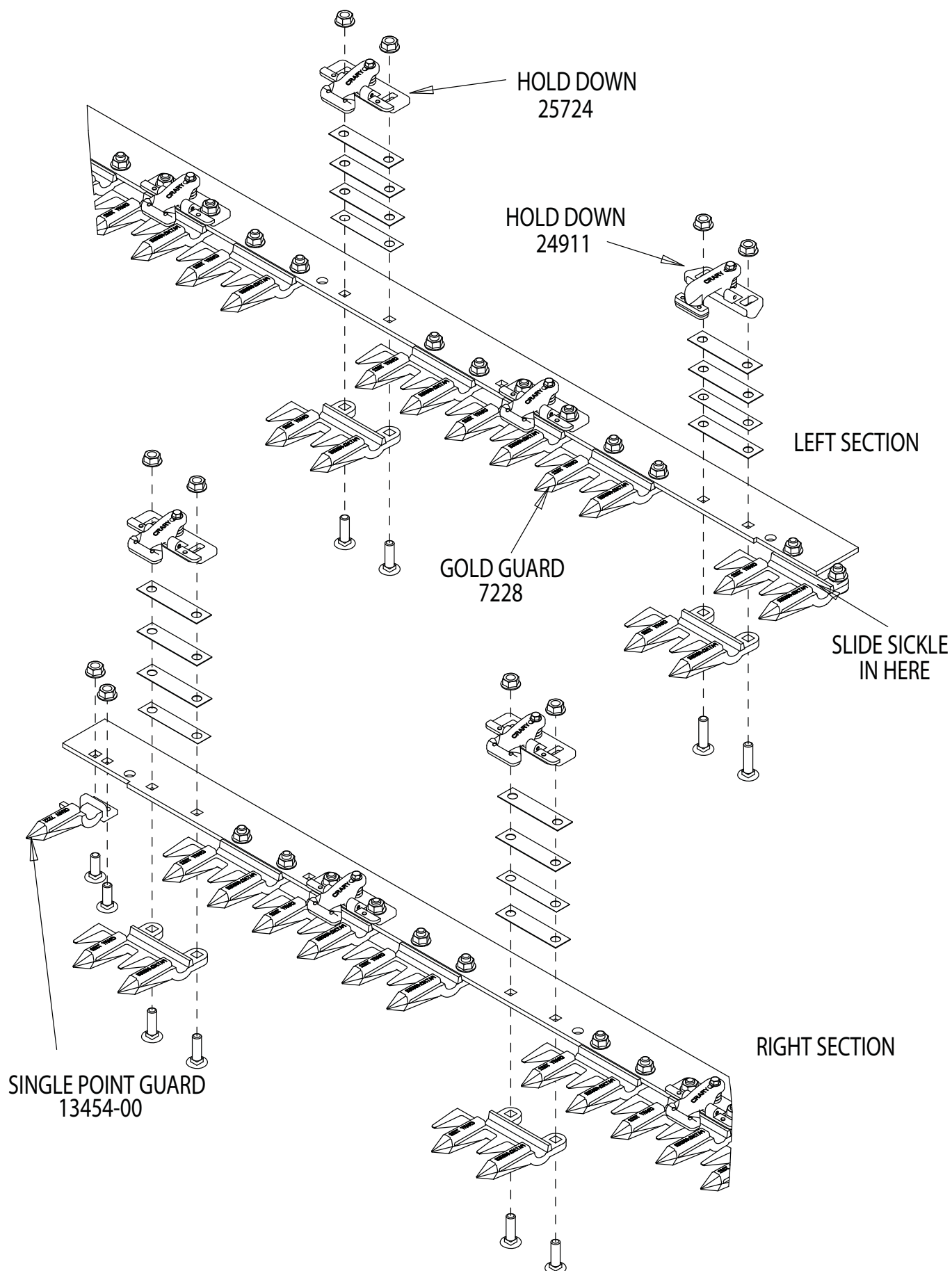
Single Point Guards: Install the Cray single point guard at the location where the OEM single point guard was removed.

ThunderBOLT: Up to two ThunderBOLT splices will be used when mounting this Gold'N Cut system. When installing the ThunderBOLT make sure to follow the instructions in this manual. **The sickle bars must be pressed together by the bolts or the tabs of the sickle will eventually shear off.**

7228 GUARDS W/SINGLE POINT GUARD -- HONEYBEE GRAINBELT HEADER



7228 GUARDS W/SINGLE POINT GUARDS -- LEXION F25, F30 FLEX HEAD



7228 GUARDS DOUBLE DRIVES W/CENTER AND HEAD GUARDS

MACDON: ALL WINDROWERS (DOUBLE DRIVES), 7000 W/910, 920, 930 AUGER HEADERS

GENERAL INSTRUCTIONS:

1. Install new guards starting and working from left to right. Replace the OEM head, standard, and center guard with the provided Crary head, Gold, and center guards at OEM locations.
2. **Use if system included High Head Area Hold Downs:** Position hold downs on alternating guards beginning with the second full guard from the sickle heads. Start with head area hold downs, continue with regular spring loaded hold downs, and use two head Area hold downs again in the overlap area and on the other end of the sickle.
3. **Use for all other systems:** Position hold downs on alternating guards beginning with the second full guard from the sickle heads. The spring loaded hold downs with the thinner wear pads are placed on the side of the upper sickle. The upper sickle is the one that is located on top of the bottom sickle at the overlap area. The hold downs with the thicker wear pads go on the side of the bottom sickle.
4. Bolt guards and hold downs to the cutterbar. Do not tighten. Use shims to adjust rear wear pad clearance to .020”.
5. Bolt knifeback to the knifehead. Connect the ThunderBOLT(s) at this time. Recommended torque is 50-60 In-lbs. Slide the sickle into the guards from the respective ends (i.e. right and left).
6. Guards may need adjustment to ensure the knife rests level on the ledger surface.
7. Tighten guard bolts and torque to 52 Ft-lbs.
8. Adjust the hold downs with the adjustment bolt to achieve .020” clearance between the top of the sections and the bottom of the wear pads. In tough cutting conditions the hold downs can be set at .005”.

MODEL VARIATIONS:

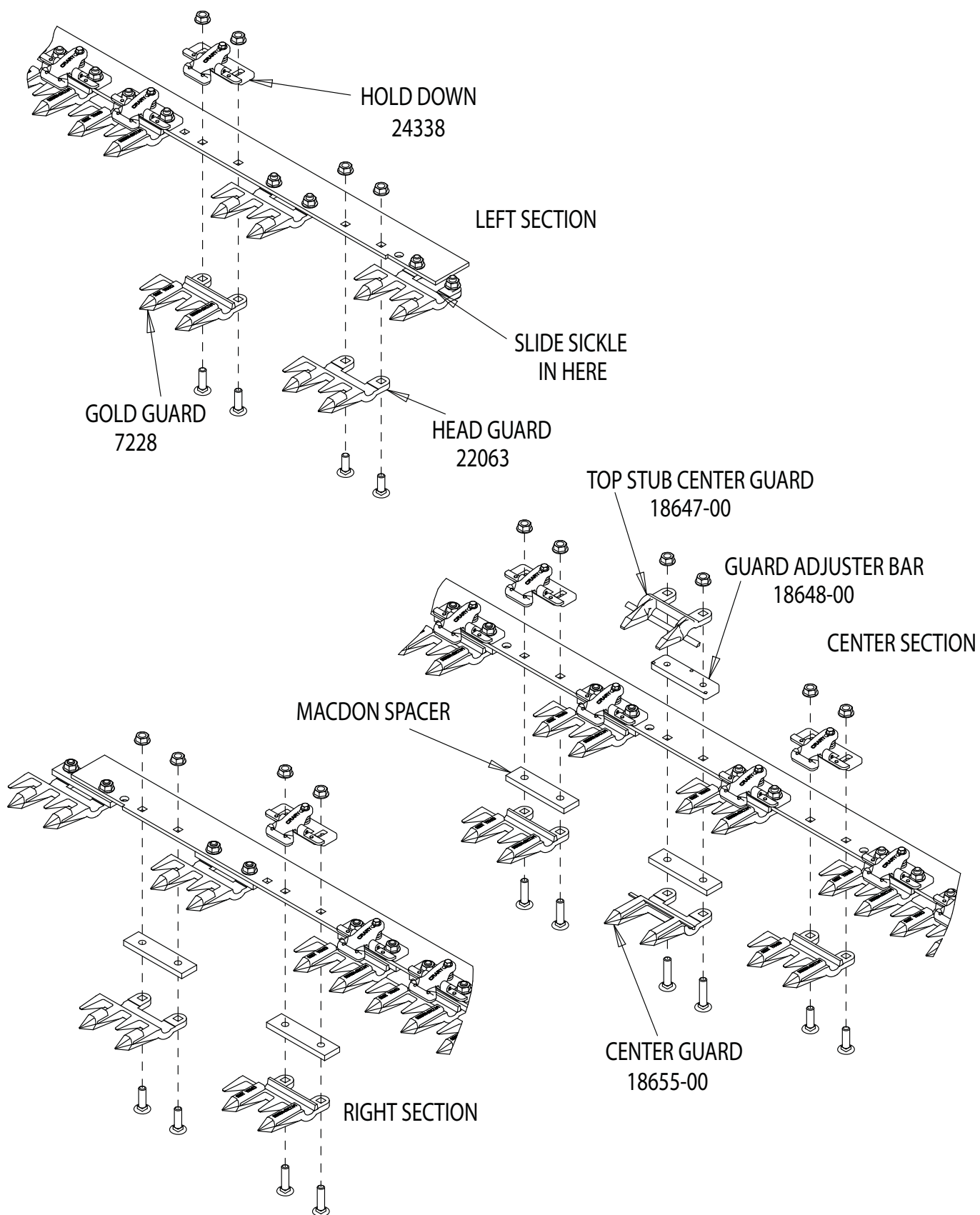
Head Guard: Two or four head guards are used. Check your packing slip for details on how many of these guards are used on your machine. The head guards are installed before the 7228 Guards.

Head Area Hold Downs: One or four head area hold downs are used. Check your packing slip for details on how many of these hold downs are used on your machine. Head area hold downs are installed before regular spring loaded hold downs at OEM locations.

Center Guards: Install the Crary center guard at the location where the OEM center guard was removed. One center guard is used.

ThunderBOLT: One or two ThunderBOLT splices will be used when mounting this Gold'N Cut system. When installing the ThunderBOLT make sure to follow the instructions in this manual. **The sickle bars must be pressed together by the bolts or the tabs of the sickle will eventually shear off.**

7228 GUARDS DOUBLE DRIVES W/CENTER AND HEAD GUARDS -- MACDON 7000 W/910, 920, 930



7228 GUARDS DOUBLE DRIVES W/CENTER, HEAD AND END GUARDS**MACDON:** WINDROWERS 7000 W/972 AUGER HEADER**GENERAL INSTRUCTIONS:**

1. Install new guards starting and working from left to right. Replace the existing OEM head guards, center guard and standard guards with the provided head guards, center guard and standard GOLD guards.
2. Position hold downs on alternating guards beginning with the second full guard from the sickle head(s). Start with head hold downs and continue with regular spring loaded hold downs. Use a high head hold down in the overlap area.
3. Bolt guards and hold downs to the header. Do not tighten. Use shims to adjust rear wear pad clearance to .020”.
4. Bolt knifeback to the knifehead. Connect the ThunderBOLT(s) at this time. Recommended torque is 50-60 In-lbs. Slide the sickle into the guards from the respective ends (i.e. right and left).
5. Guards may need adjustment to ensure the knife rests level on the ledger surface.
6. Tighten guard bolts and torque to 52 Ft-lbs.
7. Adjust the hold downs with the adjustment bolt to achieve .020” clearance between the top of the sections and the bottom of the wear pads. In tough cutting conditions the hold downs can be set at .005”.

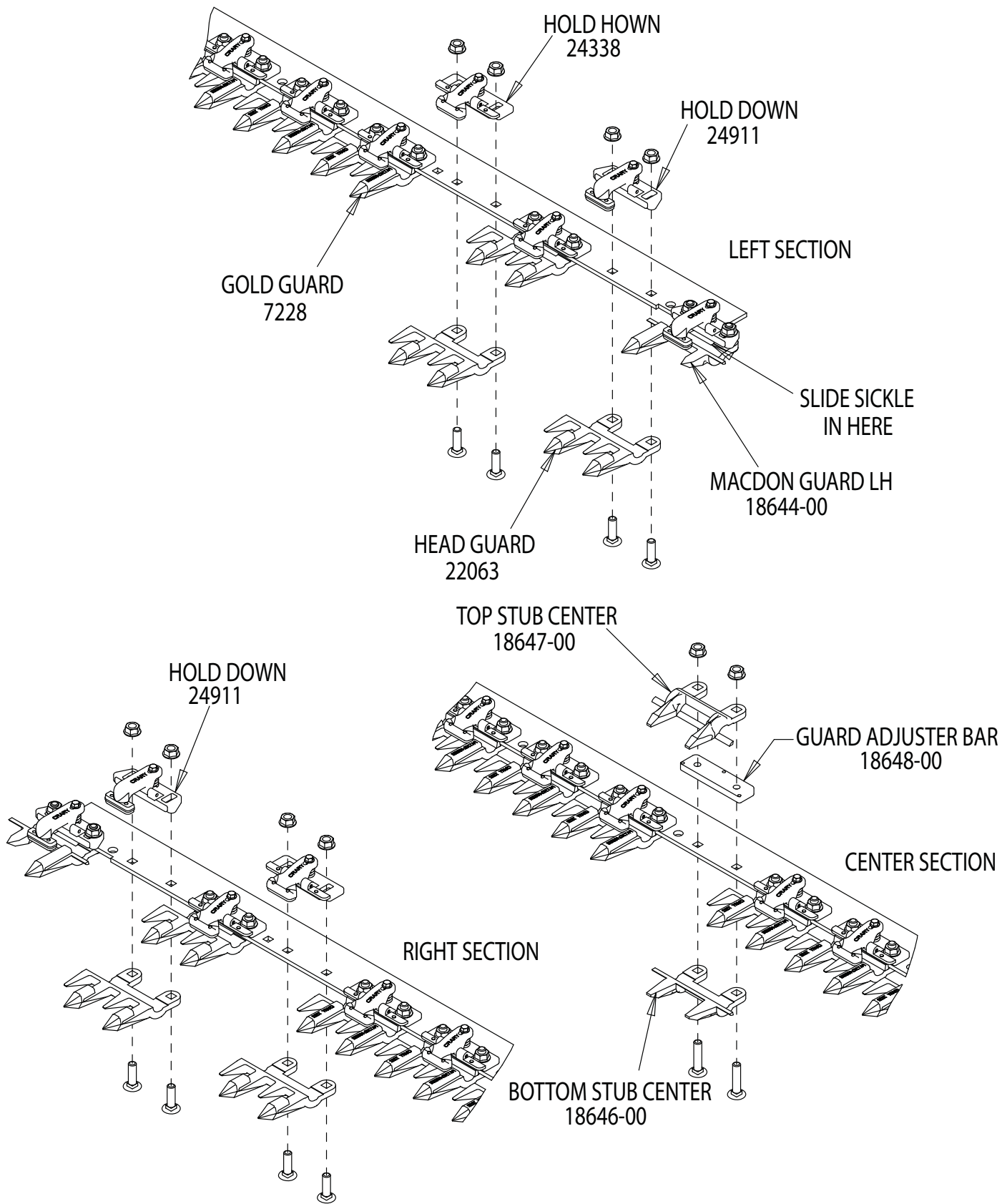
MODEL VARIATIONS:

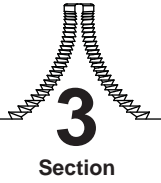
ThunderBOLT: One or two ThunderBOLT splices will be used when mounting this Gold’N Cut system. When installing the ThunderBOLT make sure to follow the instructions in this manual. **The sickle bars must be pressed together by the bolts or the tabs of the sickle will eventually shear off.**

Center Guards: Replace the Crary center guard at the location where the OEM center guard was removed. One center guard is used.

End Guard: One end guard is used. The end guard is mounted before the head guards.

7228 GUARDS DOUBLE DRIVES W/CENTER, HEAD AND END GUARDS -- MACDON 7000 W/972 AUGER HEADER





PARTS LISTS

CRARY AIRHEAD

HEADER: C25, C30, C36

DESCRIPTION		25 FT.	30 FT.	36 FT.
GOLD'N CUT COMPLETE SYSTEM (BC)		27178	27166	26448
COMPLETE SICKLE		27534	27535	
-LEFT HAND SICKLE		27654-00	27654-00	27654-00
-LEFT HAND SICKLE - RH		27836-00	27839-00	27663-00
-CENTER SICKLE		-	-	28152
-RIGHT HAND SICKLE		27655-00	27655-00	27655-00
-RIGHT HAND SICKLE - LH		27835-00	27840-00	27652-00
KINGKUT COMPLETE SYSTEM (KK)		27462	27463	27464
COMPLETE SICKLE		27536	27465	27466
-LEFT HAND SICKLE		27070-00	27070-00	27070-00
-LEFT HAND SICKLE - RH		27837-00	27841-00	27809-00
-CENTER SICKLE		-	-	27071-00
-RIGHT HAND SICKLE		27807-00	27807-00	27807-00
-RIGHT HAND SICKLE - LH		27111-00	27112-00	27808-00
PART #	DESCRIPTION	QTY	QTY	QTY
7222	GUARD, GOLD	44	54	65
21228	GUARD, 3-POINT	3	3	3
27771-12	GUARD, CENTER	2	2	2
14765	SECTION, KINGKUT (KK)	94	114	136
17201	SECTION, BEARCUT GOLD (BC)	97	117	139
24805	SECTION, HALF-RH	1	1	1
22526	SECTION, HALF-LH	1	1	1
27107-00	SECTION, KINGKUT (TOP CSK) (KK)	2	2	2
27106-00	SECTION, KINGKUT (BOTTOM CSK) (KK)	3	3	1
17424	SECTION, S. PT. GOLD (BC)	2	2	2
16009	SECTION, OVERLAP	2	2	2
27994	HOLD DOWN (SPRING LOADED)	11	13	15
24344	HOLD DOWN (SPRING LOADED)	10	12	16
24911	HOLD DOWN (SPRING LOADED HEAD)	2	2	2
25454	HOLD DOWN (SPRING LOADED HEAD)	2	3	2
17329	WEAR PLATE (6")	12	14	18
24261	OFFSET WEAR PLATE (6") (BC)	-	16	17
27642-00	OFFSET WEAR PLATE (6") (KK)	13	16	17
17428	OVERLAP STRAP	2	2	2
22523	SHIM (.010)	50	60	70
22524	SHIM (.024)	25	30	35
21592	SHIM (.105)	27	32	35
15378	BOLT, 3/8" X 1-1/4" CARRIAGE	27	31	34
15057	BOLT, 3/8" X 1" CARRIAGE	20	26	35
15058	BOLT, 3/8" X 1-1/2" CARRIAGE	46	54	66
15059	BOLT, 3/8" X 1-3/4" CARRIAGE	8	10	8
15031	WASHER, 3/8" FLAT	1	1	-
15051	NUT, 3/8" SERR. FLANGE	101	121	143

HONEYBEE GRAINBELT HEADER**HEADER: HONEYBEE GRAINBELT HEADER**

DESCRIPTION		21 FT.	25 FT.	30 FT.	36 FT.	39 FT.
GOLD'N CUT COMPLETE SYSTEM (BC)		29320	29321	29322	29323	29324
COMPLETE SICKLE		29300	29301	29302	29303	29304
-LEFT HAND SICKLE		29226-00	29226-00	29226-00	29226-00	29226-00
-CENTER SICKLE		23822	23822	23822 (2)	23822 (3)	23822 (3)
-RIGHT HAND SICKLE		24773	29231-00	29236-00	29241-00	29245-00
GOLD'N CUT COMPLETE SYSTEM (TS)		29330	29331	29332	29333	29334
COMPLETE SICKLE		29310	29311	29312	29313	29314
-LEFT HAND SICKLE		29228-00	29228-00	29228-00	29228-00	29228-00
-CENTER SICKLE		28432	28432	28432 (2)	28432 (3)	28432 (3)
-RIGHT HAND SICKLE		28208	29233-00	29238-00	29243-00	29247-00
GOLD'N CUT COMPLETE SYSTEM (US)		29335	29336	29337	29338	29339
COMPLETE SICKLE		29315	29316	29317	29318	29319
-LEFT HAND SICKLE		29229-00	29229-00	29229-00	29229-00	29229-00
-CENTER SICKLE		28543	28543	28543 (2)	28543 (3)	28543 (3)
-RIGHT HAND SICKLE		28548	29234-00	29239-00	29244-00	29248-00
KINGKUT COMPLETE SYSTEM (KK)		29325	29326	29327	29328	29329
COMPLETE SICKLE		29305	29306	29307	29308	29309
-LEFT HAND SICKLE		29227-00	29227-00	29227-00	29227-00	29227-00
-CENTER SICKLE		27071-00	27071-00	27071-00 (2)	27071-00 (3)	27071-00 (3)
-RIGHT HAND SICKLE		29230-00	29232-00	29237-00	29242-00	29246-00
PART #	DESCRIPTION	QTY	QTY	QTY	QTY	QTY
7228	GUARD, GOLD	42	50	60	73	79
22534	GUARD, SINGLE POINT	1	1	1	-	-
22847	GUARD, CENTER	-	-	-	-	-
17318	SECTION, GOLD (BC)	78	94	114	139	151
17370	SECTION, GOLD (TS)	78	94	114	139	151
17369	SECTION, GOLD (US)	78	94	114	139	151
14765	SECTION, KINGKUT (KK)	78	94	114	139	151
17425	SECTION, GOLD (CSK BOTTOM) (TS, US)	-	-	-	-	-
27106-00	SECTION, KINGKUT (CSK BOTTOM) (KK)	-	-	-	-	-
29255-00	SECTION, HEAD (BC)	6	6	6	6	6
29256-00	SECTION, HEAD (TS)	6	6	6	6	6
29257-00	SECTION, HEAD (US)	6	6	6	6	6
27440-00	SECTION, HEAD-LH (KK)	6	6	6	6	6
17339	SECTION, H & S END-RH (TS)	1	1	1	1	1
17884	SECTION, H & S END-RH (US)	1	1	1	1	1
25963-00	SECTION, SAWTOOTH OVERLAP	-	-	-	-	-
29250-00	OVERLAP STRAP	-	-	-	-	-
24338	HOLD DOWN (SPRING LOADED)	18	22	27	33	36
15241	BOLT, 7/16 X 1-1/2" CARRIAGE	49	57	67	80	86
15061	BOLT, 7/16 X 1-3/4" CARRIAGE	36	44	54	66	72
15052	NUT, 7/16" SERR. FLANGE	85	101	121	146	158

PARTS LISTS

J.E. LOVE FLOATING CUTTERBARS

HEADER: W/J.E. LOVE FLOATING CUTTERBARS

DESCRIPTION		13 FT.	15 FT.	16 FT.	18 FT.	20 FT.	22 FT.	24 FT.
GOLD'N CUT COMPLETE SYSTEM (BC)		19476	19477	19478	19479	19480	19481	19482
COMPLETE SICKLE		19462	19463	19464	19465	19466	19467	19468
-LEFT HAND SICKLE		28260	28260	28260	28260	28260	28260	28260
-CENTER SICKLE		-	-	-	24238	24238	24238	24238
-RIGHT HAND SICKLE		28266	28262	28118	28270	28268	28122	24239
PART #	DESCRIPTION	QTY	QTY	QTY	QTY	QTY	QTY	QTY
7225	GUARD, GOLD	25	29	31	35	39	43	47
21549	GUARD, 3 POINT	1	1	1	1	1	1	1
17206	SECTION, GOLD	54	62	66	74	82	90	98
24351	HOLD DOWN (SPRING LOADED)	11	13	14	15	18	20	22
24911	HOLD DOWN (SPRING LOADED HEAD)	2	2	2	2	2	2	2
17329	WEAR PLATE (6")	13	15	16	18	20	22	24
22523	SHIM (.010)	26	30	32	36	40	44	48
22524	SHIM (.024)	13	15	16	18	20	22	24
15304	BOLT, 7/16 X 1-1/2" PLOW	27	31	33	37	41	45	49
15305	BOLT, 7/16 X 1-3/4" PLOW	26	30	32	36	40	44	48
15052	NUT, 7/16" SERR. FLANGE	53	61	65	73	81	89	97

LEXION HEADERS

HEADER: F25, F30 FLEX, F535/540

DESCRIPTION		25 FT.	30 FT.	35 FT.	40 FT.
GOLD'N CUT COMPLETE SYSTEM (BC)		25725	25726	53184	53185
COMPLETE SICKLE		25722	25723	53180	53181
-LEFT HAND SICKLE		25720-00	25720-00	53163-00	53163-00
-LEFT HAND SICKLE - RH				53164-00	53164-00
-CENTER SICKLE		24774	24774 (2)	53177-00 (2)	28152 (2)
-RIGHT HAND SICKLE		24071	28185	53166-00	53166-00
-RIGHT HAND SICKLE - LH				53169-00	53169-00
KINGKUT COMPLETE SYSTEM (KK)		27313	27314	53186	53187
COMPLETE SICKLE		27311	27312	53182	53183
-LEFT HAND SICKLE		27064-00	27064-00	53171-00	53171-00
-LEFT HAND SICKLE - RH				53172-00	53172-00
-CENTER SICKLE		27071-00	27071-00 (2)	53179-00 (2)	27071-00 (2)
-RIGHT HAND SICKLE		27099-00	27091-00	53173-00	53173-00
-RIGHT HAND SICKLE - LH				53174-00	53174-00
PART #	DESCRIPTION	QTY	QTY	QTY	QTY
7228	GUARD, GOLD	50	60	60	70
22063	GUARD, HEAD			6	6
13454-00	GUARD, SINGLE POINT	1	1		
22847	GUARD, HEST./CIH CENTER			4	4
17318	SECTION, GOLD (BC)	100	120		
17201	SECTION, GOLD (BC)			114	134
53162-00	SECTION, HEAD AREA (BC)			22	22
14765	SECTION, KINGKUT (KK)	99	119	109	129
22525	SECTION, HALF-RH (BC)	1	1		
53161-00	SECTION, HALF-LH (BC) (KK)			1	1
53165-00	SECTION, HALF-RH (BC) (KK)			1	1
16009	SECTION, SAWTOOTH OVERLAP			5	5
53170-00	SECTION, HEAD AREA (KK)			22	22
27106-00	SECTION, BOT. C-SINK (KK)			5	5
17339	SECTION, H & S END-RH (KK)	1	1		
25724	HOLD DOWN (SPRING LOADED)	24	29		
24911	HOLD DOWN (SPRING LOADED HEAD)	1	1	6	6
24338	HOLD DOWN, HAY (SPRING LOADED)			29	34
25721-00	STRAP (REINFORCEMENT)	1	1		
53159-00	STRAP (REINFORCEMENT)			2	2
53168-00	STRAP (OVERLAP)			1	1
53160-00	STRAP (REINFORCEMENT)			1	1
22524	SHIM (.024)	25	30	155	180
21256	SHIM (.036)	25	30	12	12
22523	SHIM (.010)	25	30	35	40
21842	SHIM (3/16")	25	30	29	34
22878	BOLT, 1-1/2" CARRIAGE	52	62	70	80
15439	BOLT, 1.88" CARRIAGE	50	60	70	80
15051	NUT, 3/8" SERR. FLANGE	102	122	140	160

PARTS LISTS

**MACDON WINDROWERS & HEADERS
WHITE**

**WINDROWER: MACDON 1000, 2000, 3000, 7000 W/AUGER HEAD SINGLE DRIVE
WHITE: 601, 6200, 6400**

DESCRIPTION	12 FT.	14 FT.	15 FT.	16 FT.	18 FT.	21 FT.	25 FT.	30 FT.	36 FT.	
GOLD'N CUT COMPLETE SYSTEM (BC)	23961	23962	23963	23964	23965	23966	23967	23968	23969	
COMPLETE SICKLE	23970	23971	23972	23973	23974	23975	23976	23977	23978	
-LEFT HAND SICKLE	23950	23950	23950	23950	23950	23950	23950	23950	23950	
-CENTER SICKLE	-	-	-	-	23951	23951	23951	23951 (2)	23951 (3)	
-RIGHT HAND SICKLE	23954	23957	23958	23959	23952	23955	23960	23956	23953	
GOLD'N CUT COMPLETE SYSTEM (TS)	28945	28946	28947	28948	28949	28950	28951	28952	28966	
COMPLETE SICKLE	28929	28930	28931	28932	28933	28934	28935	28936	28964	
-LEFT HAND SICKLE	28908	28908	28908	28908	28908	28908	28908	28908	28908	
-CENTER SICKLE	-	-	-	-	28909	28909	28909	28909 (2)	28909 (3)	
-RIGHT HAND SICKLE	28911	28914	28915	28916	28910	28912	28917	28913	28962	
GOLD'N CUT COMPLETE SYSTEM (US)	28953	28954	28955	28956	28957	28958	28959	28960	28967	
COMPLETE SICKLE	28937	28938	28939	28940	28941	28942	28943	28944	28965	
-LEFT HAND SICKLE	28919	28919	28919	28919	28919	28919	28919	28919	28919	
-CENTER SICKLE	-	-	-	-	28920	28920	28920	28920	28920	
-RIGHT HAND SICKLE	28922	28925	28926	28927	28921	28923	28928	28924	28963	
PART #	DESCRIPTION	QTY	QTY	QTY	QTY	QTY	QTY	QTY	QTY	
7228	GUARD, GOLD	23	27	28	31	34	41	48	58	70
22063	GUARD, HEAD	3	2	3	2	3	3	3	3	3
16918	SECTION, GOLD (BC)	48	56	58	64	70	83	99	118	142
17877	SECTION, GOLD (TS)	48	56	58	64	70	83	99	118	142
17878	SECTION, GOLD (US)	48	56	58	64	70	83	99	118	142
23949	SECTION, HALF-LH (BC)	1	1	1	1	1	1	1	1	1
22786	SECTION, HALF-LH (US)	1	1	1	1	1	1	1	1	1
17339	SECTION, H & S END-RH (TS)	1	1	1	1	1	1	1	1	1
17884	SECTION, H & S END-RH (US)	1	1	1	1	1	1	1	1	1
24338	HOLD DOWN (SPRING LOADED)	11	13	14	15	17	20	24	29	35
24911	HOLD DOWN (SPRING LOADED HEAD)	1	1	1	1	1	1	1	1	1
22523	SHIM (.010)	12	14	15	16	18	21	25	30	36
21256	SHIM (.036)	24	28	30	32	36	42	50	60	72
15061	BOLT, 7/16 X 1-3/4" CARRIAGE (TS, US)	24	28	60	32	36	42	50	60	72
15082	BOLT, 7/16 X 2" CARRIAGE (BC)	24	28	60	32	36	42	50	60	72
15241	BOLT, 7/16 X 1-1/2" CARRIAGE	26	30	60	34	36	44	50	60	72
15052	NUT, 7/16" SERR. FLANGE	50	58	60	66	72	86	100	120	144

MACDON WINDROWERS & HEADERS WHITE

HEADER: 900 WHITE

DESCRIPTION	13 FT.	15 FT.	16 FT.	18 FT.	20 FT.	22 FT.	24 FT.	26 FT.
GOLD'N CUT COMPLETE SYSTEM (BC)	28825	28826	28827	28828	28829	28830	28992	24196
COMPLETE SICKLE	28813	28814	28815	28816	28817	28818	28994	24195
-LEFT HAND SICKLE	28811	28811	28811	28811	28811	28811	28811	28811
-CENTER SICKLE	-	-	-	28279	28279	28279	28279	28279
-RIGHT HAND SICKLE	28283	28282	28280	28285	28284	28805	28281	24194
PART #	DESCRIPTION	QTY	QTY	QTY	QTY	QTY	QTY	QTY
7229	GUARD, GOLD	26	30	32	36	40	44	50
22659	GUARD, SINGLE POINT	1	1	1	1	1	1	1
17202	SECTION, GOLD	49	57	61	69	77	85	97
17338	SECTION, HALF-LH	1	1	1	1	1	1	1
17337	SECTION, HALF-RH	1	1	1	1	1	1	1
24549	SECTION, HEAD (TOP CSK)	3	3	3	3	3	3	3
24344	HOLD DOWN (SPRING LOADED)	12	14	15	17	19	21	24
24911	HOLD DOWN (SPRING LOADED HEAD)	1	1	1	1	1	1	1
17329	WEAR PLATE (6")	13	15	16	18	20	22	50
22523	SHIM (.010)	13	15	16	18	20	22	25
22524	SHIM (.024)	13	15	16	18	20	22	25
15439	BOLT, 1.88" CARRIAGE	26	30	32	36	40	44	50
22878	BOLT, 1-1/2" CARRIAGE	27	31	35	37	41	45	51
15051	NUT, 3/8" SERR. FLANGE	53	61	67	73	81	89	101

DESCRIPTION	13 FT.	15 FT.	16 FT.	18 FT.	20 FT.	22 FT.	24 FT.
DOUBLE POINT SICKLE	28819	28820	28821	28822	28823	28824	28995
-LEFT HAND SICKLE	28812	28812	28812	28812	28812	28812	28812
-CENTER SICKLE	-	-	-	28287	28287	28287	28287
-RIGHT HAND SICKLE	28291	28290	28288	28293	28292	28806	28289

PARTS LISTS

MACDON WINDROWERS & HEADERS**WINDROWER: MACDON D50/D60/FD70, CNH 2142/2152/2162**

DESCRIPTION		20 FT. SINGLE DRIVE	25 FT. SINGLE DRIVE	30 FT. SINGLE DRIVE	35 FT. SINGLE DRIVE	40 FT. SINGLE DRIVE
GOLD'N CUT COMPLETE SYSTEM (BC)		53841	53929	53931	53845	53849
COMPLETE SICKLE		53843	29519	29522	53847	53851
-LEFT HAND SICKLE		29399-00	29399-00	23951-00	29399-00	29399-00
-CENTER SICKLE		23951	23951	23591 (2)	23951 (3)	23951 (3)
-RIGHT HAND SICKLE		53830-00	29384-00	29390-00	29387-00	29378-00
GOLD'N CUT COMPLETE SYSTEM (BC)		53842	53930	53932	53846	53850
COMPLETE SICKLE		53844	29704	29695	53848	53852
-LEFT HAND SICKLE		29658-00	29658-00	29658-00	29658-00	29658-00
-CENTER SICKLE		29647	29647	29647-00 (2)	29647-00 (3)	29647-00 (3)
-RIGHT HAND SICKLE		53831-00	29649-00	29650-00	29657-00	29660-00
PART #	DESCRIPTION	QTY	QTY	QTY	QTY	QTY
7228	GUARD, GOLD	35	45	55	65	75
22063	GUARD, HEAD	3	3	3	3	3
18644-00	GUARD, MACDON SPECIAL LH	1	1	1	1	1
18645-00	GUARD, MACDON SPECIAL RH	1	1	1	1	1
16918	SECTION, GOLD (BC)	79	99	119	139	159
18650	SECTION, GOLD (KK)	79	99	119	139	159
21256	SPACER SHIM (.0359)	42	52	62	72	87
22523	SPACER SHIM (.010)	42	52	62	72	87
24979	SECTION, HALF-LH (BC) & (KK)	1	1	1	1	1
24980	SECTION, HALF-RH (BC) & (KK)	1	1	1	1	1
24338	HOLD DOWN (SPRING LOADED)	20	25	30	35	40
24911	HOLD DOWN (SPRING LOADED HEAD)	1	1	1	1	1
15856-00	BOLT, 7/16 X 1-1/2" CARRIAGE	38	48	60	72	80
15857-00	BOLT, 7/16 X 1-3/4" CARRIAGE	42	52	62	72	82
15052	NUT, 7/16" SERR. FLANGE	80	100	122	144	162

MACDON WINDROWERS & HEADERS

WINDROWER: MACDON A30-S & A30-D PT, A30-S, A30-D & A40-D SP

DESCRIPTION		14 FT. SINGLE DRIVE	16 FT. SINGLE DRIVE
GOLD'N CUT COMPLETE SYSTEM (BC)		53832	53838
COMPLETE SICKLE		53835	23973
-LEFT HAND SICKLE		29399-00	29399-00
-RIGHT HAND SICKLE		29381-00	29384-00
GOLD'N CUT COMPLETE SYSTEM (TS)		53833	53839
COMPLETE SICKLE		53836	28932
-LEFT HAND SICKLE		29411-00	29411-00
-RIGHT HAND SICKLE		29382-00	29385-00
GOLD'N CUT COMPLETE SYSTEM (US)		53834	53840
COMPLETE SICKLE		53837	28940
-LEFT HAND SICKLE		29412-00	29412-00
-RIGHT HAND SICKLE		29383-00	29386-00
PART #	DESCRIPTION	QTY	QTY
7228	GUARD, GOLD	25	28
18644-00	GUARD, MACDON SPECIAL LH	1	1
18645-00	GUARD, MACDON SPECIAL RH	1	1
22063	GUARD, HEAD	3	3
21256	SPACER SHIM (.010)	56	62
22523	SPACER SHIM (.0359)	56	62
24911	ASSY., SPRING LOADED HEAD HOLD DOWN	2	2
16918	SECTION, GOLD (BC)	59	65
17877	SECTION, GOLD (TS)	59	65
17878	SECTION, GOLD (US)	59	65
24979	SECTION, HALF-LH (BC)	1	1
25466-00	SECTION, HALF-LH (TS)	1	1
29414-00	SECTION, HALF-LH (US)	1	1
24980	SECTION, HALF-RH (BC)	1	1
25467-00	SECTION, HALF-RH (TS)	1	1
29374-00	SECTION, HALF-RH (US)	1	1
24338	HOLD DOWN (SPRING LOADED)	26	29
15061	BOLT, 7/16 X 1-3/4" CARRIAGE	56	62
15241	BOLT, 7/16 X 1-1/2" CARRIAGE	4	4
15052	NUT, 7/16" SERR. FLANGE	60	66

PARTS LISTS

MACDON WINDROWERS & HEADERS

WINDROWER: MACDON D50/D60/FD70, CNH 2142/2152/2162

DESCRIPTION	25 FT. DOUBLE DRIVE	30 FT. DOUBLE DRIVE	35 FT. DOUBLE DRIVE	40 FT. DOUBLE DRIVE	45 FT. DOUBLE DRIVE
GOLD'N CUT COMPLETE SYSTEM (BC)	53919	53921	53923	53925	53927
COMPLETE SICKLE	53909	53911	53913	53915	53917
-LEFT HAND SICKLE	-	-	-	-	-
-L-LEFT HAND SICKLE	29429-00	29429-00	29429-00	29429-00	29429-00
-R-LEFT HAND SICKLE	29471-00	29477-00	39457-00	53885-00	53887-00
-CENTER SICKLE	-	-	23951(1) FOR USE ON LH	23951 (2)	23951 (2)
-RIGHT HAND SICKLE	-	-	-	-	-
-R-RIGHT HAND SICKLE	24987	24987	24987	24987	24987
-L-RIGHT HAND SICKLE	53889-00	53891-00	25984-00	53893-00	53895-00
-CENTER SICKLE			53903-00 (1) FOR USE ON RH		
GOLD'N CUT COMPLETE SYSTEM (KK)	53920	53922	53924	53926	53928
COMPLETE SICKLE	53910	53912	53914	53916	53918
-LEFT HAND SICKLE	-	-	-	-	-
-L-LEFT HAND SICKLE	29663-00	29663-00	29663-00	29663-00	29663-00
-R-LEFT HAND SICKLE	29677-00	29679-00	29673-00	53886-00	53888-00
-CENTER SICKLE	-	-	29647-00 (1) FOR USE ON LH	29647-00 (2)	29647-00 (2)
-RIGHT HAND SICKLE	-	-	-	-	-
-R-RIGHT HAND SICKLE	29675-00	29675-00	29675-00	29675-00	29675-00
-L-RIGHT HAND SICKLE	53890-00	53892-00	53908-00	53894-00	53896-00
-CENTER SICKLE			53905-00 (1) FOR USE ON RH		

MACDON WINDROWERS & HEADERS

WINDROWER: MACDON D50/D60/FD70, CNH 2142/2152/2162

PART #	DESCRIPTION	QTY	QTY	QTY	QTY	QTY
7228	GUARD, GOLD	41	51	61	71	81
22063	GUARD, HEAD	6	6	6	6	6
18644-00	GUARD, MACDON SPECIAL LH	1	1	1	1	1
18645-00	GUARD, MACDON SPECIAL RH	1	1	1	1	1
18646-00	GUARD, MACDON BOTTOM STUB CENTER	1	1	1	1	1
18647-00	GUARD, MACDON TOP STUB CENTER	1	1	1	1	1
16918	SECTION, GOLD (BC)	93	113	133	153	173
18650	SECTION, GOLD (KK)	93	113	133	153	173
21256	SPACER SHIM (.0359)	52	62	72	82	92
22523	SPACER SHIM (.010)	52	62	72	82	92
24979	SECTION, HALF-LH (BC) & (KK)	1	1	1	1	1
24980	SECTION, HALF-RH (BC) & (KK)	1	1	1	1	1
25963-00	SECTION, OVERLAP (SAWTOOTH)	4	4	4	4	4
29433	SECTION, BOTTOM C-SINK (BC)	3	3	3	3	3
29670	SECTION, BOTTOM C-SINK (KK)	3	3	3	3	3
24338	HOLD DOWN (SPRING LOADED)	22	27	32	37	42
24911	HOLD DOWN (SPRING LOADED HEAD)	4	4	4	4	4
29440-00	OVERLAP STRAP	1	1	1	1	1
18648-00	BAR, GUARD ADJUSTER	1	1	1	1	1
15006	BOLT, 3/8 X 1" HEX HD GR5 ZP	3	3	3	3	3
15859-00	BOLT, 7/16 X 2-3/4" CARRIAGE	2	2	2	2	2
15857-00	BOLT, 7/16 X 1-3/4" CARRIAGE (BC)	52	62	72	82	92
15856-00	BOLT, 7/16 X 1-1/2" CARRIAGE (TS, US)	46	56	66	76	86
15052	NUT, 7/16" SERR. FLANGE	100	120	140	160	180

PARTS LISTS

MACDON WINDROWERS & HEADERS

WINDROWER: 7000 W/972 AUGER HEADER

DESCRIPTION		21 FT. DOUBLE DRIVE	25 FT. DOUBLE DRIVE	30 FT. DOUBLE DRIVE	36 FT. DOUBLE DRIVE
GOLD'N CUT COMPLETE SYSTEM (BC)		25990	25991	25992	25993
COMPLETE SICKLE		25986	25987	25988	25989
-LEFT HAND SICKLE		29429-00	29429-00	29429-00	29429-00
-LEFT END SICKLE		29465-00	29471-00	29477-00	29483-00
-CENTER SICKLE		-	-	-	23951 (2)
-RIGHT HAND SICKLE		24987	24987	24987	24987
-RIGHT END SICKLE		25973-00	25984-00	25985-00	24989
PART #	DESCRIPTION	QTY	QTY	QTY	QTY
7228	GUARD, GOLD	33	41	51	63
22063	GUARD, HEAD	6	6	6	6
18644-00	GUARD, MACDON SPECIAL LH	1	1	1	1
18645-00	GUARD, MACDON SPECIAL RH	1	1	1	1
18646-00	GUARD, MACDON BOT. STUB CENTER	1	1	1	1
18647-00	GUARD, MACDON TOP STUB CENTER	1	1	1	1
16918	SECTION, GOLD	77	93	113	137
29443-00	SECTION, BEARCUT BOTTOM C-SINK	3	3	3	3
24979	SECTION, HALF-LH	1	1	1	1
24980	SECTION, HALF-RH	1	1	1	1
25963-00	SECTION, OVERLAP (SAWTOOTH)	4	4	4	4
24338	HOLD DOWN (SPRING LOADED)	37	45	55	67
24911	HOLD DOWN (SPRING LOADED HEAD)	4	4	4	4
15061	BOLT, 7/16 X 1-3/4" CARRIAGE	82	98	118	142
15052	NUT, 7/16" SERR. FLANGE	84	100	120	144
18648-00	BAR, GUARD ADJUSTER	1	1	1	1
15033	BOLT, 7/16 X 2-1/2 CARRIAGE BLTZP	2	2	2	2
29440-00	STRAP, OVERLAP (2-1/8")	1	1	1	1
15006	BOLT, 3/8 X 1 HEX HD GR5 ZP	3	3	3	3

WINDROWER: 7000 W/910, 920, 930 AUGER HEADER

DESCRIPTION		12 FT. DOUBLE DRIVE	14 FT. DOUBLE DRIVE	16 FT. DOUBLE DRIVE	18 FT. DOUBLE DRIVE
GOLD'N CUT COMPLETE SYSTEM (BC)		25311	25312	25313	25314
COMPLETE SICKLE		24997	24998	24999	25310
-LEFT HAND SICKLE		24991	24992	24993	29429-00
-LEFT END SICKLE		-	-	-	24988
-RIGHT HAND SICKLE		24994	24995	24996	29426-00
PART #	DESCRIPTION	QTY	QTY	QTY	QTY
7228	GUARD, GOLD	20	22	26	29
22063	GUARD, HEAD	4	6	6	6
25315	GUARD, CENTER	1	1	1	1
16918	SECTION, GOLD	46	54	62	68
24979	SECTION, HALF-LH	1	1	1	1
24980	SECTION, HALF-RH	1	1	1	1
25963-00	SECTION, SAWTOOTH OVERLAP		4	4	4
24338	HOLD DOWN (SPRING LOADED)	16	22	26	29
15061	BOLT, 7/16 X 1-3/4" CARRIAGE	38	44	52	58
15241	BOLT, 7/16 X 1-1/2" CARRIAGE	12	12	12	12
15052	NUT, 7/16" SERR. FLANGE	50	58	66	72
15033	BOLT, 7/16 X 2-1/2 CARRIAGE BLTZP		2	2	2
15006	BOLT, 3/8 X 1 HEX HD GR5 ZP		3	3	3
18647-00	GUARD, MACDON TOP STUB CENTER		1	1	1
18648-00	BAR, GUARD ADJUSTER		1	1	1
18655-00	GUARD, MACDON CENTER		1	1	1

MACDON WINDROWERS & HEADERS

HEADER: 7000 & 9000 WINDROWERS W/910, 920, 922, 930 AUGER HEADER

DESCRIPTION		14 FT. DOUBLE DRIVE	16 FT. DOUBLE DRIVE	18 FT. DOUBLE DRIVE
GOLD'N CUT COMPLETE SYSTEM (BC)		25312	25313	25314
COMPLETE SICKLE		24998	24999	25310
-LEFT HAND SICKLE		24992	24993	29429-00
-CENTER SICKLE		24995	24996	29426-00
-RIGHT HAND SICKLE		-	-	24988
GOLD'N CUT COMPLETE SYSTEM (TS)		29618	29623	29625
COMPLETE SICKLE		29533	29535	29537
-LEFT HAND SICKLE		25474-00	25476-00	-
-L-LEFT HAND SICKLE		-	-	25465-00
-R-LEFT HAND SICKLE		-	-	29423-00
-RIGHT HAND SICKLE		25475-00	25477-00	29427-00
GOLD'N CUT COMPLETE SYSTEM (US)		29619	29624	29626
COMPLETE SICKLE		29534	29536	29538
-LEFT HAND SICKLE		29416-00	29435-00	-
-L-LEFT HAND SICKLE		-	-	29422-00
-R-LEFT HAND SICKLE		-	-	29428-00
-RIGHT HAND SICKLE		29433-00	29437-00	29428-00
PART #	DESCRIPTION	QTY	QTY	QTY
7228	GUARD, GOLD	22	26	29
22063	GUARD, HEAD	6	6	6
18647-00	GUARD, MACDON TOP STUB CENTER	1	1	1
18655-00	GUARD, MACDON CENTER	1	1	1
16918	SECTION, GOLD (BC)	54	64	68
17877	SECTION, GOLD (TS)	54	64	68
17878	SECTION, GOLD (US)	54	64	68
24979	SECTION, HALF-LH (BC)	1	1	1
25466-00	SECTION, HALF-LH (TS)	1	1	1
29414-00	SECTION, HALF-LH (US)	1	1	1
24980	SECTION, HALF-RH (BC)	1	1	1
25467-00	SECTION, HALF-RH (TS)	1	1	1
29374-00	SECTION, HALF-RH (US)	1	1	1
25963-00	SECTION, OVERLAP (SAWTOOTH)	4	4	4
24338	HOLD DOWN (SPRING LOADED)	22	26	29
18648-00	BAR, GUARD ADJUSTER	1	1	1
15006	BOLT, 3/8 X 1" HEX HD GR5 ZP	3	3	3
15033	BOLT, 7/16 X 2-1/2" CARRIAGE	2	2	2
15061	BOLT, 7/16 X 1-3/4" CARRIAGE	44	52	58
15241	BOLT, 7/16 X 1-1/2" CARRIAGE	12	12	12
15052	NUT, 7/16" SERR. FLANGE	58	66	72

PARTS LISTS

MACDON WINDROWERS & HEADERS

WINDROWER: 3000 & 3020 PT WINDROWERS, JD 590 (30'), MF 613

DESCRIPTION		21 FT. SINGLE DRIVE	25 FT. SINGLE DRIVE	30 FT. SINGLE DRIVE	36 FT. SINGLE DRIVE
GOLD'N CUT COMPLETE SYSTEM (BC)		23966	23967	23968	23969
COMPLETE SICKLE		23975	23976	23977	23978
-LEFT HAND SICKLE		23950	23950	23950	23950
-CENTER SICKLE		23951	23951	23951 (2)	23951 (3)
-RIGHT HAND SICKLE		29375-00	29384-00	29390-00	29393-00
GOLD'N CUT COMPLETE SYSTEM (TS)		28950	28951	28952	28966
COMPLETE SICKLE		28934	28935	28936	23978
-LEFT HAND SICKLE		28908	28908	28908	28908
-CENTER SICKLE		28909	28909	28909 (2)	28909 (3)
-RIGHT HAND SICKLE		29376-00	29385-00	29391-00	29394-00
GOLD'N CUT COMPLETE SYSTEM (US)		28958	28959	28960	28967
COMPLETE SICKLE		28942	28943	28944	28965
-LEFT HAND SICKLE		28919	28919	28919	28919
-CENTER SICKLE		28920	28920	28920 (2)	28920 (3)
-RIGHT HAND SICKLE		29377-00	29386-00	29392-00	29395-00
PART #	DESCRIPTION	QTY	QTY	QTY	QTY
7228	GUARD, GOLD	40	48	58	70
22063	GUARD, HEAD	3	3	3	3
16918	SECTION, GOLD (BC)	83	99	119	143
17877	SECTION, GOLD (TS)	83	99	119	143
17878	SECTION, GOLD (US)	83	99	119	143
23949	SECTION, HALF-LH (BC)	1	1	1	1
22785	SECTION, HALF-LH (TS)	1	1	1	1
22786	SECTION, HALF-LH (US)	1	1	1	1
24980	SECTION, HALF-RH (BC)	1	1	1	1
25467-00	SECTION, HALF-RH (TS)	1	1	1	1
29374-00	SECTION, HALF-RH (US)	1	1	1	1
24338	HOLD DOWN (SPRING LOADED)	40	48	58	70
15061	BOLT, 7/16 X 1-3/4" CARRIAGE	80	96	116	140
15241	BOLT, 7/16 X 1-1/2" CARRIAGE	6	6	6	6
15052	NUT, 7/16" SERR. FLANGE	86	102	122	146

MACDON WINDROWERS & HEADERS

WINDROWER: RENN 1000, JD 580, MF 35, WHITE 601

DESCRIPTION		15 FT. SINGLE DRIVE	18 FT. SINGLE DRIVE	21 FT. SINGLE DRIVE	25 FT. SINGLE DRIVE
GOLD'N CUT COMPLETE SYSTEM (BC)		23963	29580	29583	29586
COMPLETE SICKLE		23972	29492	29495	29498
-LEFT HAND SICKLE		23950	23950	23950	23590
-CENTER SICKLE		-	23951	23951	23951
-RIGHT HAND SICKLE		29381-00	29402-00	29405-00	29408-00
GOLD'N CUT COMPLETE SYSTEM (TS)		28947	29581	29584	29587
COMPLETE SICKLE		28931	29493	29496	29499
-LEFT HAND SICKLE		28908	28908	28908	28908
-CENTER SICKLE		-	28909	28909	28909
-RIGHT HAND SICKLE		29382-00	29403-00	29406-00	29409-00
GOLD'N CUT COMPLETE SYSTEM (US)		28955	29582	29585	29588
COMPLETE SICKLE		28939	29494	29497	29500
-LEFT HAND SICKLE		28919	28919	28919	28919
-CENTER SICKLE		-	28920	28920	28920
-RIGHT HAND SICKLE		29383-00	29404-00	29407-00	29410-00
PART #	DESCRIPTION	QTY	QTY	QTY	QTY
7228	GUARD, GOLD	28	34	40	48
22063	GUARD, HEAD	3	3	3	3
16918	SECTION, GOLD (BC)	59	72	84	100
17877	SECTION, GOLD (TS)	59	72	84	100
17878	SECTION, GOLD (US)	59	72	84	100
23949	SECTION, HALF-LH (BC)	1	1	1	1
22785	SECTION, HALF-LH (TS)	1	1	1	1
22786	SECTION, HALF-LH (US)	1	1	1	1
24980	SECTION, HALF-RH (BC)	1	1	1	1
25467-00	SECTION, HALF-RH (TS)	1	1	1	1
29374-00	SECTION, HALF-RH (US)	1	1	1	1
24338	HOLD DOWN (SPRING LOADED)	28	34	40	48
15061	BOLT, 7/16 X 1-3/4" CARRIAGE	56	68	80	96
15241	BOLT, 7/16 X 1-1/2" CARRIAGE	6	6	6	6
15052	NUT, 7/16" SERR. FLANGE	62	74	86	102

PARTS LISTS

MACDON WINDROWERS & HEADERS

WINDROWER: RENN 2000, MF 655, 775, 785, NH 1090, WHITE 6200

DESCRIPTION		12 FT. SINGLE DRIVE	15 FT. SINGLE DRIVE	18 FT. SINGLE DRIVE	21 FT. SINGLE DRIVE
GOLD'N CUT COMPLETE SYSTEM (BC)		23961	23963	23965	23966
COMPLETE SICKLE		23970	23972	23974	23975
-LEFT HAND SICKLE		23950	23950	23950	23950
-CENTER SICKLE		-	-	23951	23951
-RIGHT HAND SICKLE		29396-00	29381-00	29387-00	29375-00
GOLD'N CUT COMPLETE SYSTEM (TS)		28945	28947	28949	28950
COMPLETE SICKLE		28929	28931	28933	28934
-LEFT HAND SICKLE		28908	28908	28908	28908
-CENTER SICKLE		-	-	28909	28909
-RIGHT HAND SICKLE		29397-00	29382-00	29388-00	29375-00
GOLD'N CUT COMPLETE SYSTEM (US)		28953	28955	28957	28958
COMPLETE SICKLE		28937	28939	28941	28942
-LEFT HAND SICKLE		28919	28919	28919	28919
-CENTER SICKLE		-	-	28920	28920
-RIGHT HAND SICKLE		29398-00	29383-00	29389-00	29377-00
PART #	DESCRIPTION	QTY	QTY	QTY	QTY
7228	GUARD, GOLD	22	28	34	40
22063	GUARD, HEAD	3	3	3	3
16918	SECTION, GOLD (BC)	47	59	71	83
17877	SECTION, GOLD (TS)	47	59	71	83
17878	SECTION, GOLD (US)	47	59	71	83
23949	SECTION, HALF-LH (BC)	1	1	1	1
22785	SECTION, HALF-LH (TS)	1	1	1	1
22786	SECTION, HALF-LH (US)	1	1	1	1
24980	SECTION, HALF-RH (BC)	1	1	1	1
25467-00	SECTION, HALF-RH (TS)	1	1	1	1
29374-00	SECTION, HALF-RH (US)	1	1	1	1
24338	HOLD DOWN (SPRING LOADED)	22	28	34	40
15061	BOLT, 7/16 X 1-3/4" CARRIAGE	44	56	68	80
15241	BOLT, 7/16 X 1-1/2" CARRIAGE	6	6	6	6
15052	NUT, 7/16" SERR. FLANGE	50	62	74	86

MACDON WINDROWERS & HEADERS

WINDROWER: 960, 7000 WR W/DRAPER HEAD, MULTI-CROP HEADER, HARVEST HEADER

DESCRIPTION		15 FT. SINGLE DRIVE	18 FT. SINGLE DRIVE	21 FT. SINGLE DRIVE	25 FT. SINGLE DRIVE	30 FT. SINGLE DRIVE
GOLD'N CUT COMPLETE SYSTEM (BC)		23963	23965	23966	23967	23968
COMPLETE SICKLE		23972	23974	23975	23976	23977
-LEFT HAND SICKLE		23950	23950	23950	23950	23950
-CENTER SICKLE		-	23951	23951	23951	23951 (2)
-RIGHT HAND SICKLE		29381-00	29387-00	29375-00	29384-00	23390-00
GOLD'N CUT COMPLETE SYSTEM (TS)		28947	28949	28950	28951	28952
COMPLETE SICKLE		28931	28933	28934	28935	28936
-LEFT HAND SICKLE		28908	28908	28908	28908	28908
-CENTER SICKLE		-	28909	28909	28909	28909 (2)
-RIGHT HAND SICKLE		29382-00	29388-00	29375-00	29385-00	29391-00
GOLD'N CUT COMPLETE SYSTEM (US)		28955	28957	28958	28959	28960
COMPLETE SICKLE		28939	28941	28942	28943	28944
-LEFT HAND SICKLE		28919	28919	28919	28919	28919
-CENTER SICKLE		-	28920	28920	28920	28920 (2)
-RIGHT HAND SICKLE		29383-00	29389-00	29377-00	29386-00	29392-00
PART #	DESCRIPTION	QTY	QTY	QTY	QTY	QTY
7228	GUARD, GOLD	28	34	40	48	58
22063	GUARD, HEAD	3	3	3	3	3
16918	SECTION, GOLD (BC)	59	71	83	99	119
17877	SECTION, GOLD (TS)	59	71	83	99	119
17878	SECTION, GOLD (US)	59	71	83	99	119
23949	SECTION, HALF-LH (BC)	1	1	1	1	1
22785	SECTION, HALF-LH (TS)	1	1	1	1	1
22786	SECTION, HALF-LH (US)	1	1	1	1	1
24980	SECTION, HALF-RH (BC)	1	1	1	1	1
25467-00	SECTION, HALF-RH (TS)	1	1	1	1	1
29374-00	SECTION, HALF-RH (US)	1	1	1	1	1
24338	HOLD DOWN (SPRING LOADED)	28	34	40	48	58
15061	BOLT, 7/16 X 1-3/4" CARRIAGE	56	68	80	96	116
15241	BOLT, 7/16 X 1-1/2" CARRIAGE	6	6	6	6	6
15052	NUT, 7/16" SERR. FLANGE	62	74	86	102	122

MACDON WINDROWERS & HEADERS

WINDROWER: 4000 MOWER/COND.

DESCRIPTION		9 FT. SINGLE DRIVE
GOLD'N CUT COMPLETE SYSTEM (BC)		29556
COMPLETE SICKLE		29501
-LEFT HAND SICKLE		29399-00
-RIGHT HAND SICKLE		29387-00
GOLD'N CUT COMPLETE SYSTEM (TS)		29557
COMPLETE SICKLE		29502
-LEFT HAND SICKLE		29411-00
-RIGHT HAND SICKLE		29388-00
GOLD'N CUT COMPLETE SYSTEM (US)		29558
COMPLETE SICKLE		29503
-LEFT HAND SICKLE		29412-00
-RIGHT HAND SICKLE		29389-00
PART #	DESCRIPTION	QTY
7228	GUARD, GOLD	17
22063	GUARD, HEAD	2
16918	SECTION, GOLD (BC)	37
17877	SECTION, GOLD (TS)	37
17878	SECTION, GOLD (US)	37
24979	SECTION, HALF-LH (BC)	1
25466-00	SECTION, HALF-LH (TS)	1
29414-00	SECTION, HALF-LH (US)	1
24980	SECTION, HALF-RH (BC)	1
25467-00	SECTION, HALF-RH (TS)	1
29374-00	SECTION, HALF-RH (US)	1
24338	HOLD DOWN (SPRING LOADED)	16
15061	BOLT, 7/16 X 1-3/4" CARRIAGE	38
15241	BOLT, 7/16 X 1-1/2" CARRIAGE	6
15052	NUT, 7/16" SERR. FLANGE	38

MACDON WINDROWERS & HEADERS

WINDROWER: 942 MULTI-CROP HEADER

DESCRIPTION		12 FT. SINGLE DRIVE	15 FT. DOUBLE DRIVE	18 FT. DOUBLE DRIVE
GOLD'N CUT COMPLETE SYSTEM (BC)		29574	29610	29613
COMPLETE SICKLE		29504	29539	25310
-LEFT HAND SICKLE		29399-00	24992	29429-00
-CENTER SICKLE		-	-	24988
-RIGHT HAND SICKLE		29396-00	29418-00	29426-00
GOLD'N CUT COMPLETE SYSTEM (TS)		29757	29611	29614
COMPLETE SICKLE		29505	29540	29537
-LEFT HAND SICKLE		29411-00	25474-00	25465-00
-CENTER SICKLE		-	-	29423-00
-RIGHT HAND SICKLE		29397-00	29419-00	29427-00
GOLD'N CUT COMPLETE SYSTEM (US)		29576	26912	29615
COMPLETE SICKLE		29505	29541	29538
-LEFT HAND SICKLE		29412-00	29416-00	29422-00
-CENTER SICKLE		-	-	29424-00
-RIGHT HAND SICKLE		29398-00	29420-00	29428-00
PART #	DESCRIPTION	QTY	QTY	QTY
7228	GUARD, GOLD	22	25	31
22063	GUARD, HEAD	2	4	4
25315	GUARD, MACDON CENTER	-	1	1
16918	SECTION, GOLD (BC)	47	56	68
17877	SECTION, GOLD (TS)	47	56	68
17878	SECTION, GOLD (US)	47	56	68
24979	SECTION, HALF-LH (BC)	1	1	1
25466-00	SECTION, HALF-LH (TS)	1	1	1
29414-00	SECTION, HALF-LH (US)	1	1	1
24980	SECTION, HALF-RH (BC)	1	1	1
25467-00	SECTION, HALF-RH (TS)	1	1	1
29374-00	SECTION, HALF-RH (US)	1	1	1
25963-00	SECTION, OVERLAP (SAWTOOTH)	-	4	4
24338	HOLD DOWN (SPRING LOADED)	22	26	32
15061	BOLT, 7/16 X 1-3/4" CARRIAGE	44	52	64
15241	BOLT, 7/16 X 1-1/2" CARRIAGE	4	8	8
15052	NUT, 7/16" SERR. FLANGE	48	60	72

PARTS LISTS

MACDON WINDROWERS & HEADERS

WINDROWER: 962, 963 HARVEST HEADERS

DESCRIPTION		30 FT. SINGLE DRIVE	18 FT. SINGLE DRIVE
GOLD'N CUT COMPLETE SYSTEM (BC)		29604	29607
COMPLETE SICKLE		29522	29525
-LEFT HAND SICKLE		29399-00	29399-00
-CENTER SICKLE		23951 (2)	23951 (3)
-RIGHT HAND SICKLE		29390-00	29393-00
GOLD'N CUT COMPLETE SYSTEM (TS)		29605	29608
COMPLETE SICKLE		29523	29526
-LEFT HAND SICKLE		29411-00	29411-00
-CENTER SICKLE		28909 (2)	28909 (3)
-RIGHT HAND SICKLE		29391-00	29394-00
GOLD'N CUT COMPLETE SYSTEM (US)		29606	29609
COMPLETE SICKLE		29524	29527
-LEFT HAND SICKLE		29412-00	29412-00
-CENTER SICKLE		28920 (2)	28920 (3)
-RIGHT HAND SICKLE		29392-00	29395-00
PART #	DESCRIPTION	QTY	QTY
7228	GUARD, GOLD	56	68
22063	GUARD, HEAD	4	4
16918	SECTION, GOLD (BC)	119	143
17877	SECTION, GOLD (TS)	119	143
17878	SECTION, GOLD (US)	119	143
24979	SECTION, HALF-LH (BC)	1	1
25466-00	SECTION, HALF-LH (TS)	1	1
29414-00	SECTION, HALF-LH (US)	1	1
24980	SECTION, HALF-RH (BC)	1	1
25467-00	SECTION, HALF-RH (TS)	1	1
29374-00	SECTION, HALF-RH (US)	1	1
24338	HOLD DOWN (SPRING LOADED)	31	37
24911	HOLD DOWN (SPRING LOADED HEAD)	1	1
22523	SHIM (.010)	64	76
22524	SHIM (.024)	32	38
21256	SHIM (.036)	64	76
15061	BOLT, 7/16 X 1-3/4" CARRIAGE	64	76
15241	BOLT, 7/16 X 1-1/2" CARRIAGE	56	68
15052	NUT, 7/16" SERR. FLANGE	120	144

MACDON WINDROWERS & HEADERS

WINDROWER: 5000 MOWER/COND.

DESCRIPTION		12 FT. SINGLE DRIVE	14 FT. SINGLE DRIVE	16 FT. SINGLE DRIVE
GOLD'N CUT COMPLETE SYSTEM (BC)		29559	23962	23964
COMPLETE SICKLE		29507	23971	29562
-LEFT HAND SICKLE		24986	24986	24986
-RIGHT HAND SICKLE		29375-00	29378-00	29384-00
GOLD'N CUT COMPLETE SYSTEM (TS)		29560	28946	28948
COMPLETE SICKLE		29508	28930	29563
-LEFT HAND SICKLE		29430-00	29430-00	29430-00
-RIGHT HAND SICKLE		29376-00	29379-00	29385-00
GOLD'N CUT COMPLETE SYSTEM (US)		29561	28954	28956
COMPLETE SICKLE		29509	28938	29564
-LEFT HAND SICKLE		29431-00	29431-00	29431-00
-RIGHT HAND SICKLE		29377-00	29380-00	29386-00
PART #	DESCRIPTION	QTY	QTY	QTY
7228	GUARD, GOLD	23	27	31
22063	GUARD, HEAD	2	2	2
16918	SECTION, GOLD (BC)	49	57	65
17877	SECTION, GOLD (TS)	49	57	65
17878	SECTION, GOLD (US)	49	57	65
24979	SECTION, HALF-LH (BC)	1	1	1
25466-00	SECTION, HALF-LH (TS)	1	1	1
29414-00	SECTION, HALF-LH (US)	1	1	1
24980	SECTION, HALF-RH (BC)	1	1	1
25467-00	SECTION, HALF-RH (TS)	1	1	1
29374-00	SECTION, HALF-RH (US)	1	1	1
24338	HOLD DOWN (SPRING LOADED)	22	26	30
15061	BOLT, 7/16 X 1-3/4" CARRIAGE	44	52	60
15241	BOLT, 7/16 X 1-1/2" CARRIAGE	6	6	6
15052	NUT, 7/16" SERR. FLANGE	50	58	66

PARTS LISTS

MACDON WINDROWERS & HEADERS

WINDROWER: 5010, 5020 MOWER/COND., 912 AUGER HEADERS

DESCRIPTION		12 FT. SINGLE DRIVE	14 FT. SINGLE DRIVE	16 FT. SINGLE DRIVE
GOLD'N CUT COMPLETE SYSTEM (BC)		29568	29571	29565
COMPLETE SICKLE		29510	29513	23973
-LEFT HAND SICKLE		29399-00	29399-00	29399-00
-RIGHT HAND SICKLE		29375-00	29378-00	29384-00
GOLD'N CUT COMPLETE SYSTEM (TS)		29569	29572	29566
COMPLETE SICKLE		29511	29514	28932
-LEFT HAND SICKLE		29411-00	29411-00	29411-00
-RIGHT HAND SICKLE		29376-00	29379-00	29385-00
GOLD'N CUT COMPLETE SYSTEM (US)		29570	29573	29567
COMPLETE SICKLE		29512	29515	28940
-LEFT HAND SICKLE		29412-00	29412-00	29412-00
-RIGHT HAND SICKLE		29377-00	29380-00	29386-00
PART #	DESCRIPTION	QTY	QTY	QTY
7228	GUARD, GOLD	22	26	31
22063	GUARD, HEAD	3	3	2
16918	SECTION, GOLD (BC)	49	57	65
17877	SECTION, GOLD (TS)	49	57	65
17878	SECTION, GOLD (US)	49	57	65
24979	SECTION, HALF-LH (BC)	1	1	1
25466-00	SECTION, HALF-LH (TS)	1	1	1
29414-00	SECTION, HALF-LH (US)	1	1	1
24980	SECTION, HALF-RH (BC)	1	1	1
25467-00	SECTION, HALF-RH (TS)	1	1	1
29374-00	SECTION, HALF-RH (US)	1	1	1
24338	HOLD DOWN (SPRING LOADED)	22	26	30
15061	BOLT, 7/16 X 1-3/4" CARRIAGE	44	52	60
15241	BOLT, 7/16 X 1-1/2" CARRIAGE	6	6	6
15052	NUT, 7/16" SERR. FLANGE	50	58	66

MACDON WINDROWERS & HEADERS

WINDROWER: 972 & 973 HARVEST HEADERS, CNH 2062, 974 FLEX DRAPER

DESCRIPTION		21 FT. SINGLE DRIVE	25 FT. SINGLE DRIVE	30 FT. SINGLE DRIVE	36 FT. SINGLE DRIVE	39 FT. SINGLE DRIVE
GOLD'N CUT COMPLETE SYSTEM (BC)		29589	29592	29595	29598	29601
COMPLETE SICKLE		29519	29519	29522	29525	29528
-LEFT HAND SICKLE		29399-00	29399-00	29399-00	29399-00	29399-00
-CENTER SICKLE		23951	23951	23951 (2)	23951 (3)	23951 (3)
-RIGHT HAND SICKLE		29375-00	29384-00	29390-00	29393-00	29390-00
GOLD'N CUT COMPLETE SYSTEM (TS)		29590	29593	29596	29599	29602
COMPLETE SICKLE		29517	29520	29523	29526	29529
-LEFT HAND SICKLE		29411-00	29411-00	29411-00	29411-00	29411-00
-CENTER SICKLE		28909	28909	28909 (2)	28909 (3)	28909 (3)
-RIGHT HAND SICKLE		29376-00	29385-00	29391-00	29394-00	29391-00
GOLD'N CUT COMPLETE SYSTEM (US)		29591	29594	29597	29600	29603
COMPLETE SICKLE		29518	29521	29524	29527	29530
-LEFT HAND SICKLE		29412-00	29412-00	29412-00	29412-00	29412-00
-CENTER SICKLE		28920	28920	28920 (2)	28920 (3)	28920 (3)
-RIGHT HAND SICKLE		29377-00	29386-00	29392-00	29395-00	29392-00
PART #	DESCRIPTION	QTY	QTY	QTY	QTY	QTY
7228	GUARD, GOLD	37	45	55	67	72
22063	GUARD, HEAD	3	3	3	3	3
18644-00	GUARD, MACDON SPECIAL LH	1	1	1	1	1
18645-00	GUARD, MACDON SPECIAL RH	1	1	1	1	1
16918	SECTION, GOLD (BC)	83	99	119	143	153
17877	SECTION, GOLD (TS)	83	99	119	143	153
17878	SECTION, GOLD (US)	83	99	119	143	153
24979	SECTION, HALF-LH (BC)	1	1	1	1	1
25466-00	SECTION, HALF-LH (TS)	1	1	1	1	1
29414-00	SECTION, HALF-LH (US)	1	1	1	1	1
24980	SECTION, HALF-RH (BC)	1	1	1	1	1
25467-00	SECTION, HALF-RH (TS)	1	1	1	1	1
29374-00	SECTION, HALF-RH (US)	1	1	1	1	1
24338	HOLD DOWN (SPRING LOADED)	19	23	28	34	36
24911	HOLD DOWN (SPRING LOADED HEAD)	1	1	1	1	1
22523	SHIM (.010)	40	48	58	70	74
22524	SHIM (.024)	20	24	29	35	37
21256	SHIM (.036)	40	48	58	70	74
15061	BOLT, 7/16 X 1-3/4" CARRIAGE	44	52	62	74	80
15082	BOLT, 7/16 X 2" CARRIAGE	40	48	58	70	74
15052	NUT, 7/16" SERR. FLANGE	84	100	120	144	154

MACDON WINDROWERS & HEADERS

WINDROWER: 972 HARVEST HEADER

DESCRIPTION	12 FT. DOUBLE DRIVE	15 FT. DOUBLE DRIVE	18 FT. DOUBLE DRIVE	21 FT. DOUBLE DRIVE	25 FT. DOUBLE DRIVE	30 FT. DOUBLE DRIVE	36 FT. DOUBLE DRIVE
GOLD'N CUT COMPLETE SYSTEM (BC)	25311	29620	29627	25990	25991	25992	25993
COMPLETE SICKLE	24997	29542	29545	25986	25987	25988	25989
-LEFT HAND SICKLE	29444-00	29453-00	-	-	-	-	-
-L-LEFT HAND SICKLE	-	-	29429-00	29429-00	29429-00	29429-00	29429-00
-R-LEFT HAND SICKLE	-	-	29457-00	29465-00	29471-00	29477-00	29483-00
-CENTER SICKLE	-	-	-	-	-	-	23951 (2)
-RIGHT HAND SICKLE	29449-00	24995	29426-00	-	-	-	-
-R-RIGHT HAND SICKLE	-	-	-	24987	24987	24987	24987
-L-RIGHT HAND SICKLE	-	-	-	25973-00	25984-00	25985-00	24989
GOLD'N CUT COMPLETE SYSTEM (TS)	29616	29621	29628	29630	29632	29634	29636
COMPLETE SICKLE	29531	29543	29546	29548	29550	29552	29554
-LEFT HAND SICKLE	29446-00	29454-00	-	-	-	-	-
-L-LEFT HAND SICKLE	-	-	25465-00	25465-00	25465-00	25465-00	25465-00
-R-LEFT HAND SICKLE	-	-	25458-00	29466-00	29472-00	29478-00	29484-00
-CENTER SICKLE	-	-	-	-	-	-	28909 (2)
-RIGHT HAND SICKLE	29450-00	25475-00	29427-00	-	-	-	-
-R-RIGHT HAND SICKLE	-	-	-	25469-00	25469-00	25469-00	25469-00
-L-RIGHT HAND SICKLE	-	-	-	29462-00	29468-00	29474-00	29480-00
GOLD'N CUT COMPLETE SYSTEM (US)	29617	29622	29629	29631	29633	29635	29637
COMPLETE SICKLE	29532	29544	29547	29549	29551	29553	29555
-LEFT HAND SICKLE	29448-00	29455-00	-	-	-	-	-
-L-LEFT HAND SICKLE	-	-	29422-00	29422-00	29422-00	29422-00	29422-00
-R-LEFT HAND SICKLE	-	-	29459-00	29467-00	29473-00	29479-00	29485-00
-CENTER SICKLE	-	-	-	-	-	-	28920 (2)
-RIGHT HAND SICKLE	29451-00	29433-00	29428-00	-	-	-	-
-R-RIGHT HAND SICKLE	-	-	-	29461-00	29461-00	29461-00	29461-00
-L-RIGHT HAND SICKLE	-	-	-	29463-00	29469-00	29475-00	29481-00

MACDON WINDROWERS & HEADERS

WINDROWER: 972 HARVEST HEADER (CONTINUED)

PART #	DESCRIPTION	QTY	QTY	QTY	QTY	QTY	QTY	QTY
7228	GUARD, GOLD	16	21	27	33	41	51	63
22063	GUARD, HEAD	6	6	6	6	6	6	6
18644-00	GUARD, MACDON SPECIAL LH	1	1	1	1	1	1	1
18645-00	GUARD, MACDON SPECIAL RH	1	1	1	1	1	1	1
18646-00	GUARD, MACDON BOTTOM STUB CENTER	1	1	1	1	1	1	1
18647-00	GUARD, MACDON TOP STUB CENTER	1	1	1	1	1	1	1
16918	SECTION, GOLD (BC)	44	55	68	80	96	116	140
17877	SECTION, GOLD (TS)	44	55	68	80	96	116	140
17878	SECTION, GOLD (US)	44	55	68	80	96	116	140
24979	SECTION, HALF-LH (BC)	1	1	1	1	1	1	1
25466-00	SECTION, HALF-LH (TS)	1	1	1	1	1	1	1
29414-00	SECTION, HALF-LH (US)	1	1	1	1	1	1	1
24980	SECTION, HALF-RH (BC)	1	1	1	1	1	1	1
25467-00	SECTION, HALF-RH (TS)	1	1	1	1	1	1	1
29374-00	SECTION, HALF-RH (US)	1	1	1	1	1	1	1
25963-00	SECTION, OVERLAP (SAWTOOTH)	4	4	4	4	4	4	4
24338	HOLD DOWN (SPRING LOADED)	20	25	31	37	45	55	67
24911	HOLD DOWN (SPRING LOADED HEAD)	4	4	4	4	4	4	4
29440-00	OVERLAP STRAP	1	1	1	1	1	1	1
18648-00	BAR, GUARD ADJUSTER	1	1	1	1	1	1	1
15006	BOLT, 3/8 X 1" HEX HD GR5 ZP	3	3	3	3	3	3	3
15033	BOLT, 7/16 X 2-1/2" CARRIAGE	2	2	2	2	2	2	2
15061	BOLT, 7/16 X 1-3/4" CARRIAGE (BC)	48	58	70	82	98	118	142
15061	BOLT, 7/16 X 1-3/4" CARRIAGE (TS, US)	46	58	70	82	98	118	142
15241	BOLT, 7/16 X 1-1/2" CARRIAGE (TS, US)	2	-	-	-	-	-	-
15052	NUT, 7/16" SERR. FLANGE	50	60	72	84	100	120	144

PARTS LISTS

MACDON WINDROWERS & HEADERS

WINDROWER: 3000 & 3020 PT WR'S, JD 590 (30'), MF 613

DESCRIPTION		21 FT. SINGLE DRIVE	25 FT. SINGLE DRIVE	30 FT. SINGLE DRIVE	36 FT. SINGLE DRIVE
KINGKUT COMPLETE SYSTEM		29725	29726	29727	29728
COMPLETE SICKLE		29683	29684	29685	29686
-LEFT HAND SICKLE		29646-00	29646-00	29646-00	29646-00
-CENTER SICKLE		29647-00	29647-00	29647-00 (2)	29647-00 (3)
-RIGHT HAND SICKLE		29648-00	29649-00	29650-00	29651-00
PART #	DESCRIPTION	QTY	QTY	QTY	QTY
7228	GUARD, GOLD	40	48	58	70
22063	GUARD, HEAD	3	3	3	3
18650	SECTION, KINGKUT	83	99	119	143
24980	SECTION, HALF-RH	1	1	1	1
23949	SECTION, HALF-LH	1	1	1	1
24338	HOLD DOWN (SPRING LOADED)	40	48	58	70
22523	SHIM (.010)	80	96	116	140
22524	SHIM (.024)	40	48	58	70
21256	SHIM (.036)	80	96	116	140
15061	BOLT, 7/16 X 1-3/4" CARRIAGE	80	96	116	140
15241	BOLT, 7/16 X 1-1/2" CARRIAGE	6	6	6	6
15052	NUT, 7/16" SERR. FLANGE	86	102	122	146

WINDROWER: RENN 1000, JD 580, MF 35, WHITE 601

DESCRIPTION		15 FT. SINGLE DRIVE	18 FT. SINGLE DRIVE	21 FT. SINGLE DRIVE	25 FT. SINGLE DRIVE
KINGKUT COMPLETE SYSTEM		29729	29730	29731	29732
COMPLETE SICKLE		29687	29688	29689	29690
-LEFT HAND SICKLE		29646-00	29646-00	29646-00	29646-00
-CENTER SICKLE		-	29647-00	29647-00	29647-00
-RIGHT HAND SICKLE		29652-00	29653-00	29654-00	29655-00
PART #	DESCRIPTION	QTY	QTY	QTY	QTY
7228	GUARD, GOLD	28	34	40	48
22063	GUARD, HEAD	3	3	3	3
18650	SECTION, KINGKUT	59	72	84	100
23949	SECTION, HALF-LH	1	1	1	1
24980	SECTION, HALF-RH	1	1	1	1
24338	HOLD DOWN (SPRING LOADED)	28	34	40	48
22523	SHIM (.010)	56	68	80	96
22524	SHIM (.024)	28	34	40	48
21256	SHIM (.036)	56	68	80	96
15061	BOLT, 7/16 X 1-3/4" CARRIAGE	56	68	80	96
15241	BOLT, 7/16 X 1-1/2" CARRIAGE	6	6	6	6
15052	NUT, 7/16" SERR. FLANGE	62	74	86	102

MACDON WINDROWERS & HEADERS**WINDROWER: RENN 2000, MF 655, 775, 785, NH 1090, WHITE 6200**

DESCRIPTION		12 FT. SINGLE DRIVE	15 FT. SINGLE DRIVE	18 FT. SINGLE DRIVE	24 FT. SINGLE DRIVE
KINGKUT COMPLETE SYSTEM		29733	29729	29734	29725
COMPLETE SICKLE		29691	29687	29692	29683
-LEFT HAND SICKLE		29646-00	29646-00	29646-00	29646-00
-CENTER SICKLE		-	-	29647-00	29647-00
-RIGHT HAND SICKLE		29656-00	29652-00	29657-00	29648-00
PART #	DESCRIPTION	QTY	QTY	QTY	QTY
7228	GUARD, GOLD	22	28	34	40
22063	GUARD, HEAD	3	3	3	3
18650	SECTION, KINGKUT	47	59	71	83
23949	SECTION, HALF-LH	1	1	1	1
24980	SECTION, HALF-RH	1	1	1	1
24338	HOLD DOWN (SPRING LOADED)	22	28	34	40
22523	SHIM (.010)	44	56	68	80
22524	SHIM (.024)	22	28	34	40
21256	SHIM (.036)	44	56	68	80
15061	BOLT, 7/16 X 1-3/4" CARRIAGE	44	56	68	80
15241	BOLT, 7/16 X 1-1/2" CARRIAGE	6	6	6	6
15052	NUT, 7/16" SERR. FLANGE	50	62	74	86

WINDROWER: 960, 7000 WR W/DRAPER HEAD, MULTI-CROP HEADER, HARVESTER HEADER

DESCRIPTION		15 FT. SINGLE DRIVE	18 FT. SINGLE DRIVE	21 FT. SINGLE DRIVE	25 FT. SINGLE DRIVE	30 FT. SINGLE DRIVE
KINGKUT COMPLETE SYSTEM		29729	29734	29725	29726	29727
COMPLETE SICKLE		29687	29692	29683	29684	29685
-LEFT HAND SICKLE		29646-00	29646-00	29646-00	29646-00	29646-00
-CENTER SICKLE		-	29647-00	29647-00	26647-00	29647-00 (2)
-RIGHT HAND SICKLE		29652-00	29657-00	29648-00	29649-00	29650-00
PART #	DESCRIPTION	QTY	QTY	QTY	QTY	QTY
7228	GUARD, GOLD	28	34	40	48	58
22063	GUARD, HEAD	3	3	3	3	3
18650	SECTION, KINGKUT	59	71	83	99	119
23949	SECTION, HALF-LH	1	1	1	1	1
24980	SECTION, HALF-RH	1	1	1	1	1
24338	HOLD DOWN (SPRING LOADED)	28	34	40	48	58
22523	SHIM (.010)	56	68	80	96	116
22524	SHIM (.024)	28	34	40	48	58
21256	SHIM (.036)	56	68	80	96	116
15061	BOLT, 7/16 X 1-3/4" CARRIAGE	56	68	80	96	116
15241	BOLT, 7/16 X 1-1/2" CARRIAGE	6	6	6	6	6
15052	NUT, 7/16" SERR. FLANGE	62	74	86	102	122

PARTS LISTS

MACDON WINDROWERS & HEADERS

WINDROWER: 4000 MOWER/COND.

DESCRIPTION		9 FT. SINGLE DRIVE
KINGKUT COMPLETE SYSTEM		29735
COMPLETE SICKLE		29693
-LEFT HAND SICKLE		29658-00
-RIGHT HAND SICKLE		29657-00
PART #	DESCRIPTION	QTY
7228	GUARD, GOLD	17
22063	GUARD, HEAD	2
18650	SECTION, KINGKUT	37
23979	SECTION, HALF-LH	1
24980	SECTION, HALF-RH	1
24338	HOLD DOWN (SPRING LOADED)	16
22523	SHIM (.010)	32
22524	SHIM (.024)	16
21256	SHIM (.036)	32
15061	BOLT, 7/16 X 1-3/4" CARRIAGE	32
15241	BOLT, 7/16 X 1-1/2" CARRIAGE	6
15052	NUT, 7/16" SERR. FLANGE	38

WINDROWER: 942 MULTI-CROP HEADER

DESCRIPTION		12 FT. SINGLE DRIVE	15 FT. SINGLE DRIVE	18 FT. SINGLE DRIVE
KINGKUT COMPLETE SYSTEM		29736	29750	29751
COMPLETE SICKLE		29694	29706	29707
-LEFT HAND SICKLE		29658-00	29661-00	-
-L-LEFT HAND SICKLE		-	-	29663-00
-R-LEFT HAND SICKLE		-	-	29664-00
-RIGHT HAND SICKLE		29656-00	29662-00	29665-00
PART #	DESCRIPTION	QTY	QTY	QTY
7228	GUARD, GOLD	22	25	31
22063	GUARD, HEAD	2	4	4
25315	GUARD, MACDON CENTER	-	1	1
18650	SECTION, KINGKUT	47	56	68
23979	SECTION, HALF-LH	1	1	1
24980	SECTION, HALF-RH	1	1	1
25963-00	SECTION, OVERLAP (SAWTOOTH)	-	4	4
24338	HOLD DOWN (SPRING LOADED)	22	26	32
22523	SHIM (.010)	44	52	64
22524	SHIM (.024)	22	26	32
21256	SHIM (.036)	44	52	64
15061	BOLT, 7/16 X 1-3/4" CARRIAGE	44	52	64
15241	BOLT, 7/16 X 1-1/2" CARRIAGE	4	8	8
15052	NUT, 7/16" SERR. FLANGE	48	60	72

MACDON WINDROWERS & HEADERS**WINDROWER: 962, 963 HARVEST HEADERS**

DESCRIPTION		30 FT. SINGLE DRIVE	36 FT. SINGLE DRIVE
KINGKUT COMPLETE SYSTEM		29737	29738
COMPLETE SICKLE		29695	29696
-LEFT HAND SICKLE		29658-00	29658-00
-CENTER SICKLE		29647-00 (2)	29647-00 (3)
-RIGHT HAND SICKLE		29650-00	29651-00
PART #	DESCRIPTION	QTY	QTY
7228	GUARD, GOLD	56	68
22063	GUARD, HEAD	4	4
18650	SECTION, KINGKUT	119	143
24979	SECTION, HALF-LH	1	1
24980	SECTION, HALF-RH	1	1
24338	HOLD DOWN (SPRING LOADED)	31	37
24911	HOLD DOWN (SPRING LOADED HEAD)	1	1
22523	SHIM (.010)	64	76
22524	SHIM (.024)	32	38
21256	SHIM (.036)	64	76
15061	BOLT, 7/16 X 1-3/4" CARRIAGE	64	76
15241	BOLT, 7/16 X 1-1/2" CARRIAGE	56	68
15052	NUT, 7/16" SERR. FLANGE	120	144

WINDROWER: 5000 MOWER/COND.

DESCRIPTION		12 FT. SINGLE DRIVE	14 FT. SINGLE DRIVE	16 FT. SINGLE DRIVE
KINGKUT COMPLETE SYSTEM		29739	29740	29741
COMPLETE SICKLE		29697	29698	29699
-LEFT HAND SICKLE		29659-00	29659-00	29659-00
-RIGHT HAND SICKLE		29648-00	29660-00	29649-00
PART #	DESCRIPTION	QTY	QTY	QTY
7228	GUARD, GOLD	23	27	31
22063	GUARD, HEAD	2	2	2
18650	SECTION, KINGKUT	49	57	65
24979	SECTION, HALF-LH	1	1	1
24980	SECTION, HALF-RH	1	1	1
24338	HOLD DOWN (SPRING LOADED)	22	26	30
22523	SHIM (.010)	44	52	60
22524	SHIM (.024)	22	26	30
21256	SHIM (.036)	44	52	60
15061	BOLT, 7/16 X 1-3/4" CARRIAGE	44	52	60
15241	BOLT, 7/16 X 1-1/2" CARRIAGE	6	6	6
15052	NUT, 7/16" SERR. FLANGE	50	58	66

PARTS LISTS

MACDON WINDROWERS & HEADERS				
WINDROWER: 5010, 5020 MOWER/COND., 912 AUGER HEADERS				
DESCRIPTION		12 FT. SINGLE DRIVE	14 FT. SINGLE DRIVE	16 FT. SINGLE DRIVE
KINGKUT COMPLETE SYSTEM		29742	29743	29744
COMPLETE SICKLE		29700	29701	29702
-LEFT HAND SICKLE		29658-00	29658-00	29658-00
-RIGHT HAND SICKLE		29648-00	29660-00	29649-00
PART #	DESCRIPTION	QTY	QTY	QTY
7228	GUARD, GOLD	22	26	31
22063	GUARD, HEAD	3	3	2
18650	SECTION, KINGKUT	49	57	65
24979	SECTION, HALF-LH	1	1	1
24980	SECTION, HALF-RH	1	1	1
24338	HOLD DOWN (SPRING LOADED)	22	26	30
22523	SHIM (.010)	44	52	60
22524	SHIM (.024)	22	26	30
21256	SHIM (.036)	44	52	60
15061	BOLT, 7/16 X 1-3/4" CARRIAGE	44	52	60
15241	BOLT, 7/16 X 1-1/2" CARRIAGE	6	6	6
15052	NUT, 7/16" SERR. FLANGE	50	58	66

WINDROWER: 972, 973 HARVEST HEADERS						
DESCRIPTION		21 FT. SINGLE DRIVE	25 FT. SINGLE DRIVE	30 FT. SINGLE DRIVE	36 FT. SINGLE DRIVE	39 FT. SINGLE DRIVE
KINGKUT COMPLETE SYSTEM		29745	29746	29747	29748	29749
COMPLETE SICKLE		29703	29704	29695	29696	29705
-LEFT HAND SICKLE		29658-00	29658-00	29658-00	29658-00	29658-00
-CENTER SICKLE		29647-00	29647-00	29647-00 (2)	29647-00 (3)	29647-00 (3)
-RIGHT HAND SICKLE		29648-00	29649-00	29650-00	29651-00	29650-00
PART #	DESCRIPTION	QTY	QTY	QTY	QTY	QTY
7228	GUARD, GOLD	37	45	55	67	72
22063	GUARD, HEAD	3	3	3	3	3
18644-00	GUARD, MACDON SPECIAL LH	1	1	1	1	1
18645-00	GUARD, MACDON SPECIAL RH	1	1	1	1	1
18650	SECTION, KINGKUT	83	99	119	143	153
24979	SECTION, HALF-LH	1	1	1	1	1
24980	SECTION, HALF-RH	1	1	1	1	1
24338	HOLD DOWN (SPRING LOADED)	19	23	28	34	36
24911	HOLD DOWN (SPRING LOADED HEAD)	1	1	1	1	1
22523	SHIM (.010)	40	48	58	70	74
22524	SHIM (.024)	20	24	29	35	37
21256	SHIM (.036)	40	48	58	70	74
15061	BOLT, 7/16 X 1-3/4" CARRIAGE	44	52	62	74	80
15082	BOLT, 7/16 X 2" CARRIAGE	40	48	58	70	74
15052	NUT, 7/16" SERR. FLANGE	84	100	120	144	154

MACDON WINDROWERS & HEADERS**WINDROWER: 7000 & 9000 WINDROWER W/910, 920, 922 AUGER HEADER**

DESCRIPTION		14 FT. SINGLE DRIVE	15 FT. SINGLE DRIVE	18 FT. SINGLE DRIVE
KINGKUT COMPLETE SYSTEM		29752	29753	29754
COMPLETE SICKLE		29708	29709	29707
-LEFT HAND SICKLE		29661-00	29667-00	-
-L-LEFT HAND SICKLE		-	-	29663-00
-R-LEFT HAND SICKLE		-	-	29664-00
-RIGHT HAND SICKLE		29666-00	29668-00	29665-00
PART #	DESCRIPTION	QTY	QTY	QTY
7228	GUARD, GOLD	22	26	29
22063	GUARD, HEAD	6	6	6
18647-00	GUARD, MACDON TOP STUB CENTER	1	1	1
18655-00	GUARD, MACDON CENTER	1	1	1
18650	SECTION, KINGKUT	54	62	58
24979	SECTION, HALF-LH	1	1	1
24980	SECTION, HALF-RH	1	1	1
25963-00	SECTION, OVERLAP (SAWTOOTH)	4	4	4
24338	HOLD DOWN (SPRING LOADED)	22	26	29
18648-00	BAR, GUARD ADJUSTER	1	1	1
22523	SHIM (.010)	44	52	58
22524	SHIM (.024)	22	26	29
21256	SHIM (.036)	44	52	58
15006	BOLT, 3/8 X 1" HEX HD GR5 ZP	3	3	3
15033	BOLT, 7/16 X 2-1/2" CARRIAGE	2	2	2
15061	BOLT, 7/16 X 1-3/4" CARRIAGE	44	52	58
15241	BOLT, 7/16 X 1-1/2" CARRIAGE	12	12	12
15052	NUT, 7/16" SERR. FLANGE	58	66	72

PARTS LISTS

MACDON WINDROWERS & HEADERS								
WINDROWER: 972 HARVEST HEADERS								
DESCRIPTION	12 FT. DOUBLE DRIVE	15 FT. DOUBLE DRIVE	18 FT. DOUBLE DRIVE	21 FT. DOUBLE DRIVE	25 FT. DOUBLE DRIVE	30 FT. DOUBLE DRIVE	36 FT. DOUBLE DRIVE	
KINGKUT COMPLETE SYSTEM	29755	29756	29757	29758	29759	29760	29761	
COMPLETE SICKLE	29710	29711	29712	29713	29714	29715	29716	
-LEFT HAND SICKLE	29669-00	29672-00	-	-	-	-	-	
-L-LEFT HAND SICKLE	-	-	29663-00	29663-00	29663-00	29663-00	29663-00	
-R-LEFT HAND SICKLE	-	-	29673-00	29674-00	29677-00	29679-00	29681-00	
-CENTER SICKLE	-	-	-	-	-	-	29647-00	
-RIGHT HAND SICKLE	29671-00	29666-00	29665-00	-	29675-00	29675-00	29675-00	
-R-RIGHT HAND SICKLE	-	-	-	29675-00	29678-00	29680-00	29682-00	
-L-RIGHT HAND SICKLE	-	-	-	29676-00	-	-	-	
PART #	DESCRIPTION	QTY	QTY	QTY	QTY	QTY	QTY	
7228	GUARD, GOLD	16	21	27	33	41	51	63
22063	GUARD, HEAD	6	6	6	6	6	6	6
18644-00	GUARD, MACDON SPECIAL LH	1	1	1	1	1	1	1
18645-00	GUARD, MACDON SPECIAL RH	1	1	1	1	1	1	1
18646-00	GUARD, MACDON BOTTOM STUB CENTER	1	1	1	1	1	1	1
18647-00	GUARD, MACDON TOP STUB CENTER	1	1	1	1	1	1	1
18650	SECTION, KINGKUT	44	55	68	80	96	116	140
24979	SECTION, HALF-LH	1	1	1	1	1	1	1
24980	SECTION, HALF-RH	1	1	1	1	1	1	1
25963-00	SECTION, OVERLAP (SAW- TOOTH)	4	4	4	4	4	4	4
24338	HOLD DOWN (SPRING LOADED)	20	25	31	37	45	55	67
24911	HOLD DOWN (SPRING LOADED HEAD)	4	4	4	4	4	4	4
29440-00	OVERLAP STRAP	1	1	1	1	1	1	1
18648-00	BAR, GUARD ADJUSTER	1	1	1	1	1	1	1
22523	SHIM (.010)	48	58	70	82	98	118	142
22524	SHIM (.024)	24	29	35	41	49	59	71
21256	SHIM (.036)	48	58	70	82	98	118	142
15006	BOLT, 3/8 X 1" HEX HD GR5 ZP	3	3	3	3	3	3	3
15033	BOLT, 7/16 X 2-1/2" CAR- RIAGE	2	2	2	2	2	2	2
15061	BOLT, 7/16 X 1-3/4" CAR- RIAGE	48	58	70	82	98	118	142
15052	NUT, 7/16" SERR. FLANGE	50	60	72	84	100	120	144

**NEW IDEA HAY MACHINES
OWATONNA HAY MACHINES**

MOWER: 10, 20, 30, 40, 41, 250, 251, 252, 253, 254, 255

DESCRIPTION		7 FT.
GOLD'N CUT COMPLETE SYSTEM (BC)		28691
COMPLETE SICKLE		28689
-LEFT HAND SICKLE		28689
GOLD'N CUT COMPLETE SYSTEM (US)		28692
COMPLETE SICKLE		28690
-LEFT HAND SICKLE		28690
PART #	DESCRIPTION	QTY
7228	GUARD, GOLD	11
22063	GUARD, HEAD	3
17367	SECTION, GOLD (TS)	28
17368	SECTION, GOLD (US)	28
24338	HOLD DOWN (SPRING LOADED)	5
24911	HOLD DOWN (SPRING LOADED HEAD)	1
15241	BOLT, 7/16 X 1-1/2" CARRIAGE	16
15061	BOLT, 7/16 X 1-3/4" CARRIAGE	12
15052	NUT, 7/16" SERR. FLANGE	28

MOWER/CONDITIONER: 208, 216, 217, 235, SWING-TONGUE (12'-14'), 229 (9.5')

WINDROWER: 260, 265, 270, 275, 280, 282, 285, 800, 900 (10'-20')

NOTE: GUARD BOLT SIZE MUST BE 7/16" TO USE CRARY GUARD

DESCRIPTION		7 FT.	9.5 FT.	10 FT.	12 FT.	14 FT.	16 FT.	20 FT.
GOLD'N CUT COMPLETE SYSTEM (BC)		28394	28395	28397	28398	28399	28400	28401
COMPLETE SICKLE		28424	28357	28358	28359	28381	28361	28363
-LEFT HAND SICKLE		28424	28440	28440	28440	28440	28440	28440
-CENTER SICKLE		-	-	-	-	-	-	28106
-RIGHT HAND SICKLE		-	28444	28404	28110	28109	28107	28405
GOLD'N CUT COMPLETE SYSTEM (US)		28877	28878	28879	28880	28881	28882	28883
COMPLETE SICKLE		28850	28852	28853	28854	28876	28856	28858
-LEFT HAND SICKLE		28850	28518	28518	28518	28518	28518	28518
-CENTER SICKLE		-	-	-	-	-	-	28500
-RIGHT HAND SICKLE		-	28507	28658	28505	28504	28501	28847
PART #	DESCRIPTION	QTY	QTY	QTY	QTY	QTY	QTY	QTY
7228	GUARD, GOLD	15	19	21	25	29	33	41
17367	SECTION, GOLD (TS)	28	32	36	44	52	60	76
17368	SECTION, GOLD (US)	28	32	36	44	52	60	76
22836	SECTION, HALF-LH (TS)	1	1	1	1	1	1	1
22837	SECTION, HALF-LH (US)	1	1	1	1	1	1	1
24746	SECTION, HEAD (TS)	-	4	4	4	4	4	4
24745	SECTION, HEAD (US)	-	4	4	4	4	4	4
17339	SECTION, H & S END-RH (TS)	1	1	1	1	1	1	1
17884	SECTION, H & S END-RH (US)	1	1	1	1	1	1	1
24338	HOLD DOWN (SPRING LOADED)	6	8	9	11	13	15	19
24911	HOLD DOWN (SPRING LOADED HEAD)	1	1	1	1	1	1	1
22523	SHIM (.010)	7	9	10	12	14	16	20
22524	SHIM (.024)	7	9	10	12	14	16	20
21842	SHIM (3/16)	15	19	21	25	29	33	41
15241	BOLT, 7/16 X 1-1/2" CARRIAGE	16	20	22	26	30	34	42
15061	BOLT, 7/16 X 1-3/4" CARRIAGE	14	18	20	24	28	32	40
15052	NUT, 7/16" SERR. FLANGE	30	38	42	50	58	66	82

PARTS LISTS

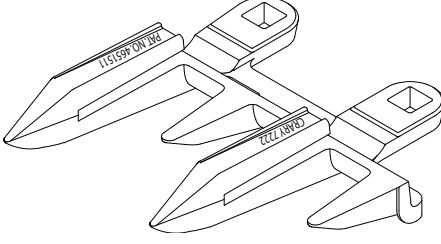
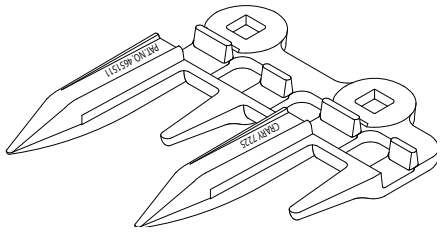
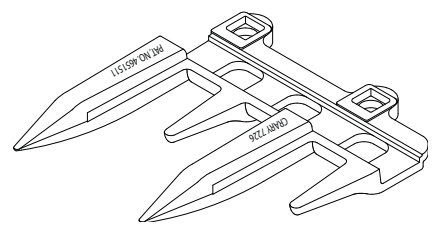
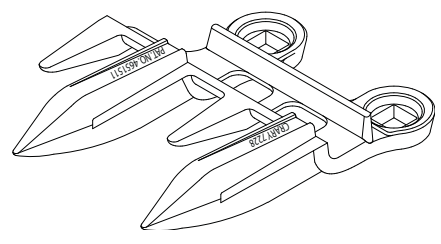
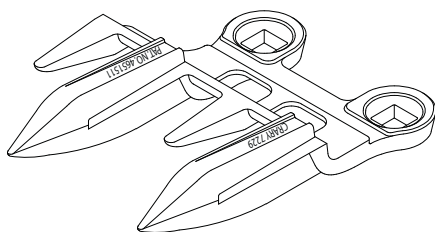
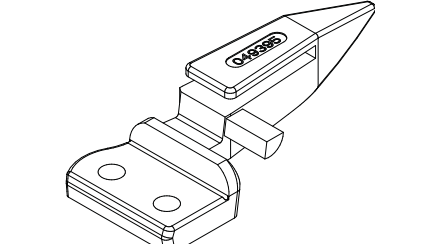
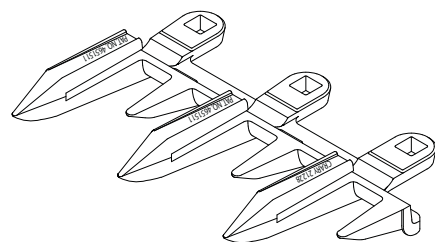
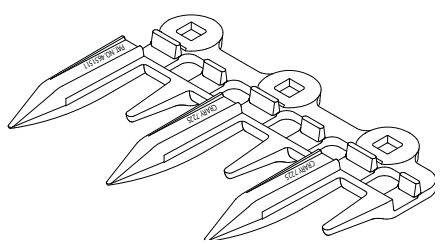
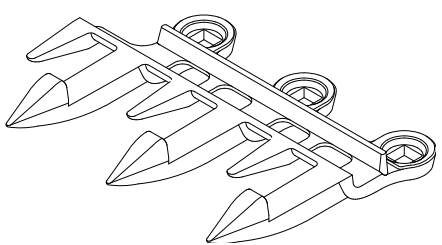
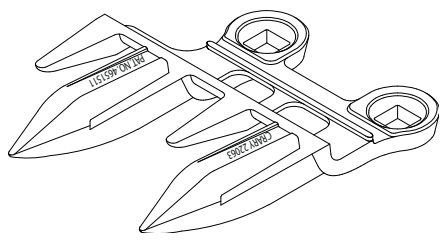
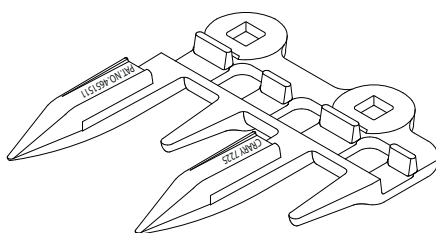
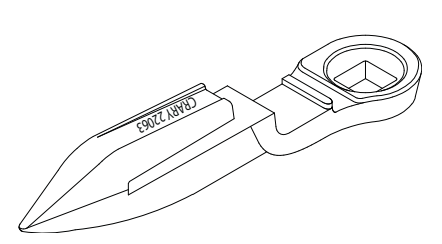
VERSATILE HAY MACHINES

WINDROWER: 400, 4400, 4700

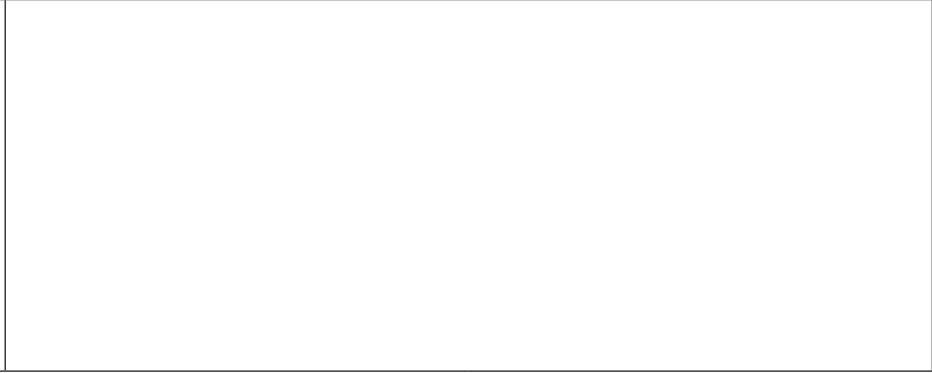
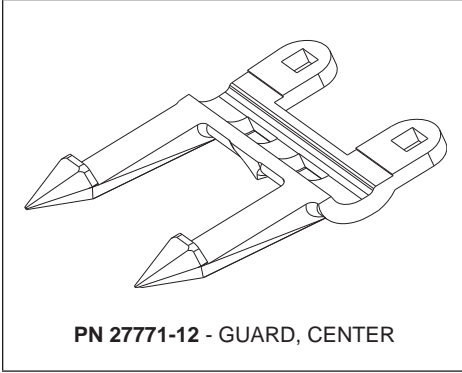
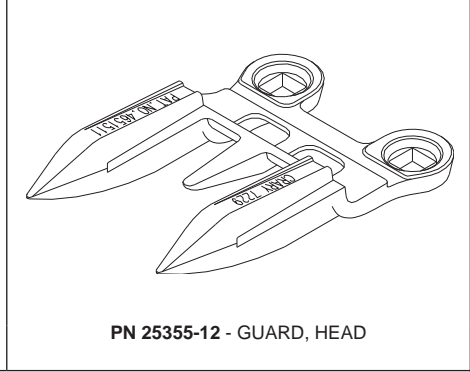
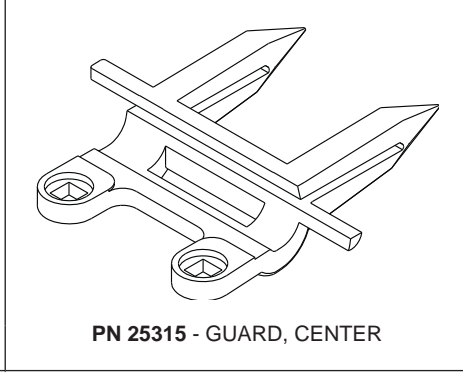
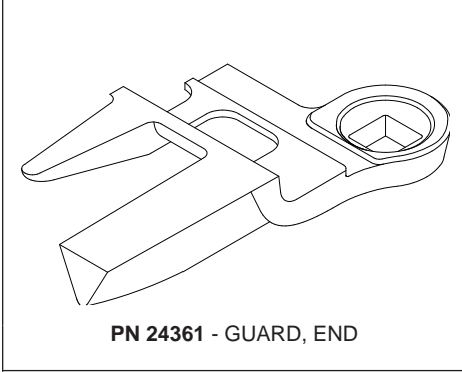
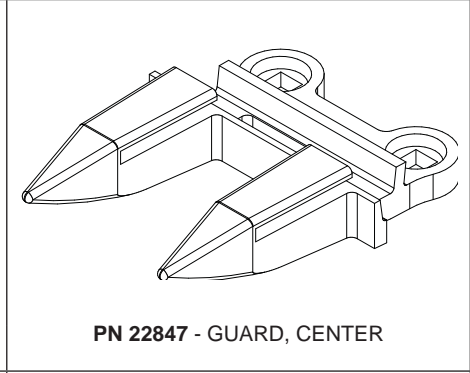
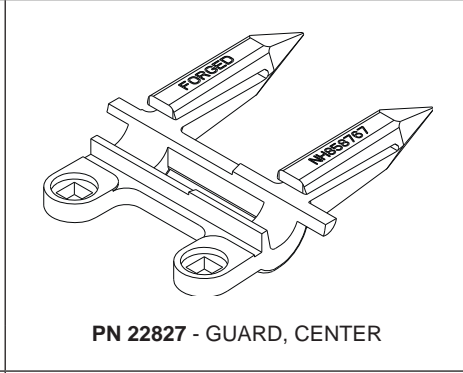
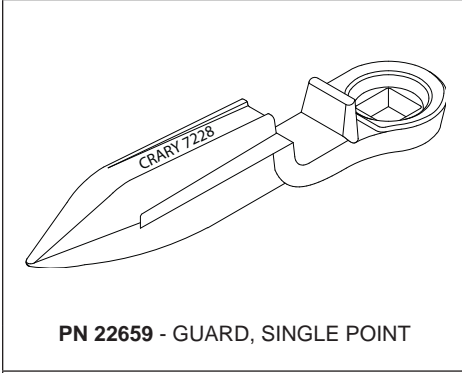
NOTE: GOLD'N CUT COMPONENTS WILL NOT INTERCHANGE WITH OEM VERSATILE. WHEN CHANGING TO CRARY COMPONENTS, THE ENTIRE OEM SYSTEM MUST BE CHANGED.

DESCRIPTION		12 FT.	15 FT.	18 FT.	20 FT.	22 FT.	24 FT.	25 FT.	27 FT.	30 FT.
GOLD'N CUT COMPLETE SYSTEM (TS)		28701	28702	28703	28704	28705	28706	29010	29012	29014
COMPLETE SICKLE		28695	28696	28697	28698	28699	28700	29004	29006	29008
	-LEFT HAND SICKLE	28707	28707	28707	28707	28707	28707	28707	28707	28707
	-CENTER HAND SICKLE	-	-	28106	28106	28106	28106	28106	28106 (2)	28106 (2)
	-RIGHT HAND SICKLE	28110	28709	28712	28711	28710	28708	28998	29002	29000
GOLD'N CUT COMPLETE SYSTEM (US)		28651	28652	28653	28654	28655	28656	29011	29013	29015
COMPLETE SICKLE		28645	28646	28647	28648	28649	28650	29005	29007	29009
	-LEFT HAND SICKLE	28745	28745	28745	28745	28745	28745	28745	28745	28745
	-CENTER SICKLE	-	-	28500	28500	28500	28500	28500	28500 (2)	28500 (2)
	-RIGHT HAND SICKLE	28505	28747	28750	28749	28748	28746	28999	29003	29001
PART #	DESCRIPTION	QTY	QTY	QTY	QTY	QTY	QTY	QTY	QTY	QTY
7222	GUARD, GOLD	24	30	36	40	44	48	50	54	60
17367	SECTION, GOLD (TS)	48	60	72	80	88	96	100	108	120
17368	SECTION, GOLD (US)	48	60	72	80	88	96	100	108	120
17339	SECTION, H & S END-RH (TS)	1	1	1	1	1	1	1	1	1
24911	HOLD DOWN (SPRING LOADED HEAD)	11	14	17	19	21	23	24	26	29
17329	WEAR PLATE (6")	11	14	17	19	21	23	24	26	29
22523	SHIM (.010)	11	14	17	19	21	23	24	26	29
21592	SHIM (.105)	11	14	17	19	21	23	24	26	29
VARIOUS	KNIFEBACK	2	2	3	3	3	3	3	4	4
15378	BOLT, 3/8 X 1-1/4" CARRIAGE	26	32	38	42	46	50	52	56	62
15058	BOLT, 3/8 X 1-1/2" CARRIAGE	22	28	34	38	42	46	48	52	58
15051	NUT, 3/8" SERR. FLANGE	48	60	72	80	88	96	100	108	120

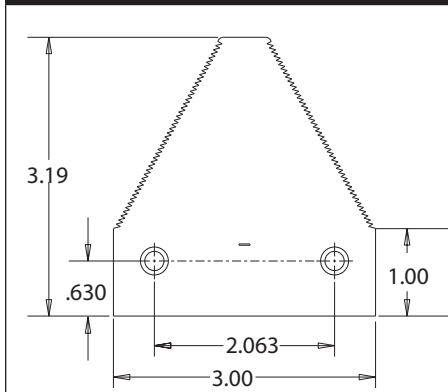
PARTS ILLUSTRATIONS

GUARDS		
 <p>PN 7222 - GUARD, GOLD</p>	 <p>PN 7225 - GUARD, GOLD</p>	 <p>PN 7226 - GUARD, GOLD</p>
 <p>PN 7228 - GUARD, GOLD</p>	 <p>PN 7229 - GUARD, GOLD</p>	 <p>PN 13454-00 - GUARD, SINGLE POINT</p>
 <p>PN 21228 - GUARD, 3-POINT</p>	 <p>PN 21549 - GUARD, 3-POINT</p>	 <p>PN 21579 - GUARD, 3-POINT</p>
 <p>PN 22063 - GUARD, HEAD</p>	 <p>PN 22064 - GUARD, HEAD</p>	 <p>PN 22534 - GUARD, SINGLE POINT</p>

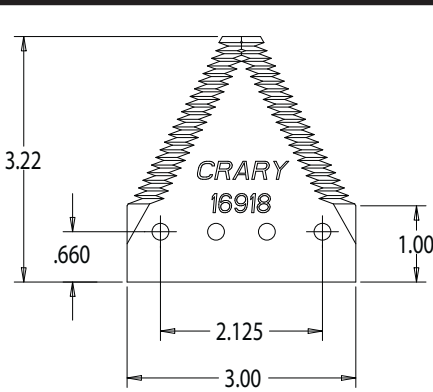
GUARDS



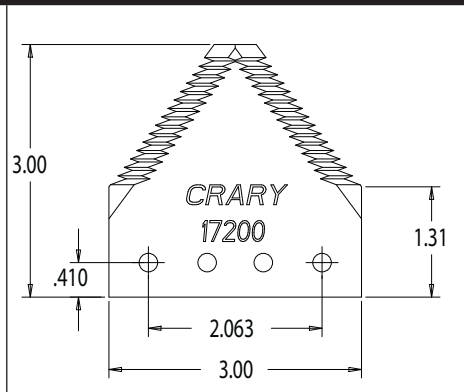
BEARCUT SECTIONS



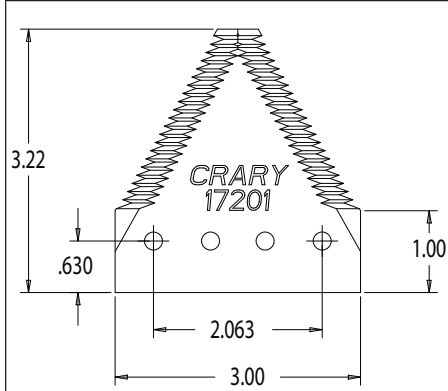
PN 16009 - SECTION, OVERLAP



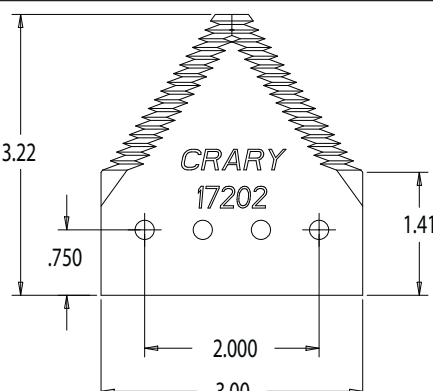
PN 16918 - SECTION, GOLD (BC)



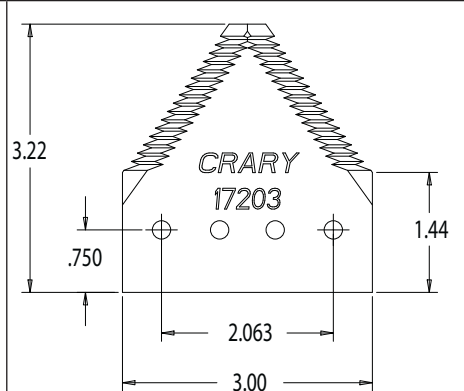
PN 17200 - SECTION, GOLD (BC)



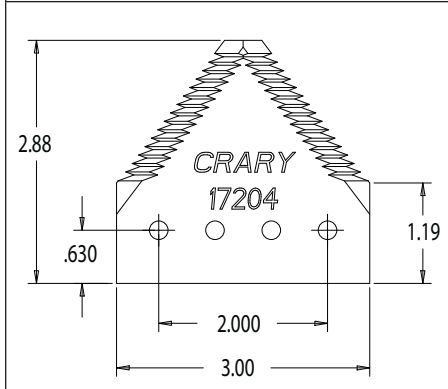
PN 17201 - SECTION, GOLD (BC)



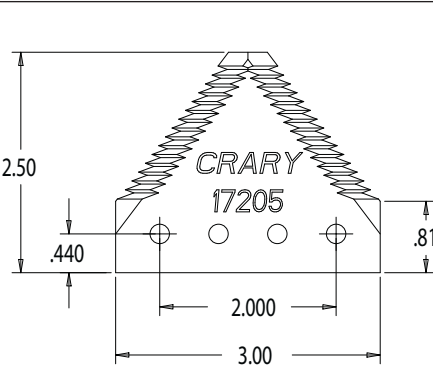
PN 17202 - SECTION, GOLD (BC)



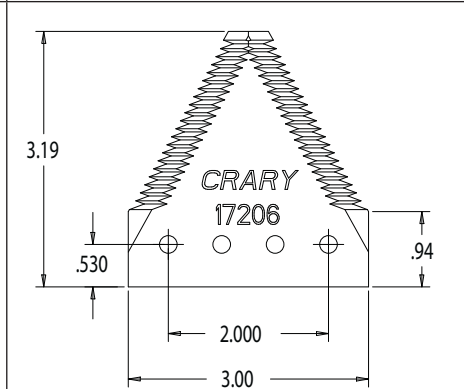
PN 17203 - SECTION, GOLD (BC)



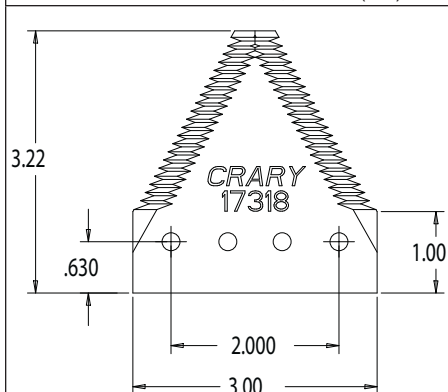
PN 17204 - SECTION, GOLD (BC)



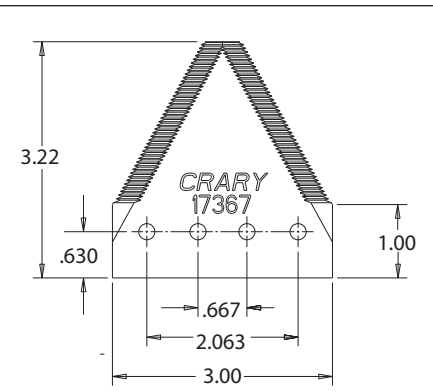
PN 17205 - SECTION, GOLD (BC)



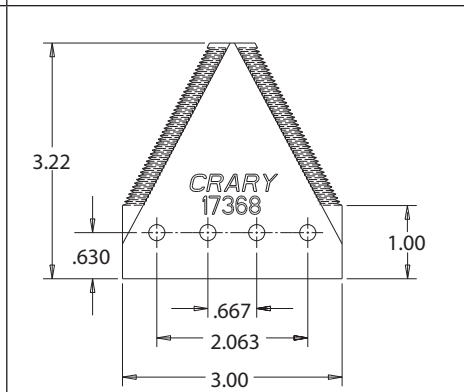
PN 17206 - SECTION, GOLD (BC)



PN 17318 - SECTION, GOLD (BC)



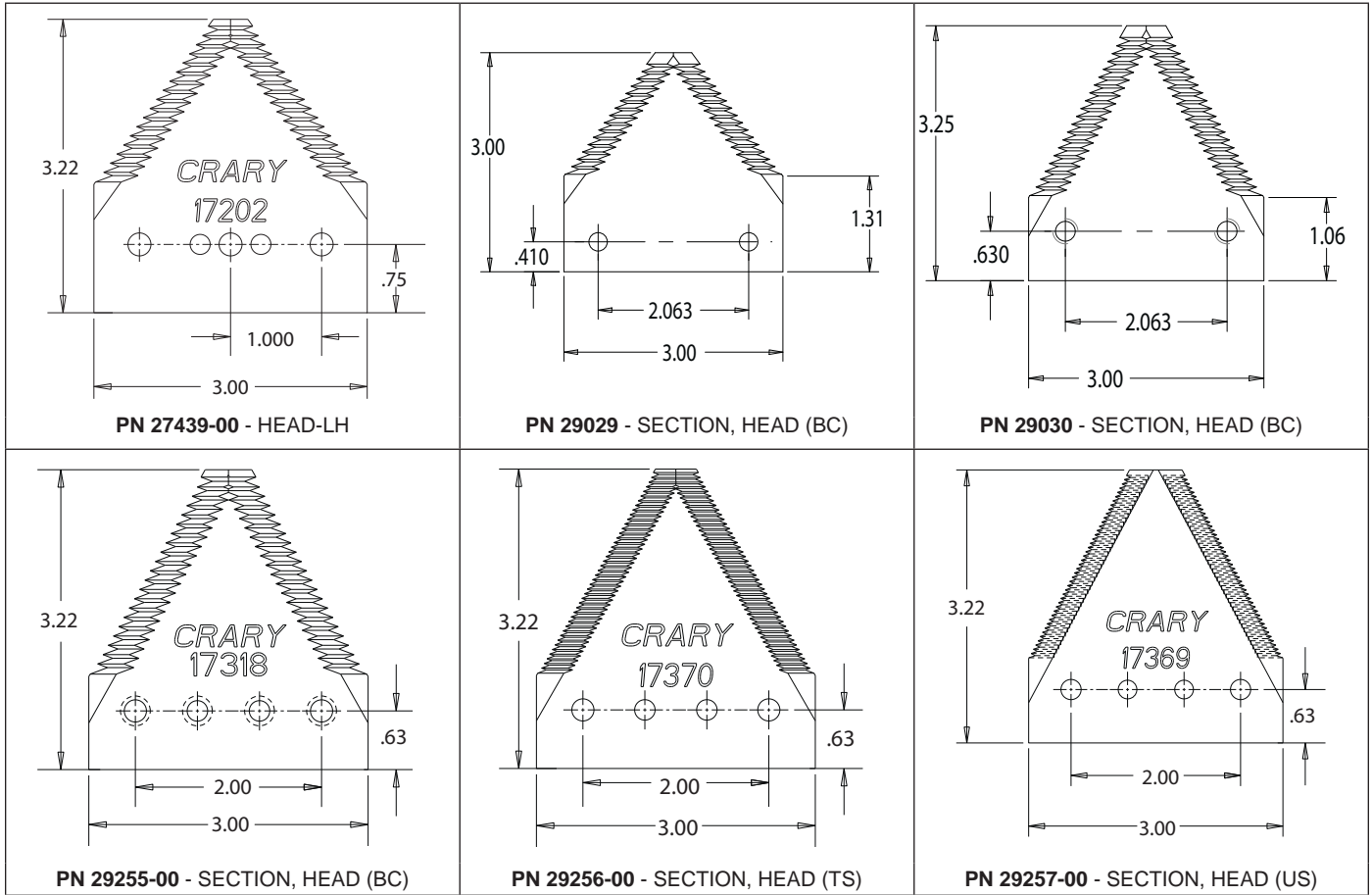
PN 17367 - GOLD (TS)



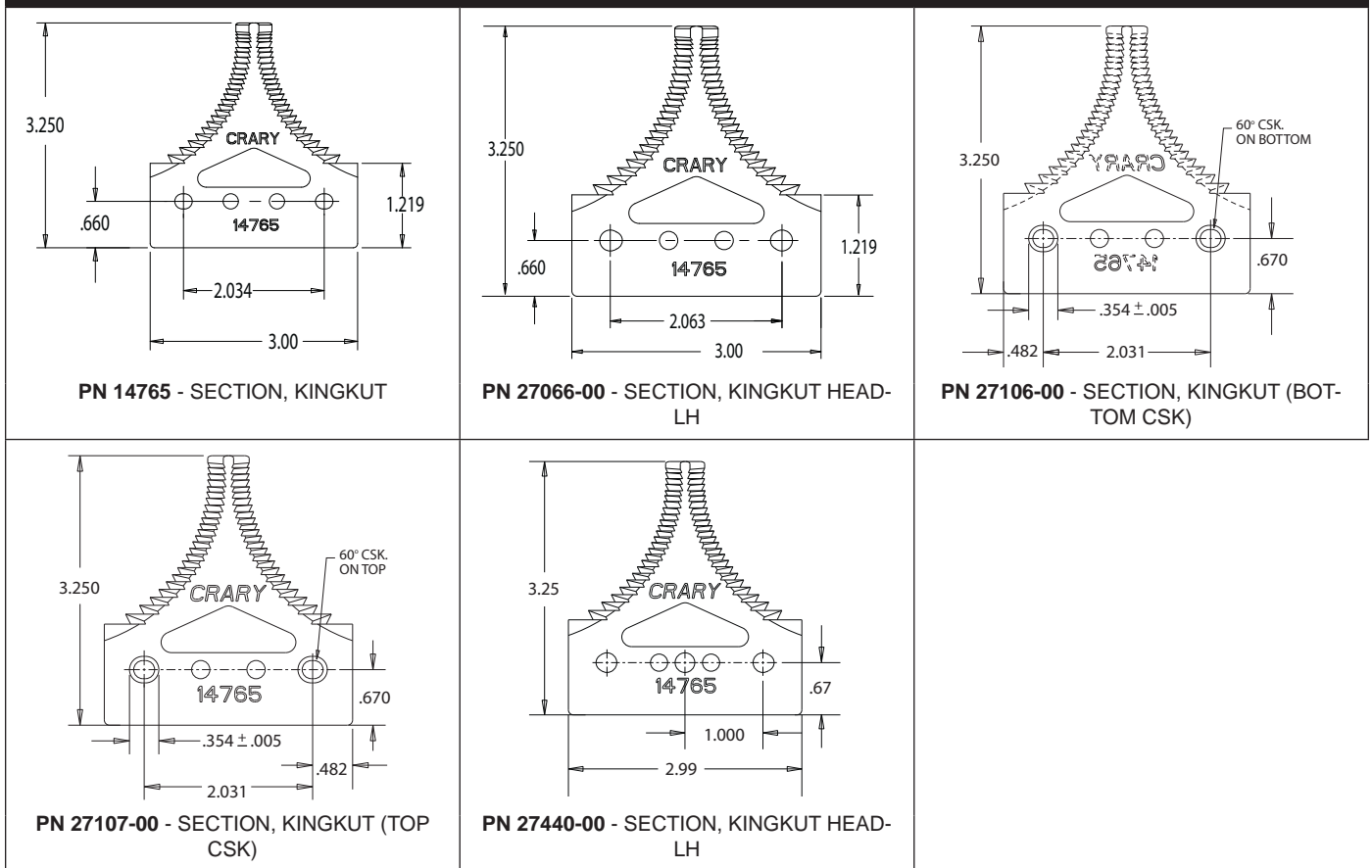
PN 17368 - GOLD (US)

PARTS ILLUSTRATIONS

<p>PN 17369 - GOLD (US)</p>	<p>PN 17370 - GOLD (TS)</p>	<p>PN 17420 - GOLD (BOTTOM CSK)</p>
<p>PN 17424 - GOLD (TOP CSK)</p>	<p>PN 17425 - GOLD (BOTTOM CSK)</p>	<p>PN 17877 - GOLD (TS)</p>
<p>PN 17878 - GOLD (US)</p>	<p>PN 24549 - SECTION, HEAD (BC) (TOP CSK)</p>	<p>PN 24745 - SECTION, HEAD (US)</p>
<p>PN 24746 - SECTION, HEAD (US)</p>	<p>PN 24981 - SECTION, GOLD (BC) (TOP CSK)</p>	<p>PN 25963-00 - SECTION, OVERLAP (SAW-TOOTH)</p>



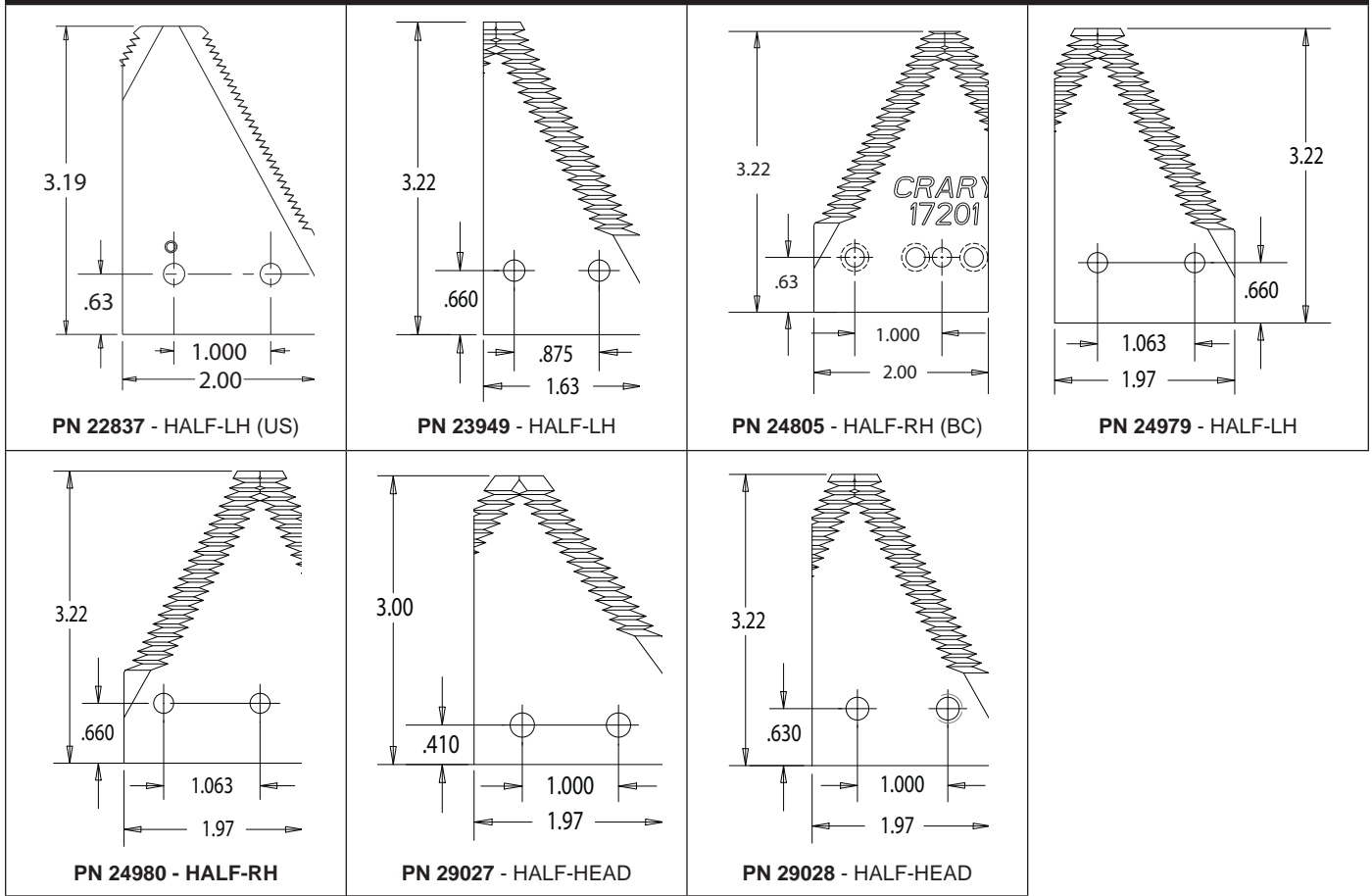
KINGKUT SECTIONS



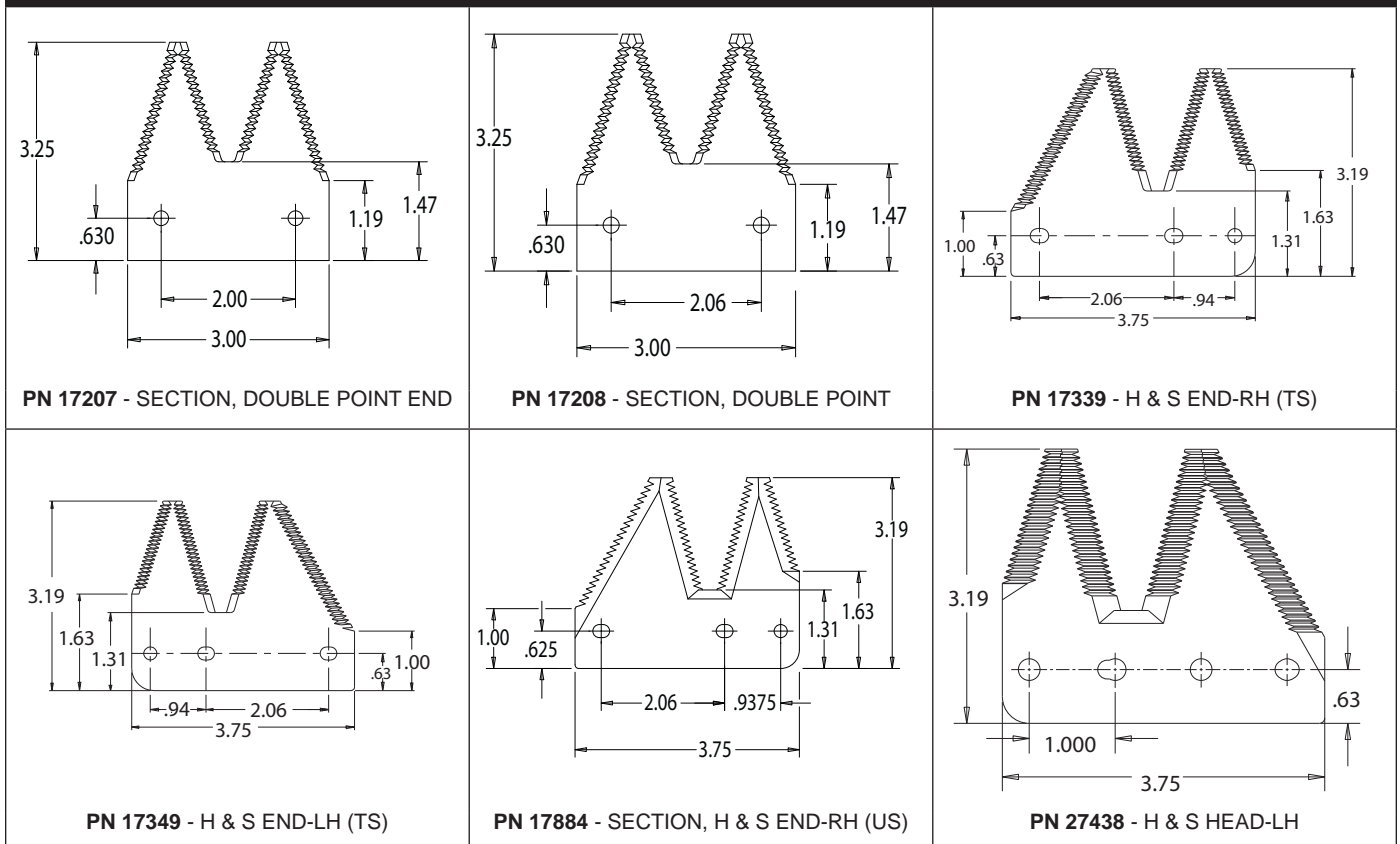
HALF SECTIONS

<p>PN 17336 - HALF-RH</p>	<p>PN 17337 - HALF-RH</p>	<p>PN 17338 - HALF-LH</p>	<p>PN 21553 - HALF-LH</p>
<p>PN 21554 - HALF-RH</p>	<p>PN 21556 - HALF-RH</p>	<p>PN 21589 - HALF-LH (TS)</p>	<p>PN 21590 - HALF-LH (US)</p>
<p>PN 21767 - HALF-LH</p>	<p>PN 22525 - HALF-RH</p>	<p>PN 22526 - HALF-LH</p>	<p>PN 22618 - HALF-LH</p>
<p>PN 22786 - HALF-LH (TS)</p>	<p>PN 22834 - HALF-RH (TS)</p>	<p>PN 22835 - HALF-RH (US)</p>	<p>PN 22836 - HALF-LH (TS)</p>

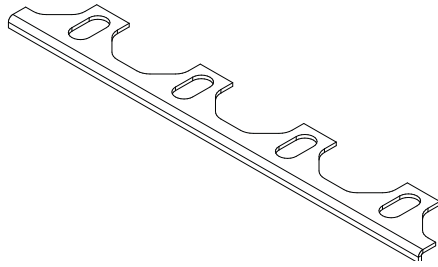
HALF SECTIONS



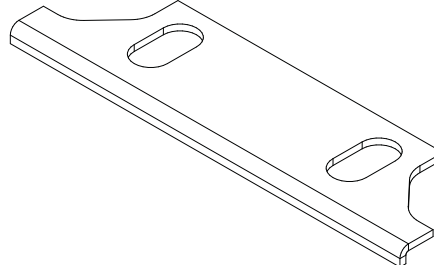
H & S / DOUBLE POINT SECTIONS



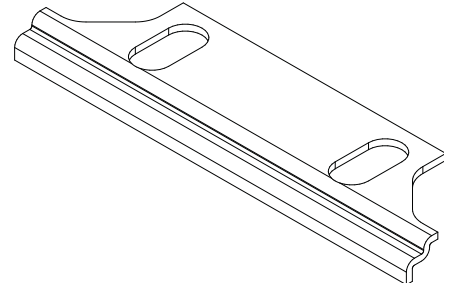
WEAR PLATES



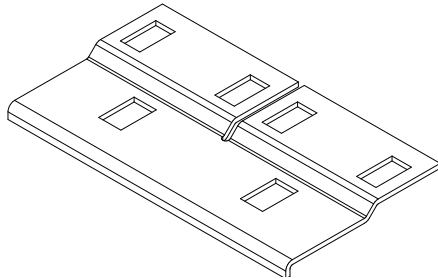
PN 16658 - WEAR PLATE (12")



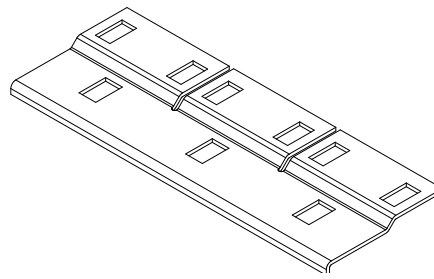
PN 17329 - WEAR PLATE (6")



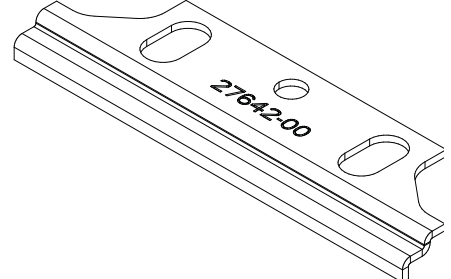
PN 24261 - WEAR PLATE, OFFSET (6")



PN 24892-12 - PLATE, HD/WEAR (SHORT)

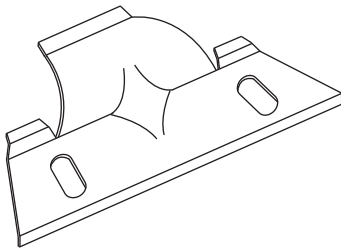


PN 24893-12 - PLATE, HD/WEAR (LONG)

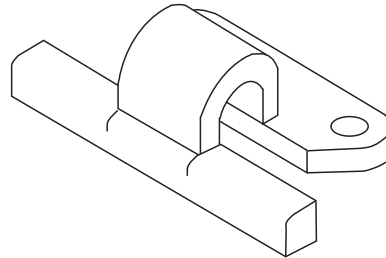


PN 27642-00 - WEAR PLATE, OFFSET (6")

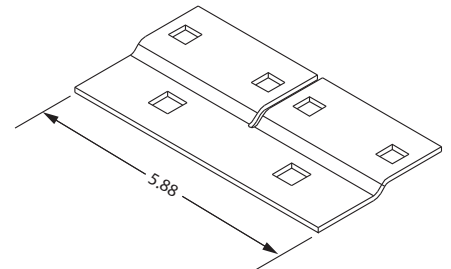
HOLD DOWNS



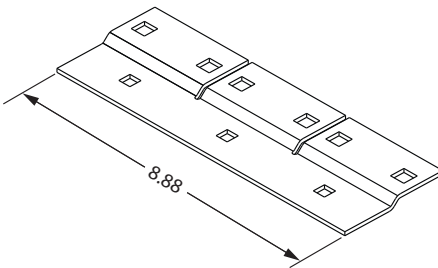
PN 17214 - HOLD DOWN CLIP



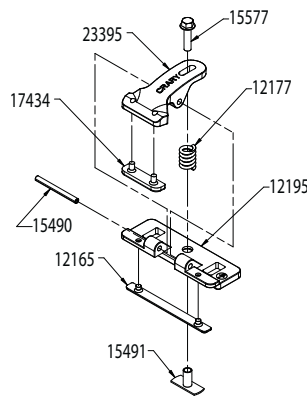
PN 17418 - HIGH HOLD DOWN CLIP



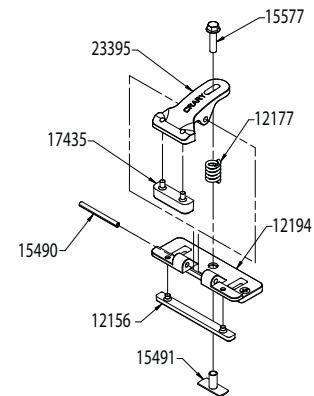
PN 23621 - HOLD DOWN PLATE (SHORT)



PN 23652 - HOLD DOWN PLATE (LONG)

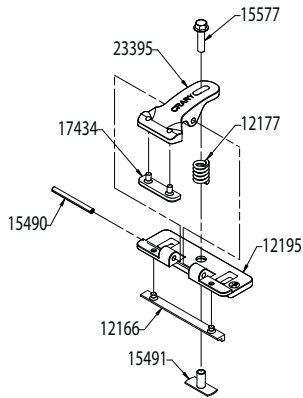


PN 24335 - HOLD DOWN (7/16" BASE)

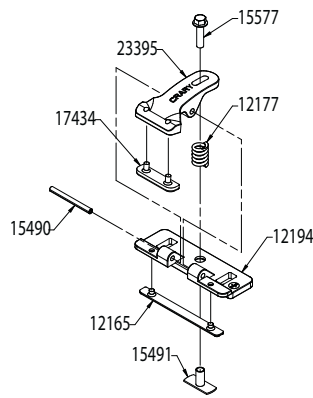


PN 24337 - HOLD DOWN (3/8" BASE)

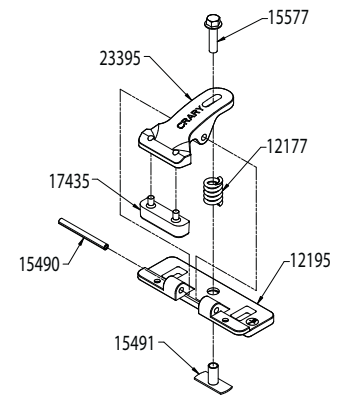
HOLD DOWNS



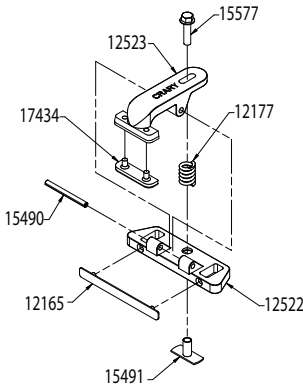
PN 24338 - HOLD DOWN (7/16" BASE)



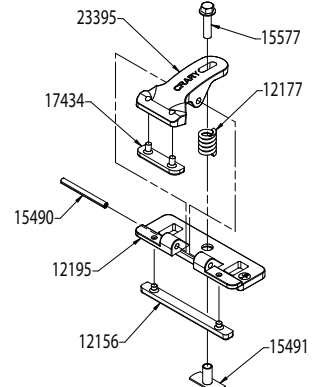
PN 24344 - HOLD DOWN (3/8" BASE)



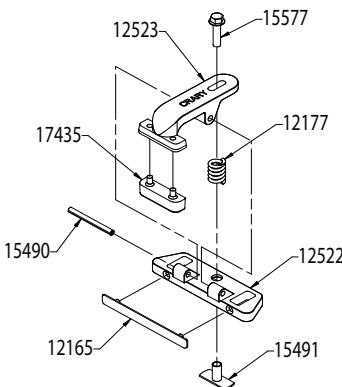
PN 24351 - HOLD DOWN (7/16" BASE)



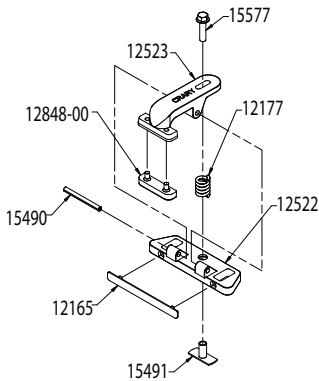
PN 24911 - HEAD HOLD DOWN (3/8" BASE)



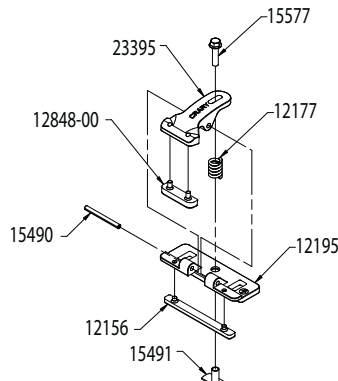
PN 25347 - HOLD DOWN (7/16" BASE)



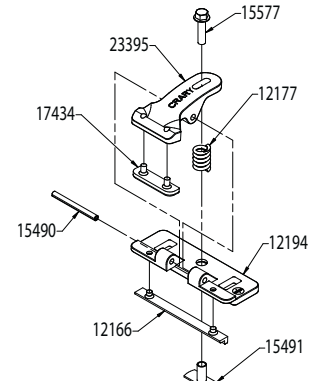
PN 25348 - HEAD HOLD DOWN (3/8" BASE)



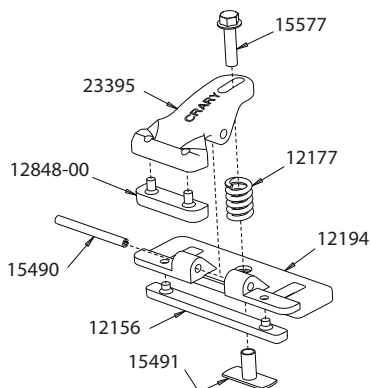
PN 25454 - HEAD HOLD DOWN (7/16" BASE)



PN 25615 - HOLD DOWN (7/16" BASE)

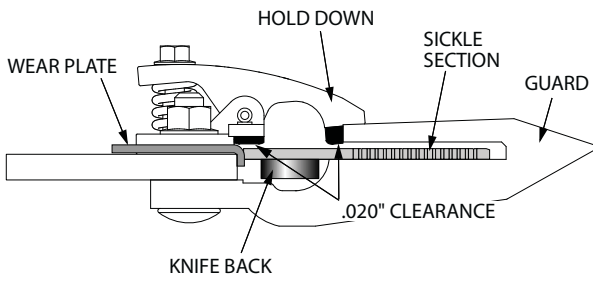


PN 25724 - HOLD DOWN (3/8" BASE)

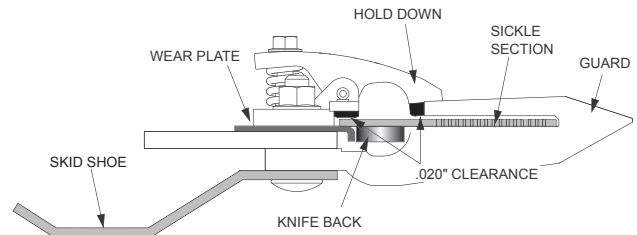


PN 27994 - HOLD DOWN (3/8" BASE)

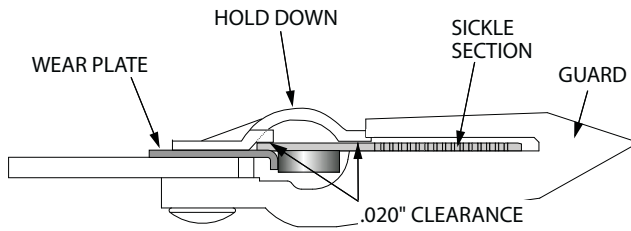
HOLD DOWN CLEARANCE



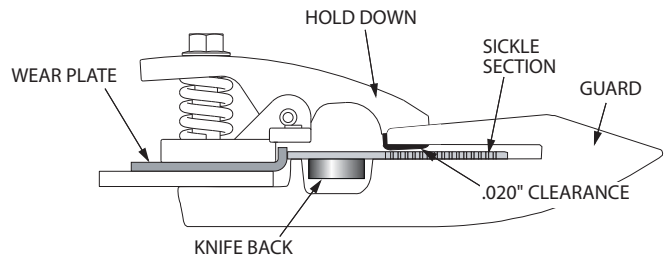
7222 GUARD / 24344 HOLD DOWN



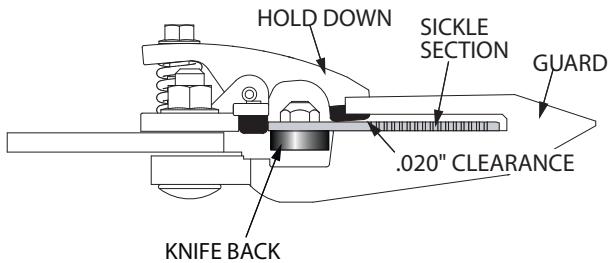
7222 GUARD / 24344 HOLD DOWN W/ SKID SHOE (JD 600 SERIES)



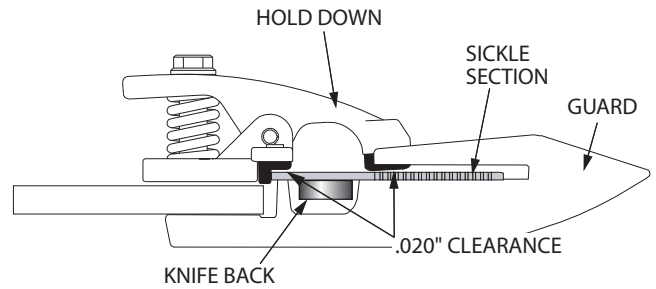
7222 GUARD / 17214 HOLD DOWN



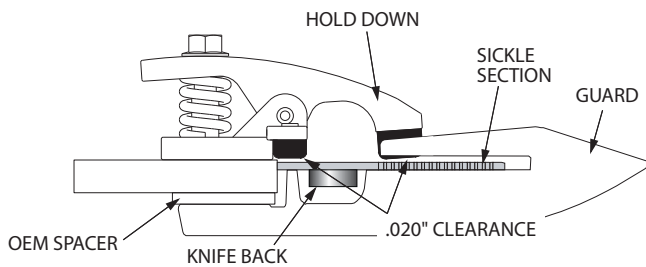
7225 GUARD / 24351 HOLD DOWN



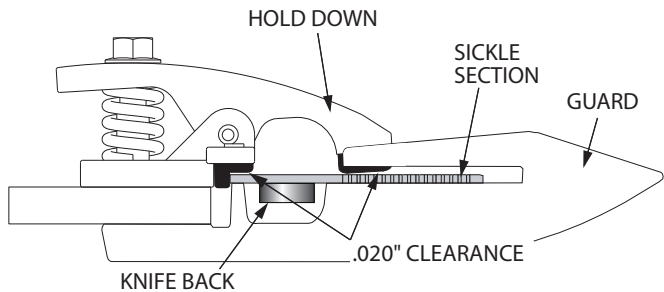
7226 GUARD / 24337 HOLD DOWN



7228 GUARD / 24338 HOLD DOWN

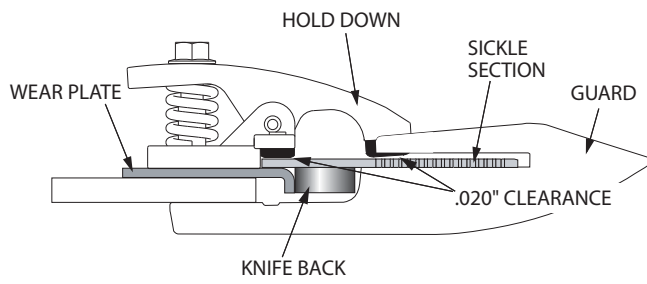


7228 GUARD / 25615 HOLD DOWN

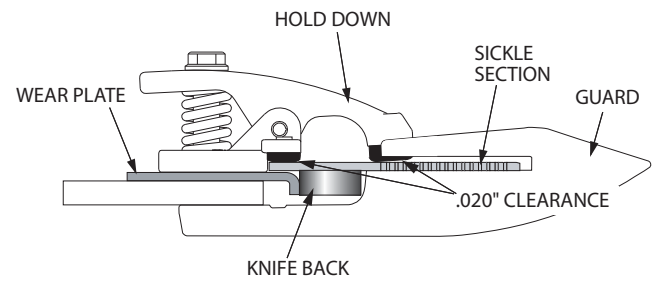


7228 GUARD / 25724 HOLD DOWN

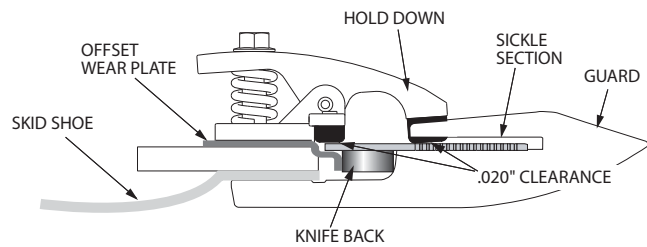
HOLD DOWN CLEARANCE



7229 GUARD / 24335 HOLD DOWN



7229 GUARD / 24344 HOLD DOWN

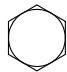

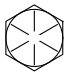
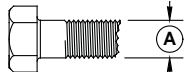


7229 GUARD / 25615 HOLD DOWN W/SKID SHOE (CASE 1020)

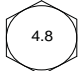
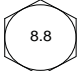


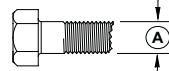
SPECIFICATIONS

CHECKING BOLT TORQUE:

The table shown below is for reference purposes only and its use by anyone is entirely voluntary, unless otherwise noted. Reliance on its contents for any purpose is at the sole risk of that person. Cray Co. is not responsible for any loss claim or damage arising therefrom. In developing these tables, Cray has made a determined effort to present the contents accurately.

SAE Grade and Head Markings	SAE - 2	SAE - 5	SAE - 8	BOLT DIAMETER
				

ENGLISH						
BOLT DIAMETER	BOLT TORQUE *					
	SAE 2		SAE 5		SAE 8	
	N.m	Ft-lb.	N.m	Ft-lb.	N.m	Ft-lb.
1/4"	7.5	5.5	11	8	16	12
5/16"	15	11	23	17	34	25
3/8"	27	20	41	30	61	45
7/16"	41	30	68	50	95	70
1/2"	68	50	102	75	149	110
9/16"	97	70	149	110	203	150
5/8"	122	90	203	150	312	230
3/4"	217	160	353	260	515	380
7/8"	230	170	542	400	814	600
1"	298	220	786	580	1220	900
1-1/8"	407	300	1085	800	1736	1280
1-1/4"	570	420	2631	1940	2468	1820

METRIC Grade and Head Markings	4.8	8.8	10.9	12.9	BOLT DIAMETER
					

METRIC								
BOLT DIAMETER	BOLT TORQUE *							
	4.8		8.8		10.9		12.9	
	N.m	Ft-lb.	N.m	Ft-lb.	N.m	Ft-lb.	N.m	Ft-lb.
M3	0.5	0.4	-	-	-	-	-	-
M4	3	2.2	-	-	-	-	-	-
M5	5	4	-	-	-	-	-	-
M6	6	4.5	11	8.5	17	12	19	14.5
M8	15	11	28	20	40	30	47	35
M10	29	21	55	40	80	60	95	70
M12	50	37	95	70	140	105	165	120
M14	80	60	150	110	225	165	260	190
M16	125	92	240	175	350	255	400	300
M18	175	125	330	250	475	350	560	410
M20	240	180	475	350	675	500	800	580
M22	330	250	650	475	925	675	1075	800
M24	425	310	825	600	1150	850	1350	1000
M27	625	450	1200	875	1700	1250	2000	1500

Torque figures indicated above are valid for non-greased or non-oiled threads and heads unless otherwise specified. Therefore, do not grease or oil bolts or cap screws unless otherwise specified in this manual. When using locking elements, increase torque values by 5%.

* Torque value for bolts and capscrews are identified by their head markings.



Crary Industries

237 12th St. NW • P.O. Box 849

West Fargo, ND 58078-0849

(701)282-5520 • FAX: (701)282-9522

www.crary.com